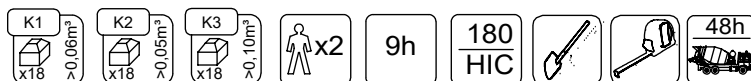
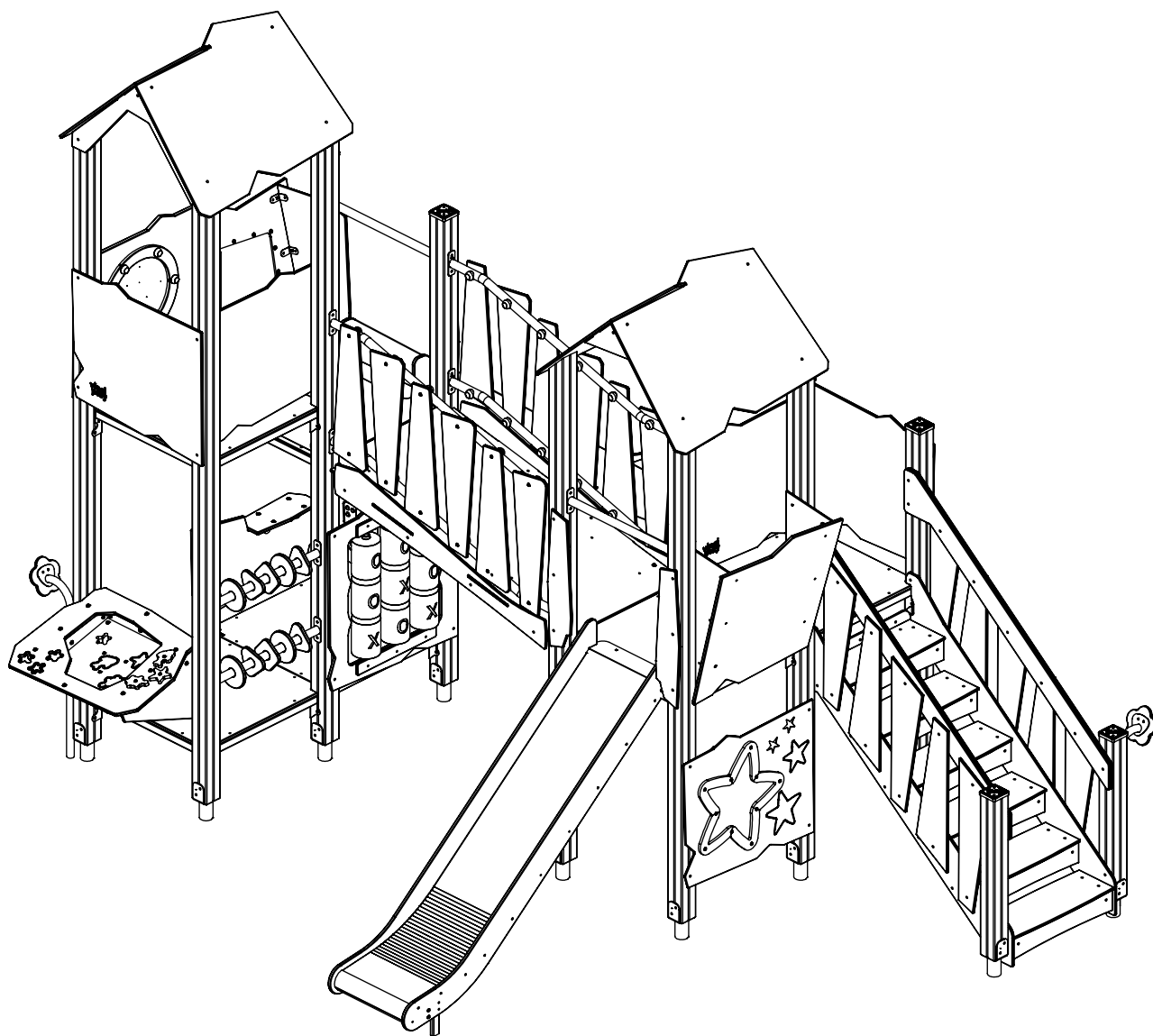
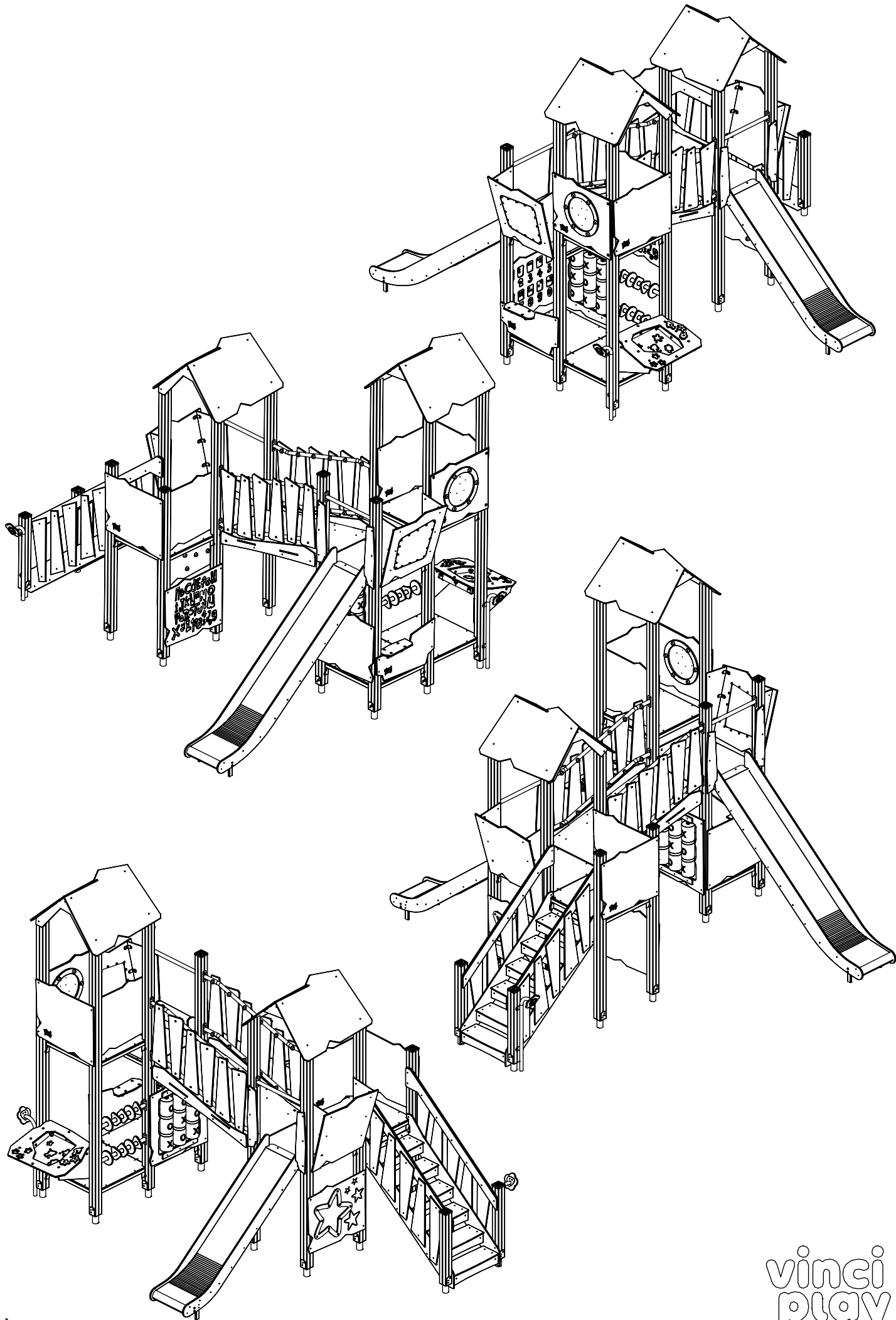


# WD/RC 1504



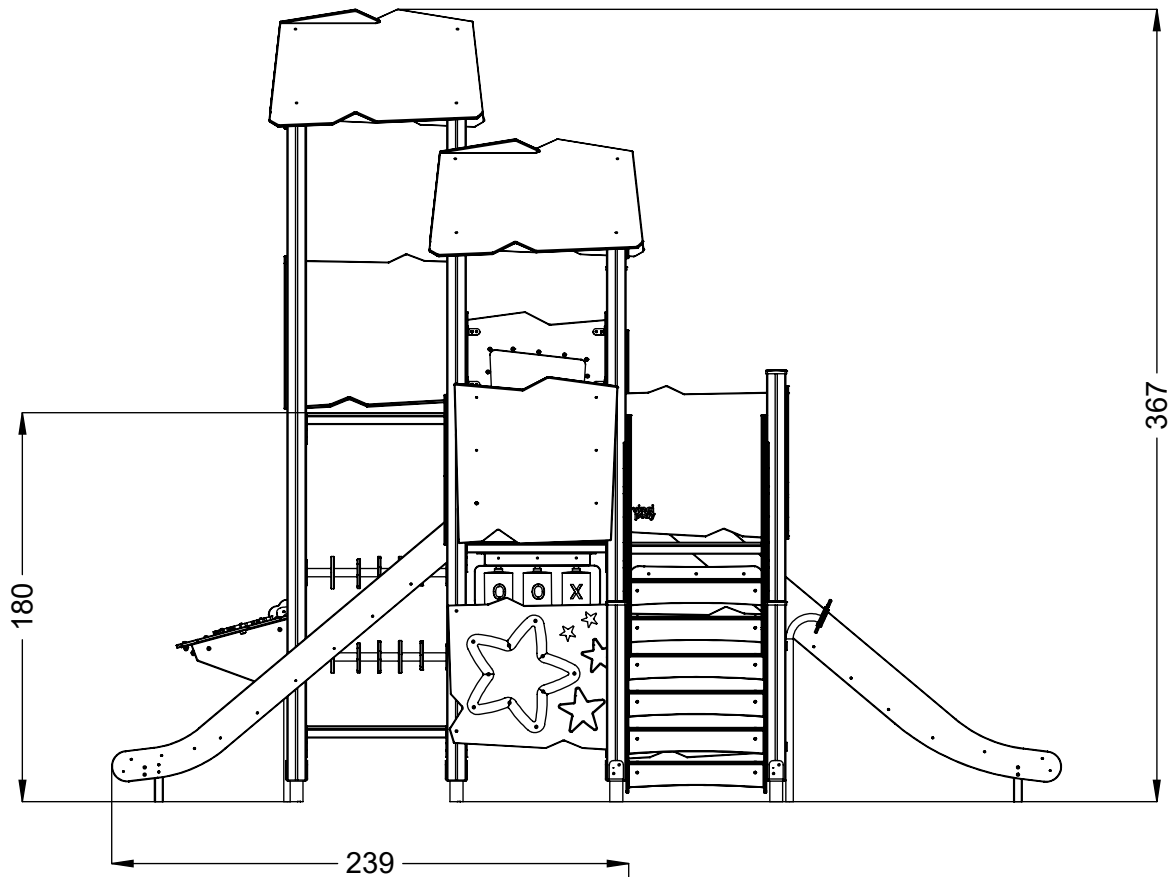
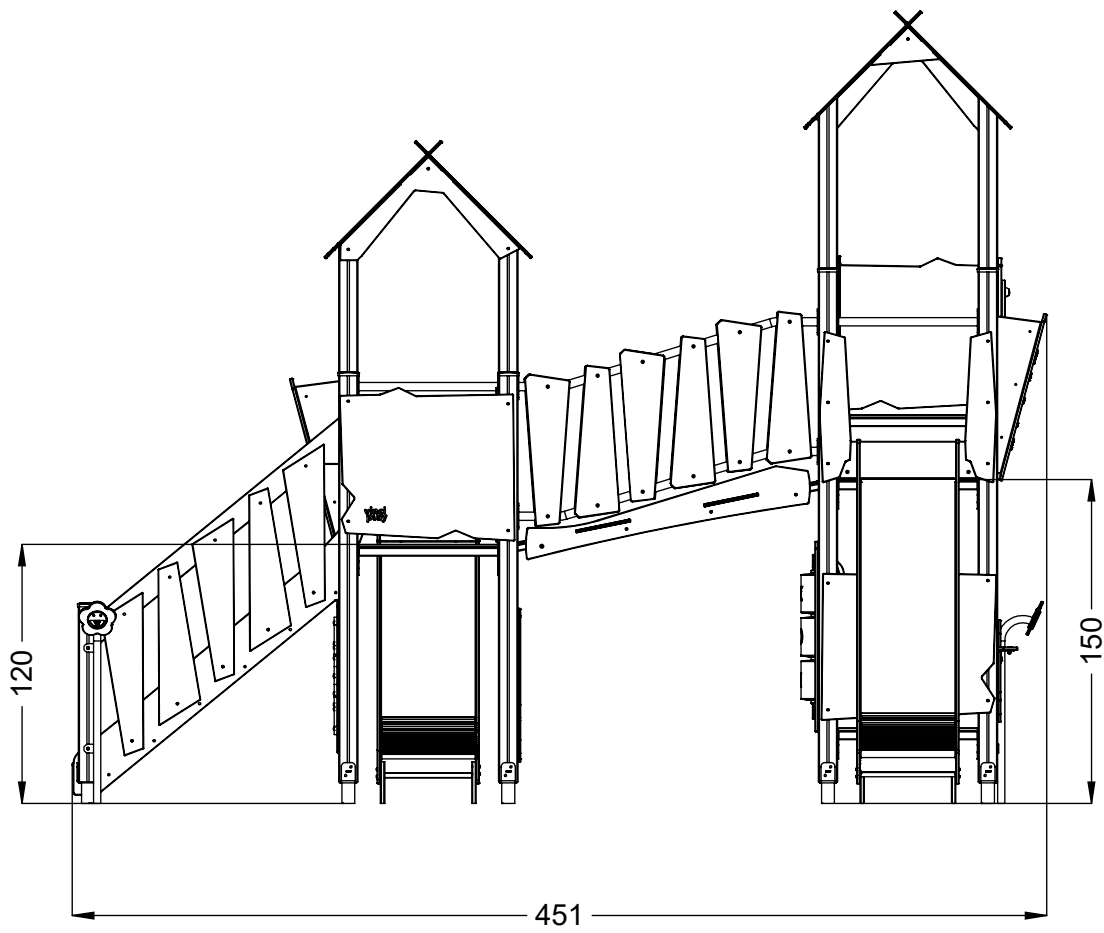
v016  
24.11.2023  
M.L.  
[cm]

vinci  
play



[cm]

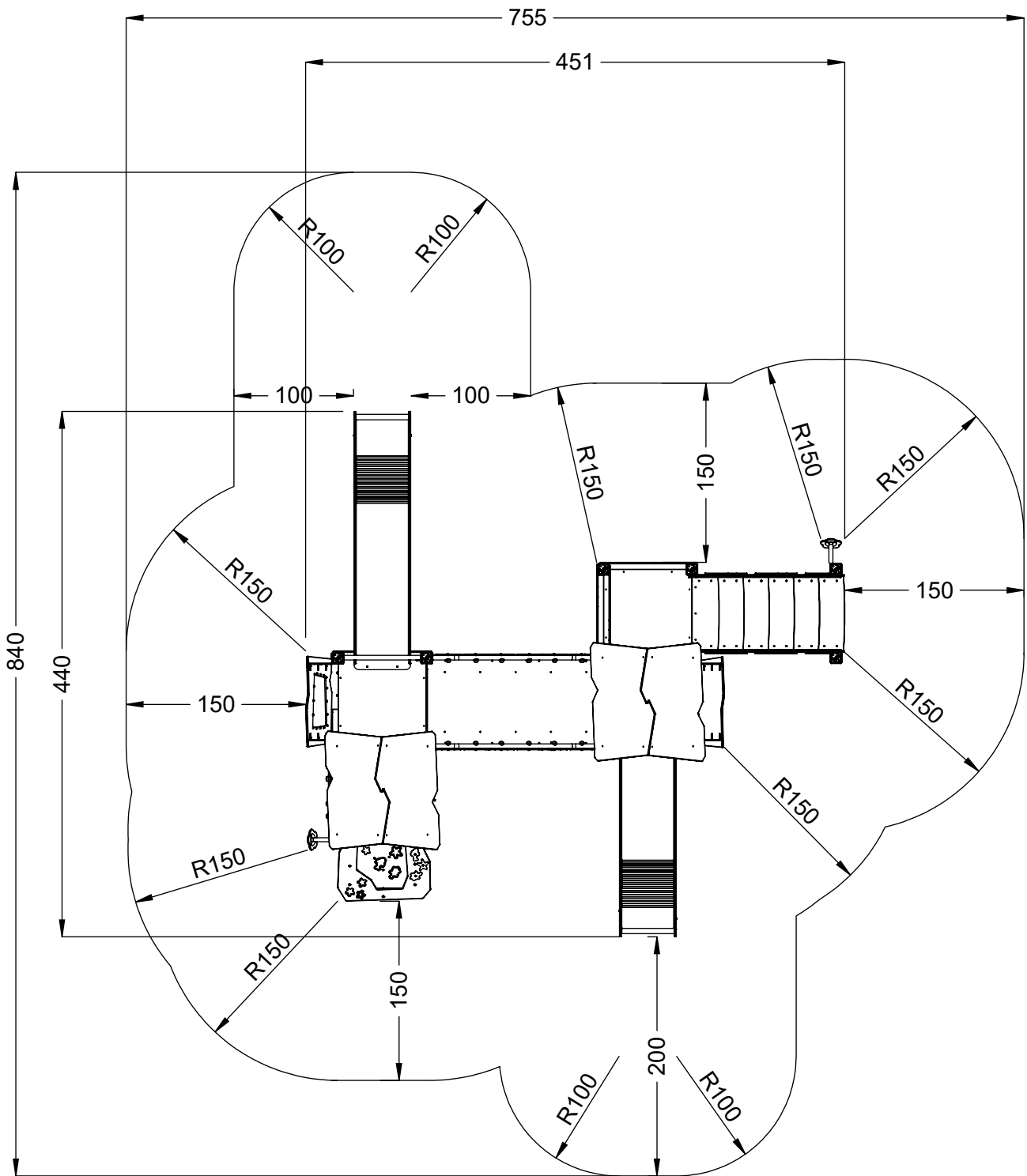
vinci  
play



[cm]



vinci  
play



[cm]



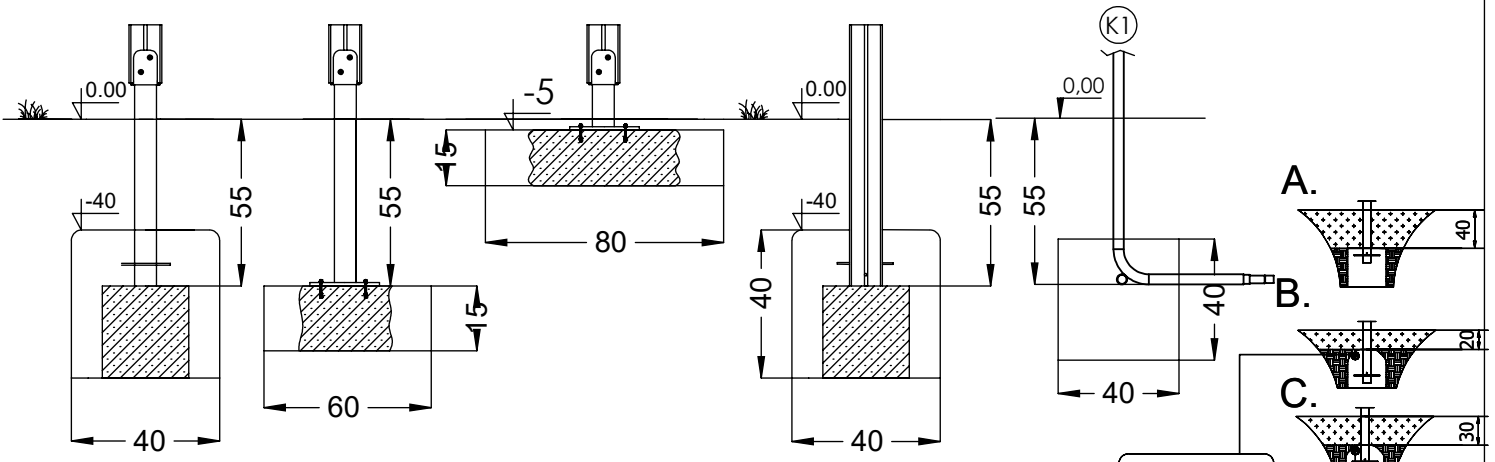
vinci  
play

K1-(W)

K2

K3

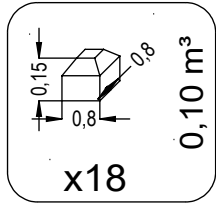
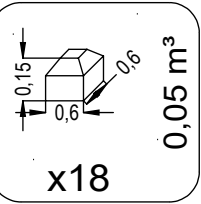
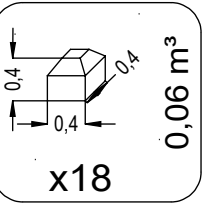
K1-(R)



K1

K2

K3



66x M10x120 (K2)  
70x M10x120 (K3)



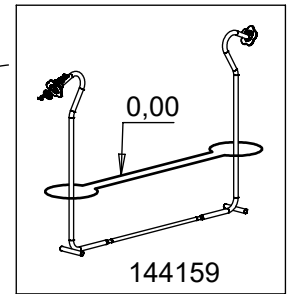
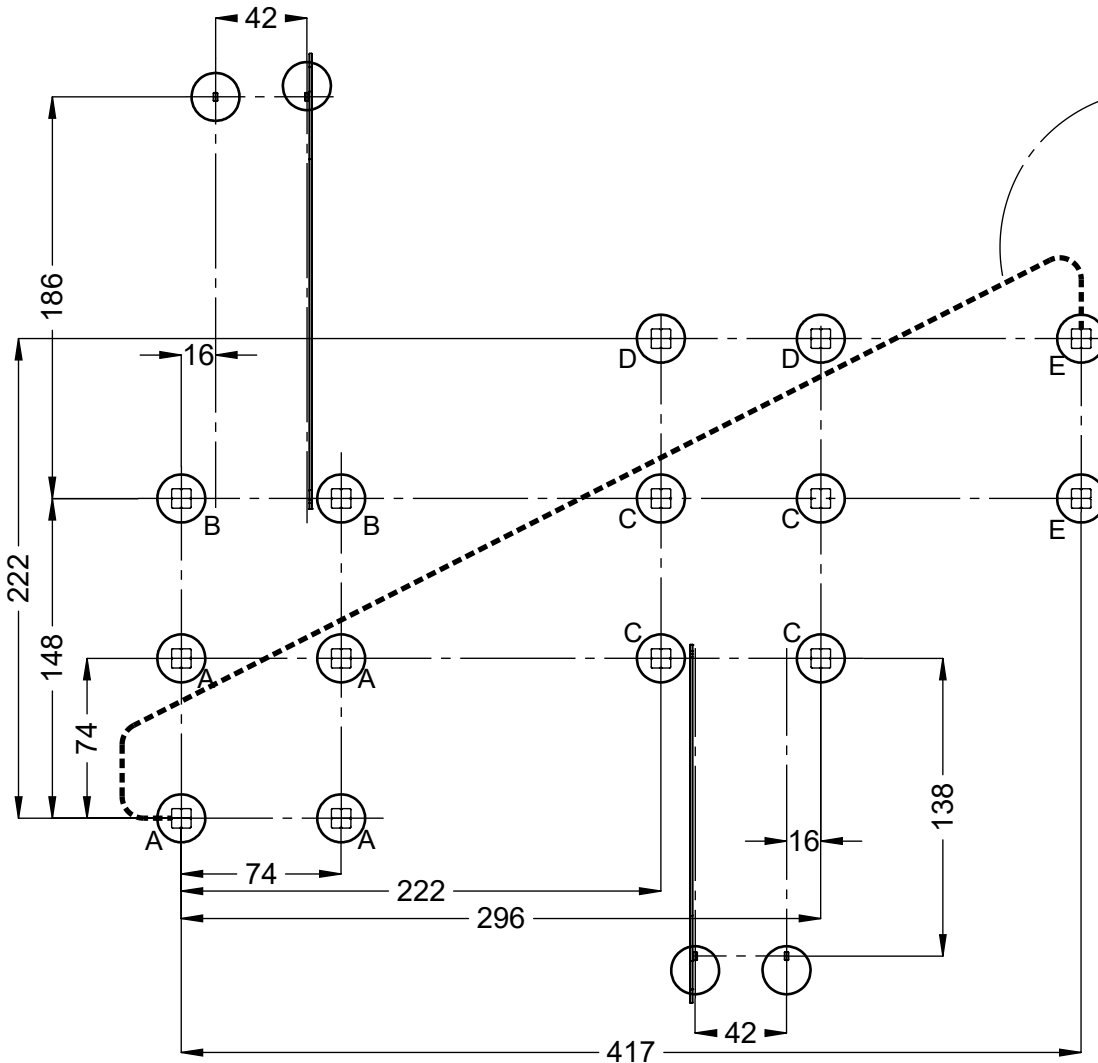
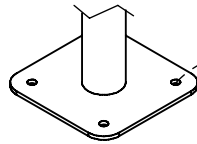
**NOT INCLUDED**



4x M8x120 (K2)



**NOT INCLUDED**



[cm]



9h



48h



K1 x18 >0.06m³



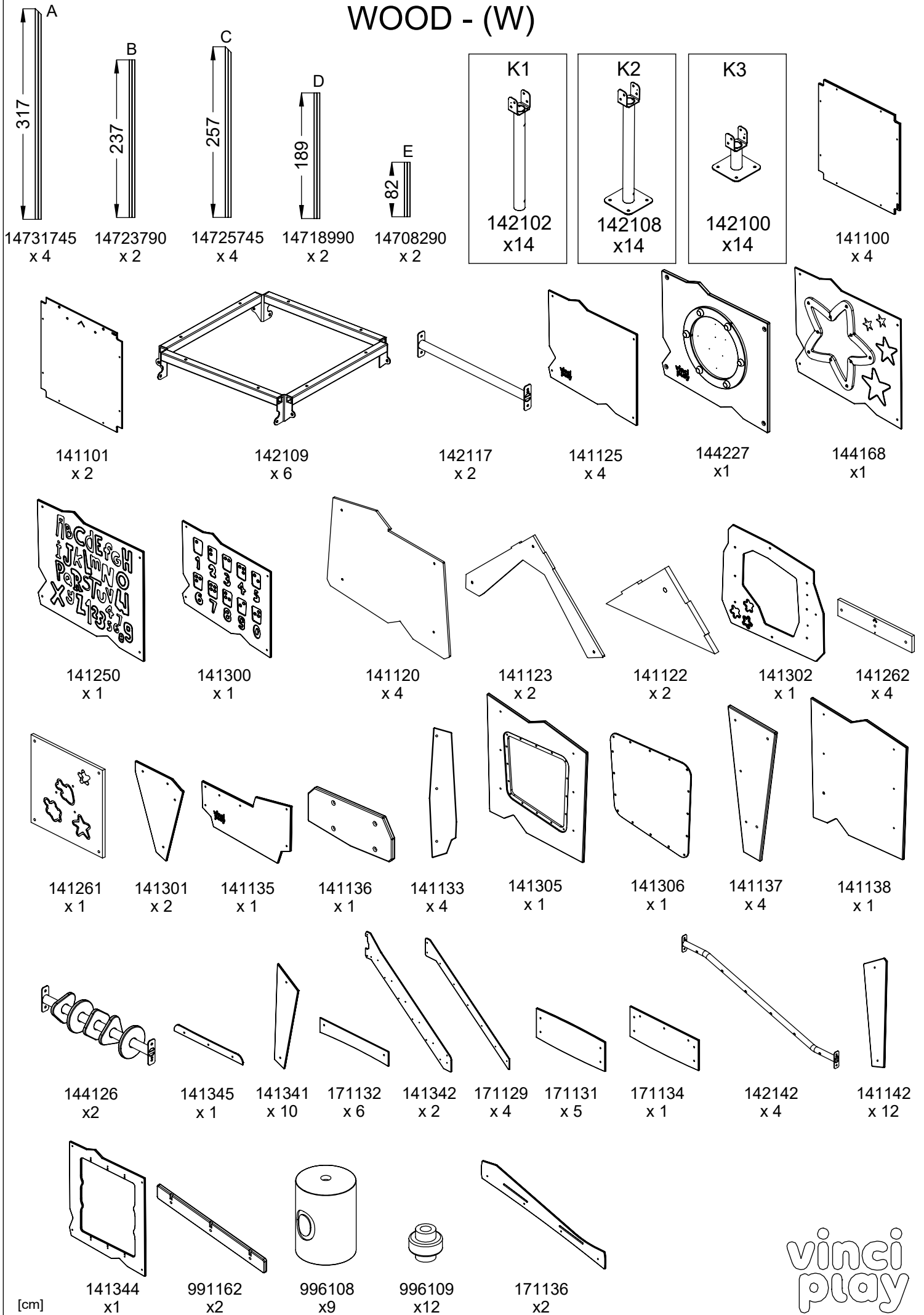
K2 x18 >0.05m³



K3 x18 >0.10m³

vinci  
play

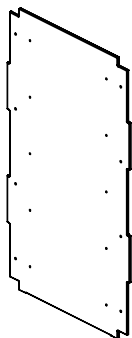
# WOOD - (W)



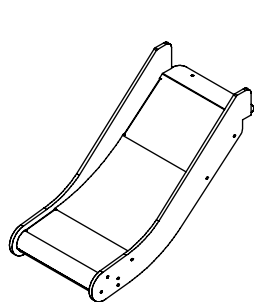
[cm]

vinci  
play

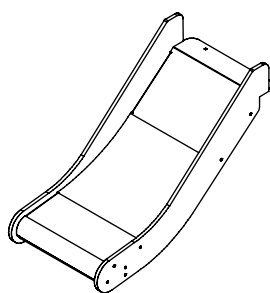
# WOOD - (W)



171135  
x1



994104  
x1



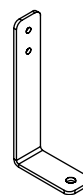
994105  
x1

K1, K2

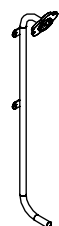


P78  
x4

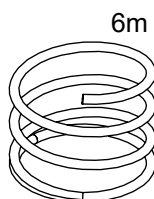
K3



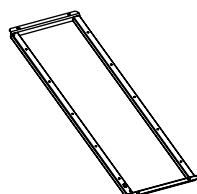
b219-2  
x4



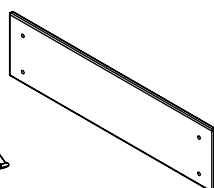
144159  
x2



996115  
x1



172106  
x1



141366  
x1

S6	S6	S6	S6
141103 x2	171233 x2	994163 x1	994164 x1

		PLYWOOD / HDPE		HPL	
228x	8x50 sxi	2x	WD72	2x	WD73
6x	8x80 sxt	4x	WD76	4x	WD77
2x	WD79	1x	WD60	1x	WD61
1x	WD56	1x	WD58	1x	WD55
2x	WD54	2x	WD33	2x	WD34
1x	WD45	1x	WD65	1x	WD90
2x	WD138	2x	WD28 <sub>(S1)</sub>	2x	WD29 <sub>(S1)</sub>
1x	WD91	2x	WD113 <sub>(S6)</sub>	2x	WD114 <sub>(S6)</sub>
1x	WD103	1x	CE19	1x	CL19
6x	WD97	1x	WE128	1x	WL128
2x	E34 <sub>(K1,K3)</sub>	1x	WD106	1x	WD107
2x	E35 <sub>(K2)</sub>	1x	WD108	1x	WD109
2x	Z18	1x	WD17	1x	WD18
1x	V001	1x	CE6	1x	CL6
6x	WD1	1x	WD148	1x	WD147
4x	i128-1	1x	WD150	1x	WD149
1x	WD210	1x	WD152	1x	WD151
		2x	WD182	2x	WD181
				2x	P061 S6

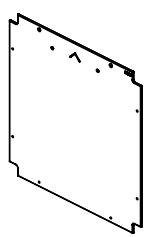
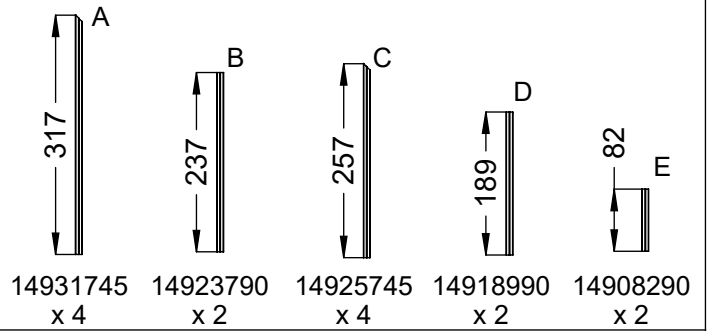
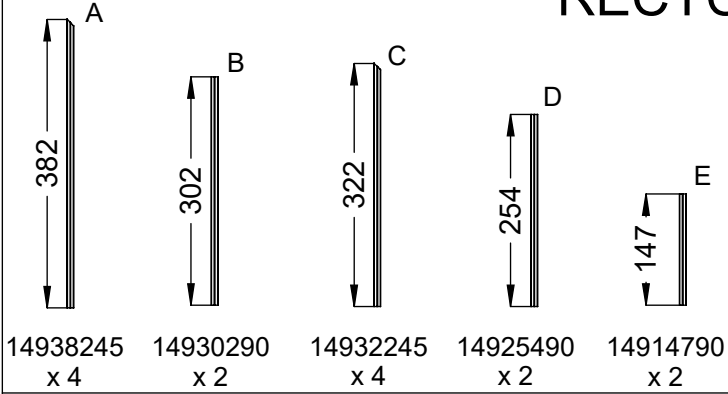
[cm]

vinci  
play

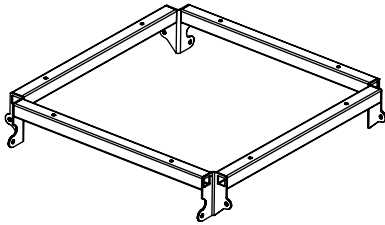
# RECYCLED - (R)

K1

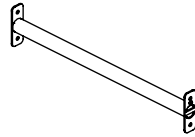
K2, K3



141101  
x 2



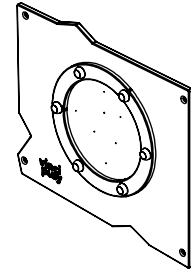
142109  
x 6



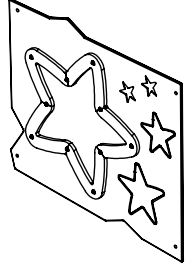
142117  
x 2



141125  
x 4



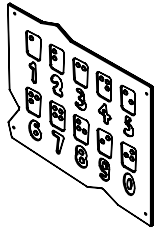
144227  
x 1



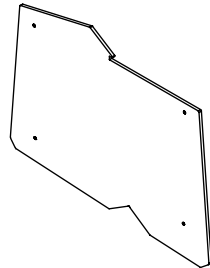
144168  
x 1



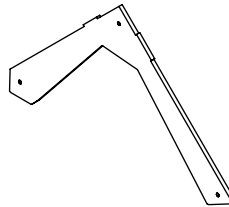
141250  
x 1



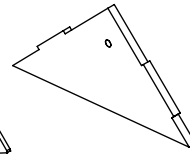
141300  
x 1



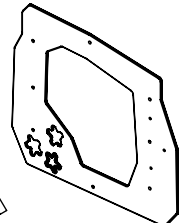
141120  
x 4



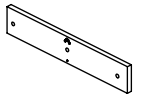
141123  
x 2



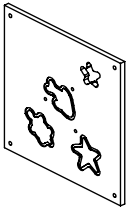
141122  
x 2



141302  
x 1



141262  
x 4



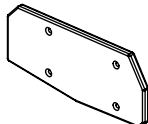
141261  
x 1



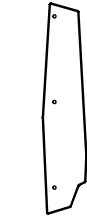
141301  
x 2



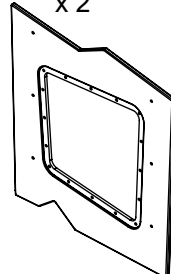
141135  
x 1



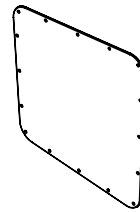
141136  
x 1



141133  
x 4



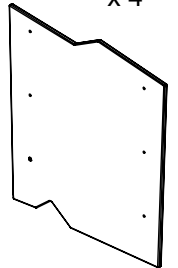
141305  
x 1



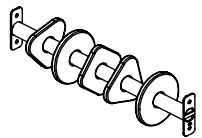
141306  
x 1



141137  
x 4



141138  
x 1



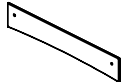
144126  
x 2



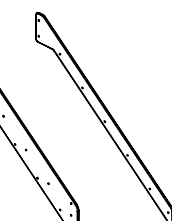
141345  
x 1



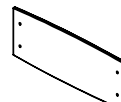
141341  
x 10



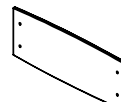
171132  
x 6



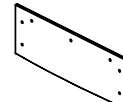
141342  
x 2



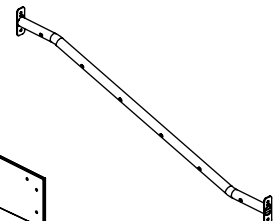
171129  
x 4



171131  
x 5



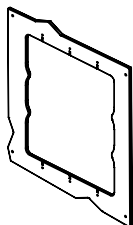
171134  
x 1



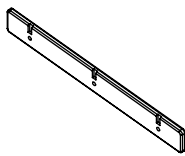
142142  
x 4



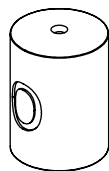
141142  
x 12



141344  
x 1



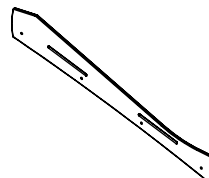
991162  
x 2



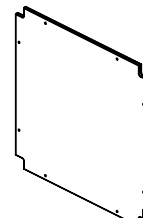
996108  
x 9



996109  
x 12



171136  
x 2



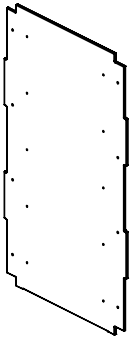
141100  
x 4

[cm]

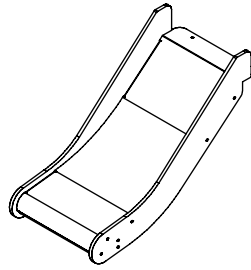
vinci play



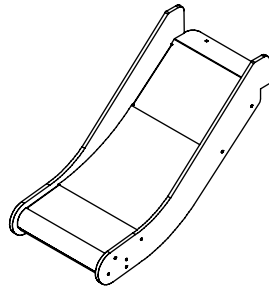
# RECYCLED - (R)



171135  
x1

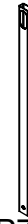


994104  
x1



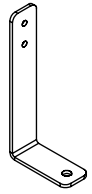
994105  
x1

K1, K2



P78  
x4

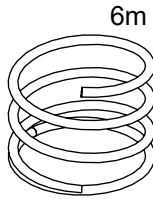
K3



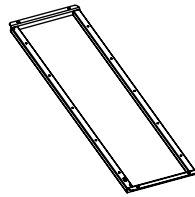
b219-2  
x4



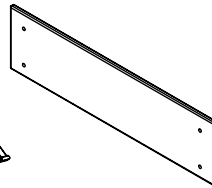
144159  
x2



996115  
x1

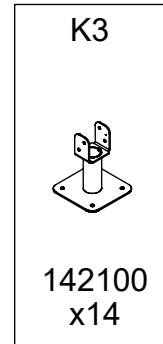
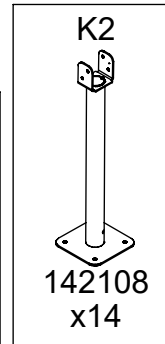


172106  
x1



141366  
x1

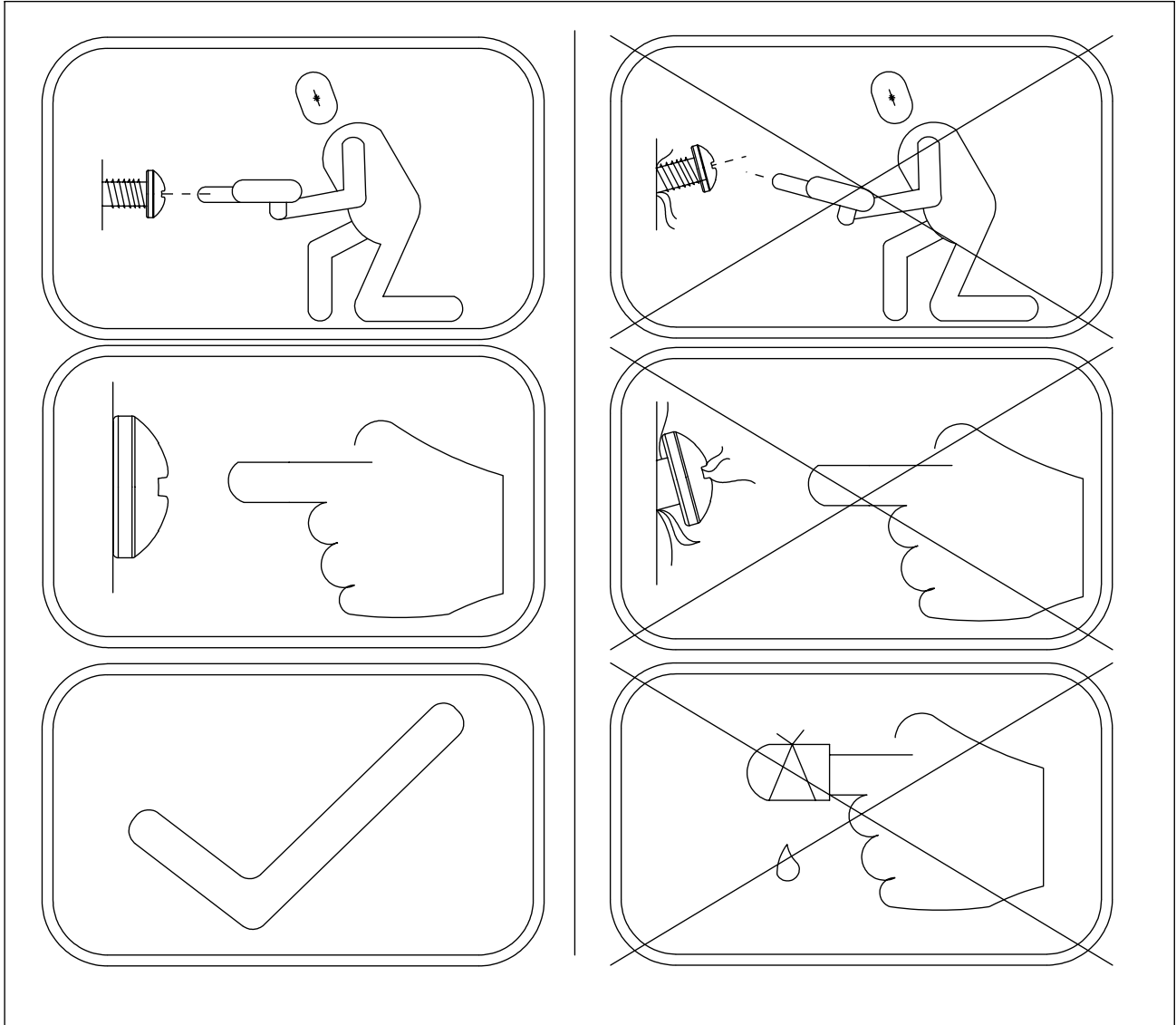
S6  141103 x2	S6  171233 x2	S6  994163 x1	S6  994164 x1
------------------------	------------------------	------------------------	------------------------



		PLYWOOD / HDPE		HPL	
56x	8x50 sxi (K2,K3)	2x	WD72	2x	WD73
172x	8x50 sxi	4x	WD76	4x	WD77
6x	8x80 sxt	1x	WD60	1x	WD61
2x	WD79	1x	WD58	1x	WD55
1x	WD56	2x	WD33	2x	WD34
2x	WD54	1x	WD65	1x	WD90
1x	WD45	2x	WD28 <sub>(S1)</sub>	2x	WD29 <sub>(S1)</sub>
2x	WD138	2x	WD113 <sub>(S6)</sub>	2x	WD114 <sub>(S6)</sub>
1x	WD91	1x	CE19	1x	CL19
1x	WD103	1x	WE128	1x	WL128
6x	WD97	1x	WD106	1x	WD107
2x	E34 <sub>(K1,K3)</sub>	1x	WD108	1x	WD109
2x	E35 <sub>(K2)</sub>	1x	WD17	1x	WD18
2x	Z18	1x	CE6	1x	CL6
1x	V001	1x	WD148	1x	WD147
6x	WD1	1x	WD150	1x	WD149
4x	i128-1	1x	WD152	1x	WD151
1x	WD210	2x	WD182	2x	WD181
				2x	P061 S6

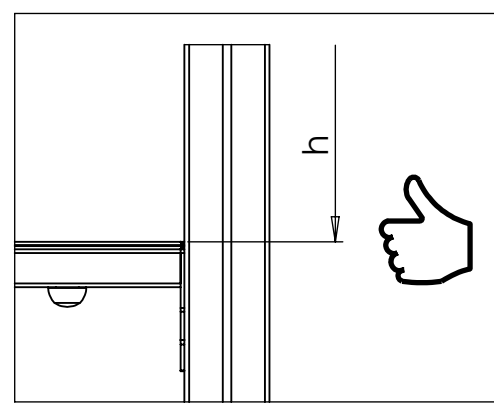
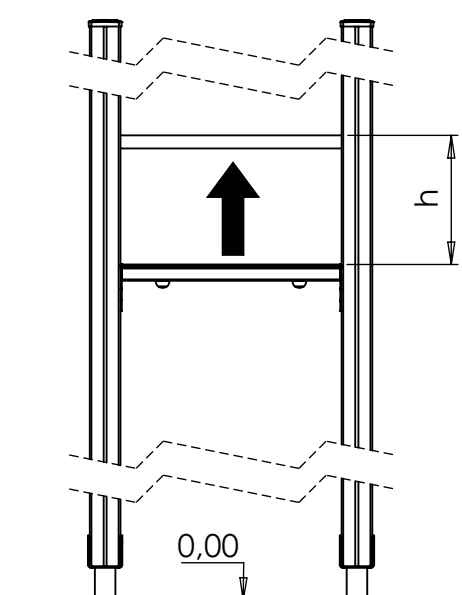
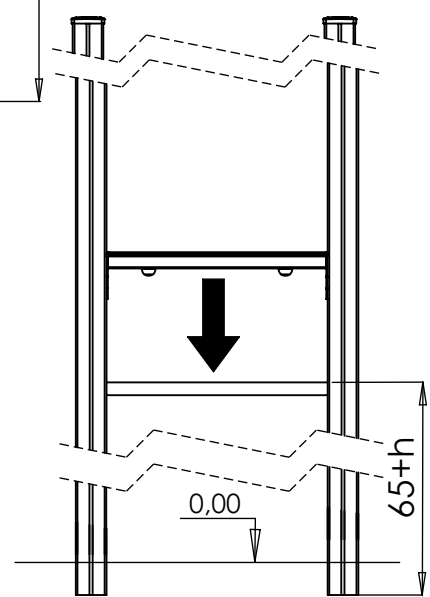
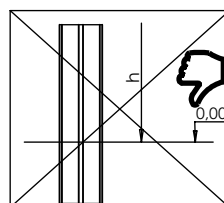
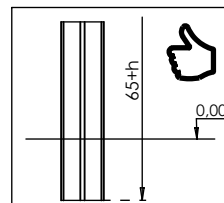
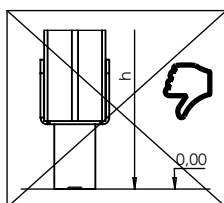
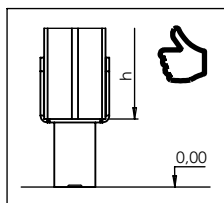
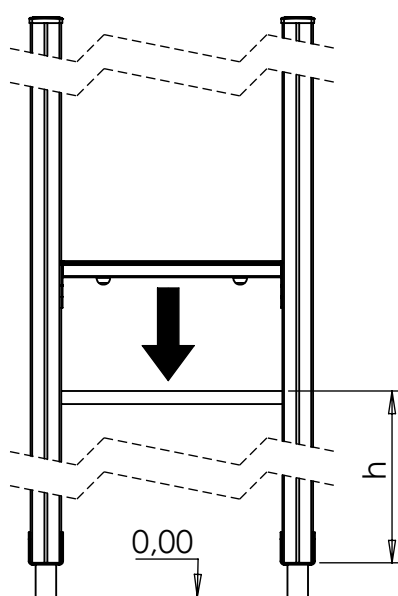
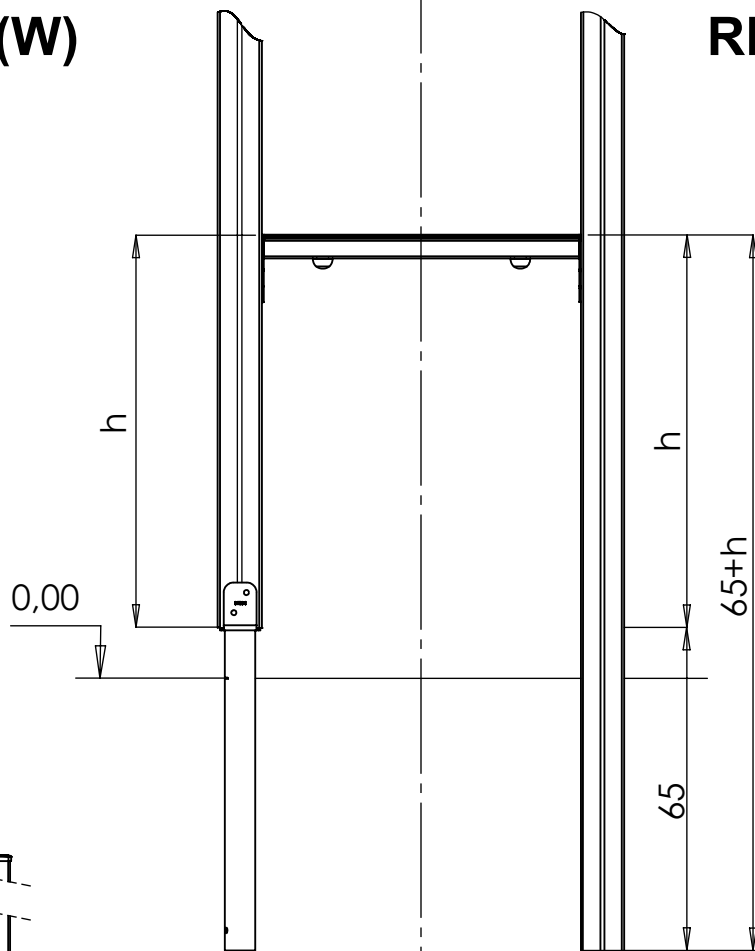
[cm]

vinci  
play



# WOOD - (W)

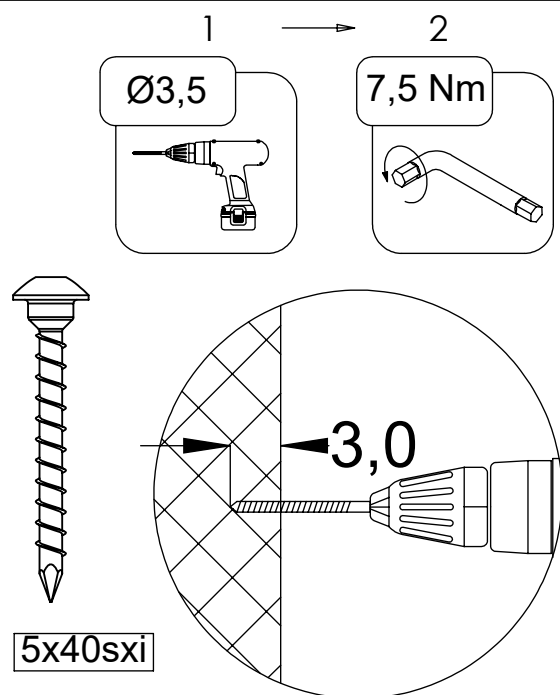
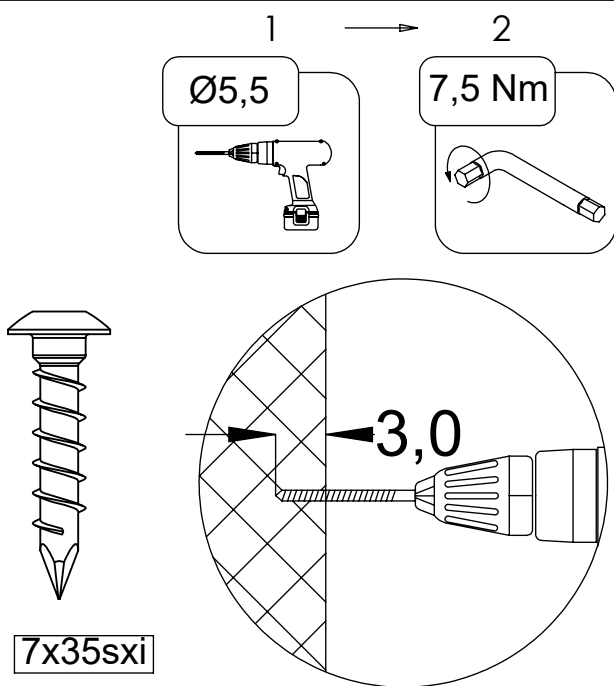
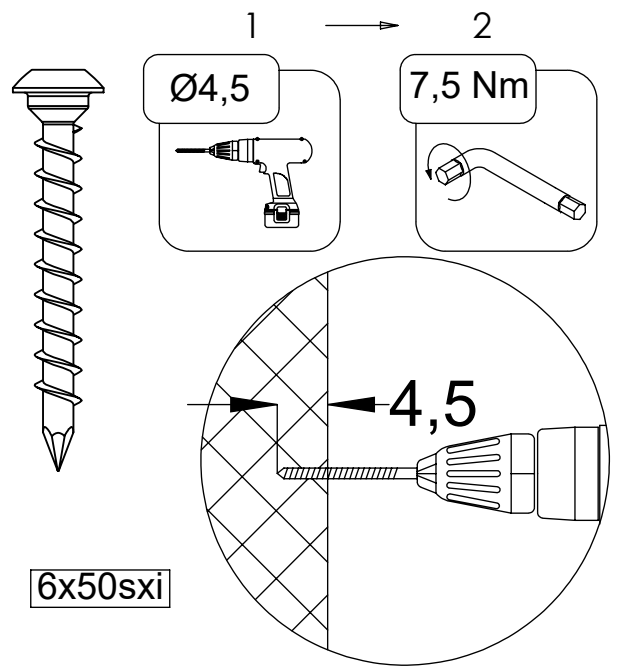
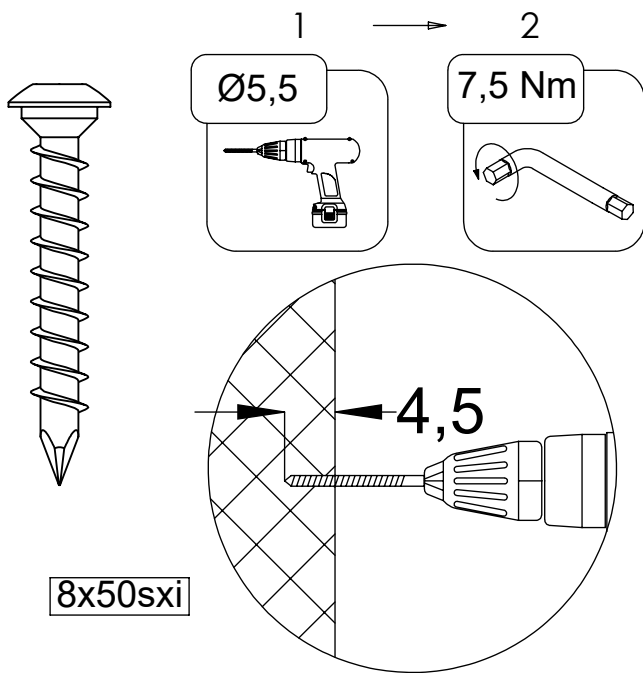
# RECYCLED - (R)



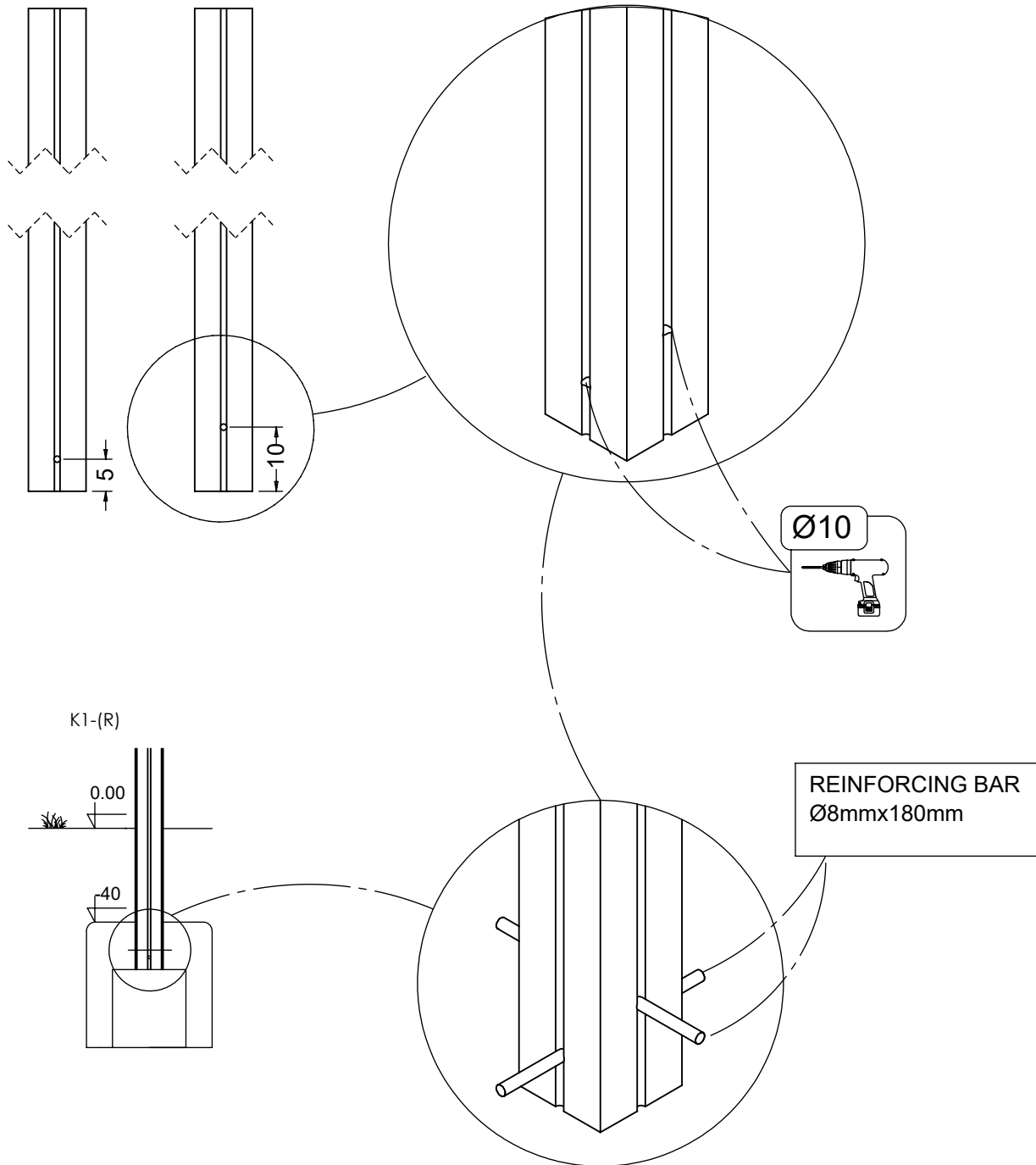
[cm]

vinci play

# RECYCLED!



# RECYCLED!

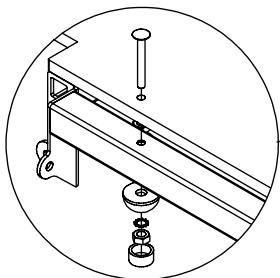
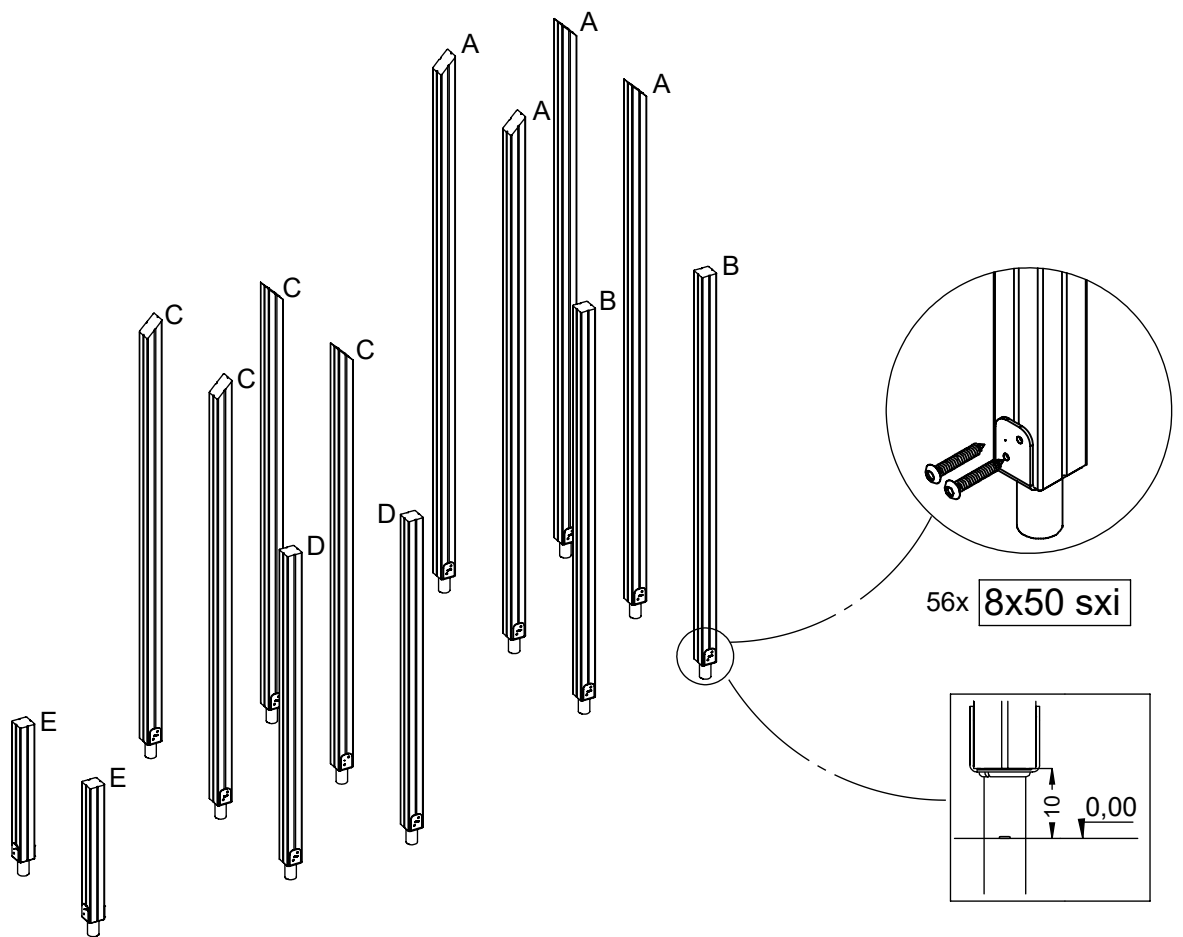


[cm]

vinci  
play

K1,K2,K3 - (W)

K2,K3 - (R)

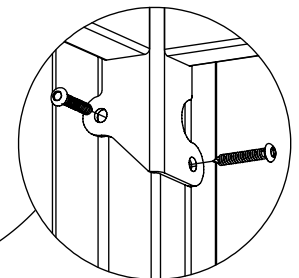


2x 

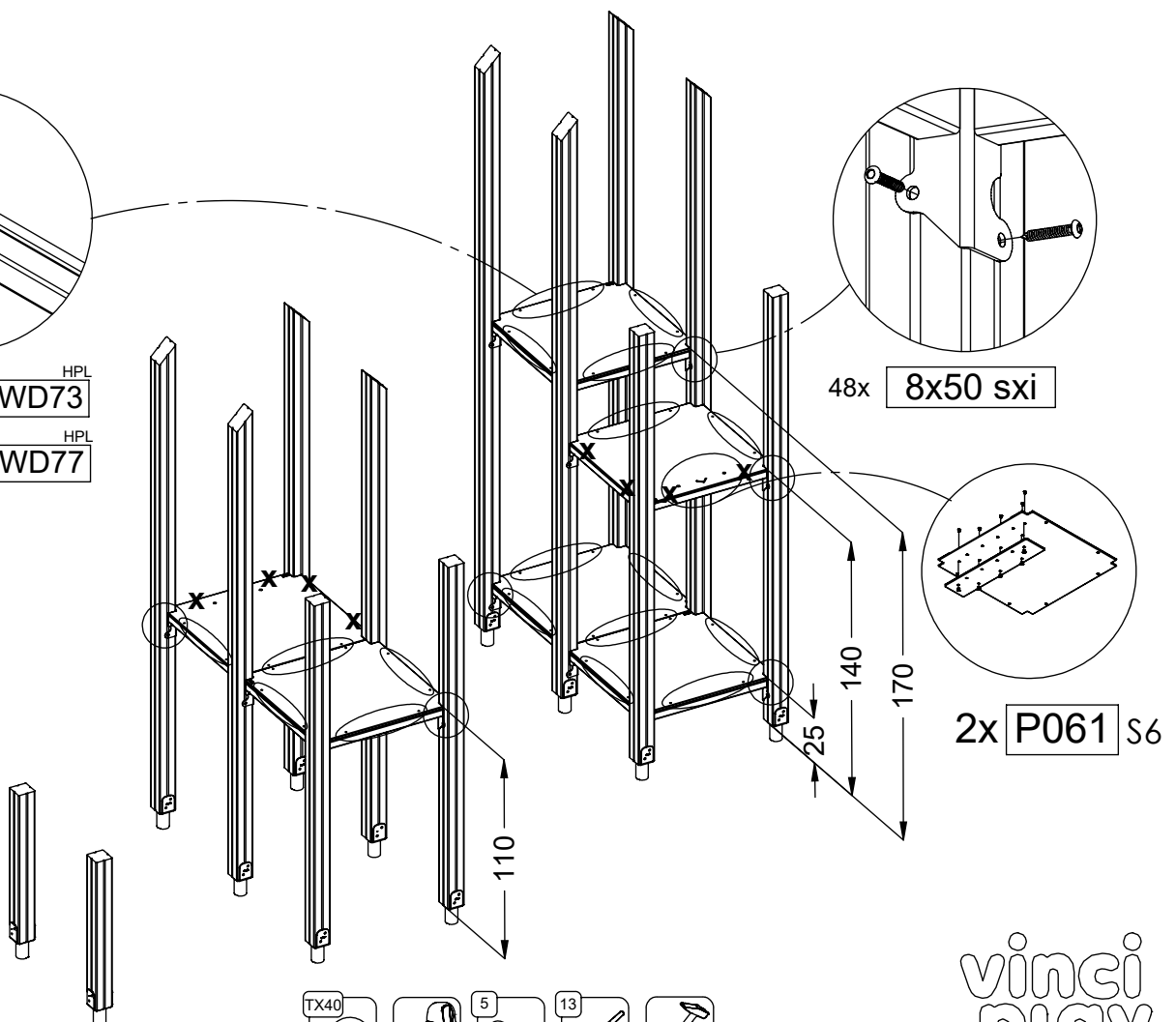
PLYWOOD	HPL
WD72	WD73

4x 

PLYWOOD	HPL
WD76	WD77

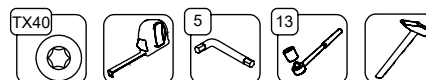


48x 8x50 sxi

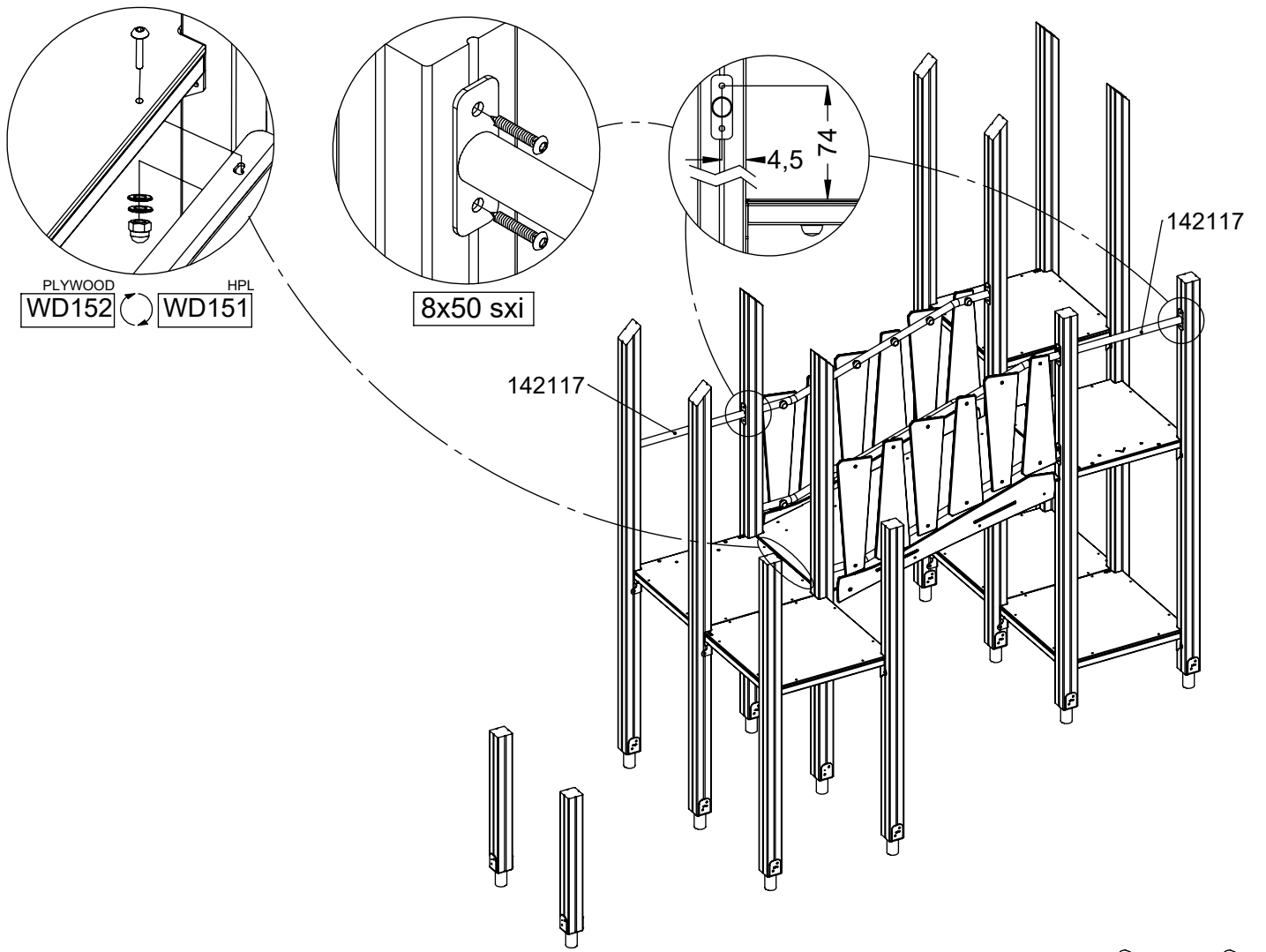
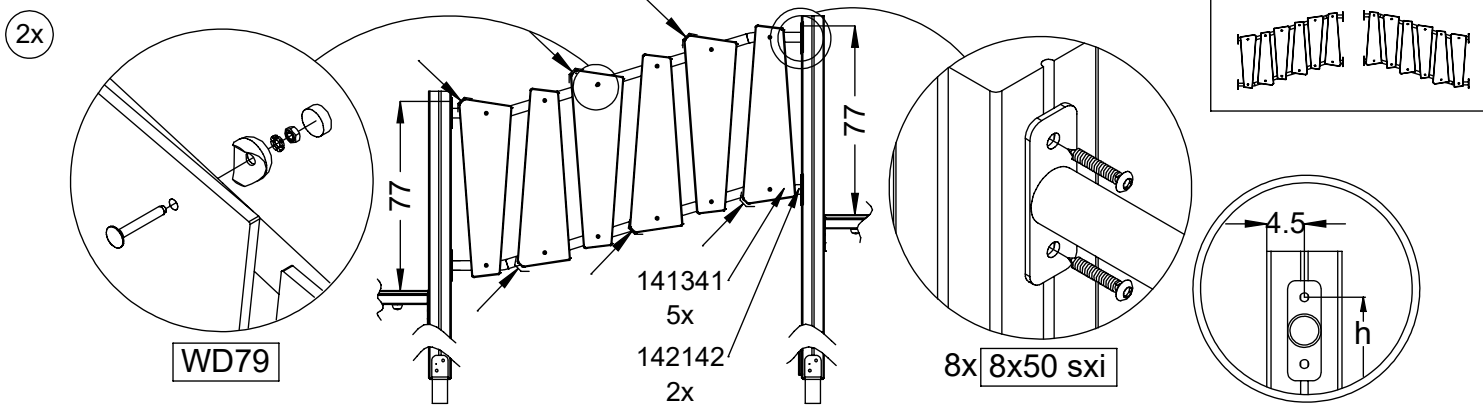
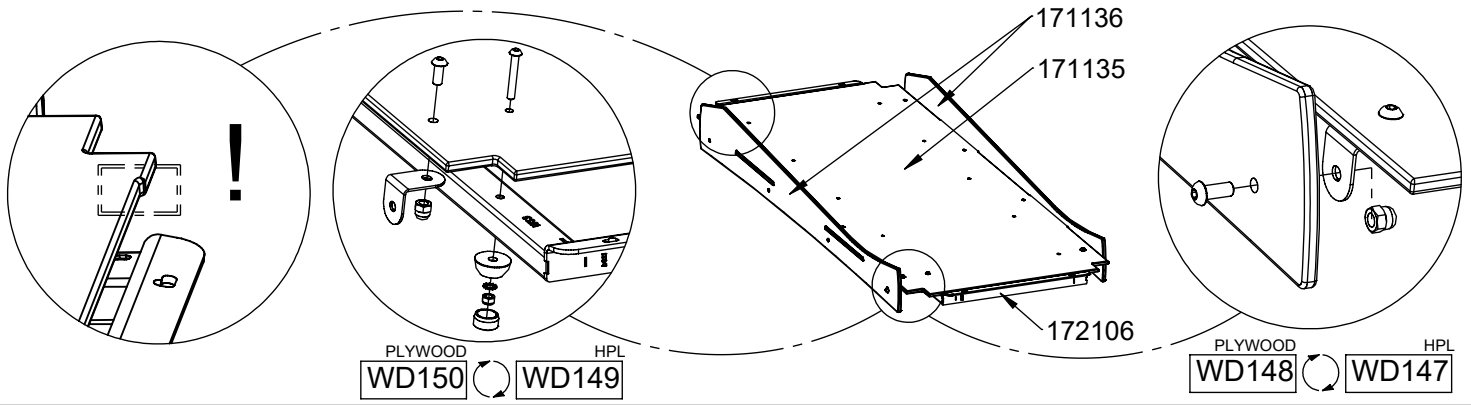


2x P061 S6

[cm]



vinci play

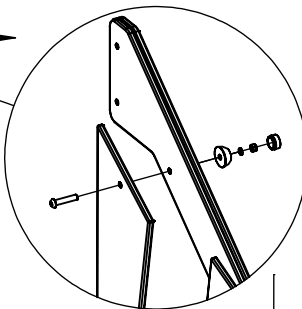
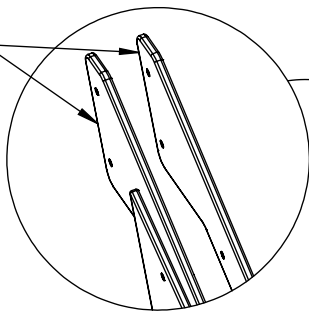


[cm]

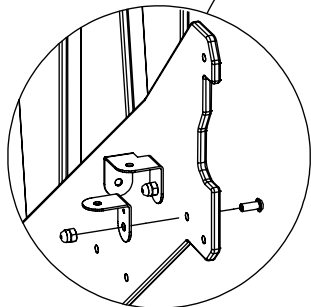


vinci  
play

171129

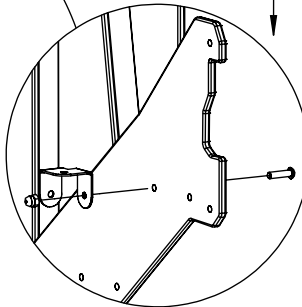


WD138

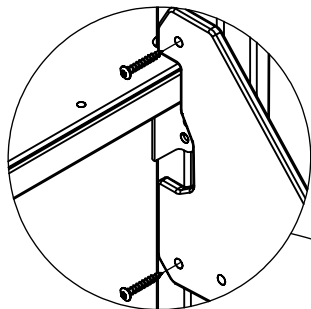


141341

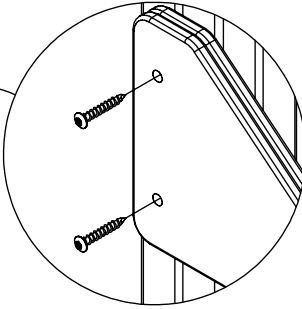
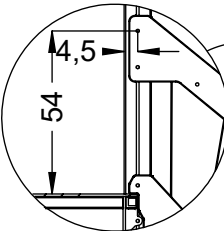
141342



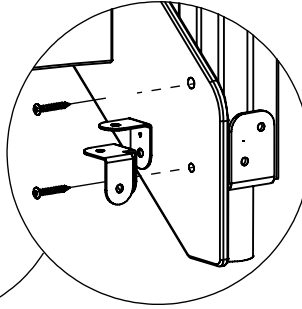
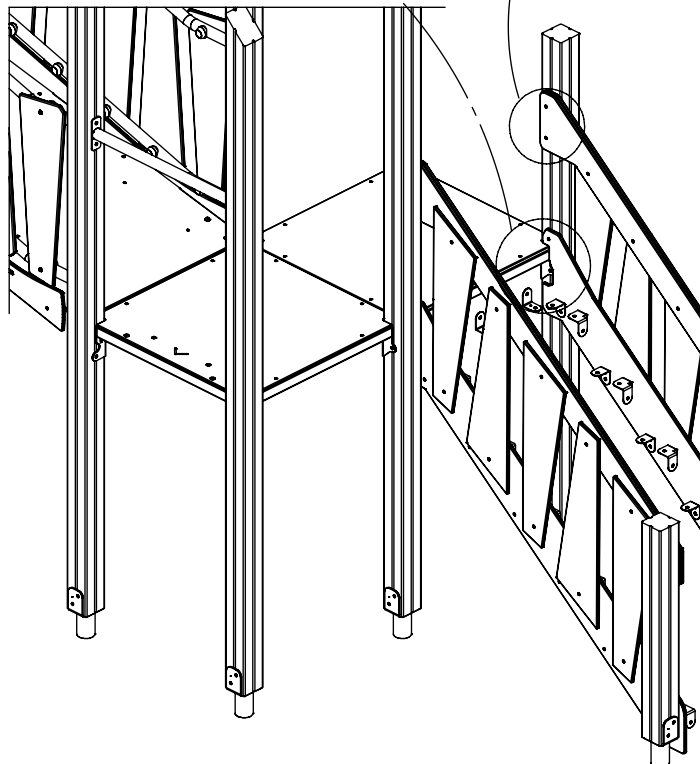
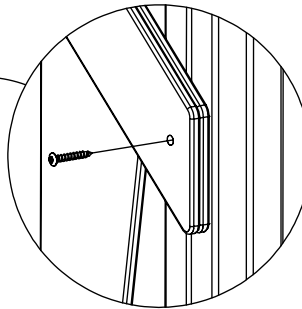
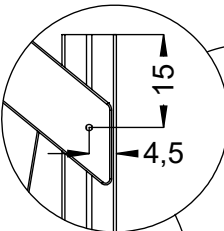
x2



8x50 sxi

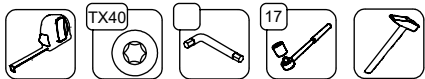


8x80 sxt



8x50 sxi

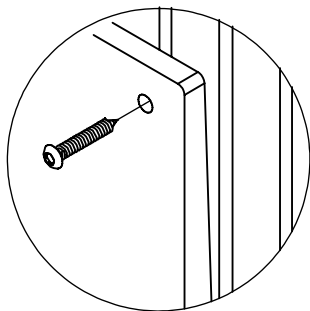
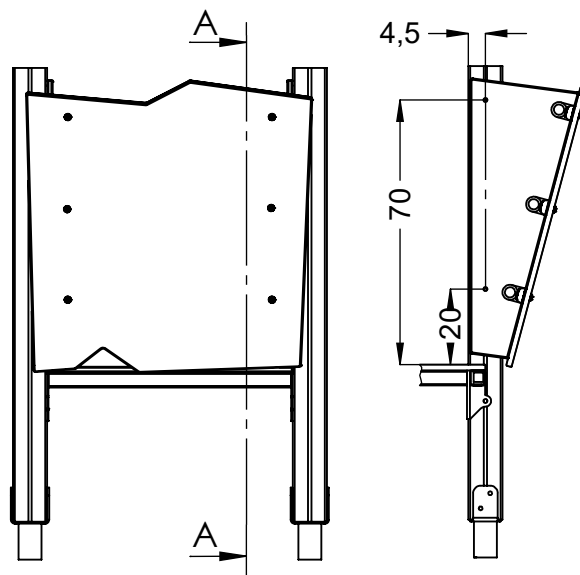
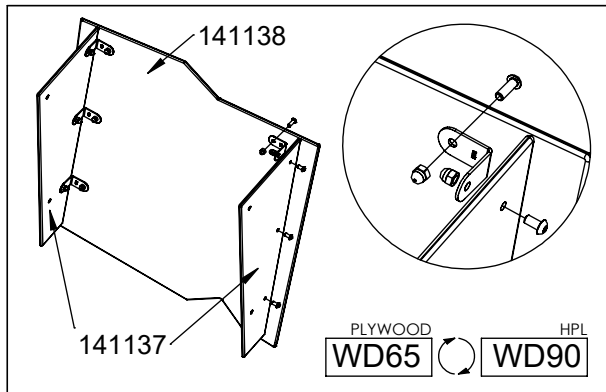
WD91



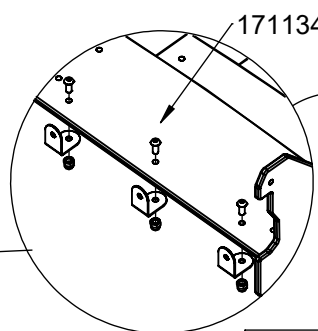
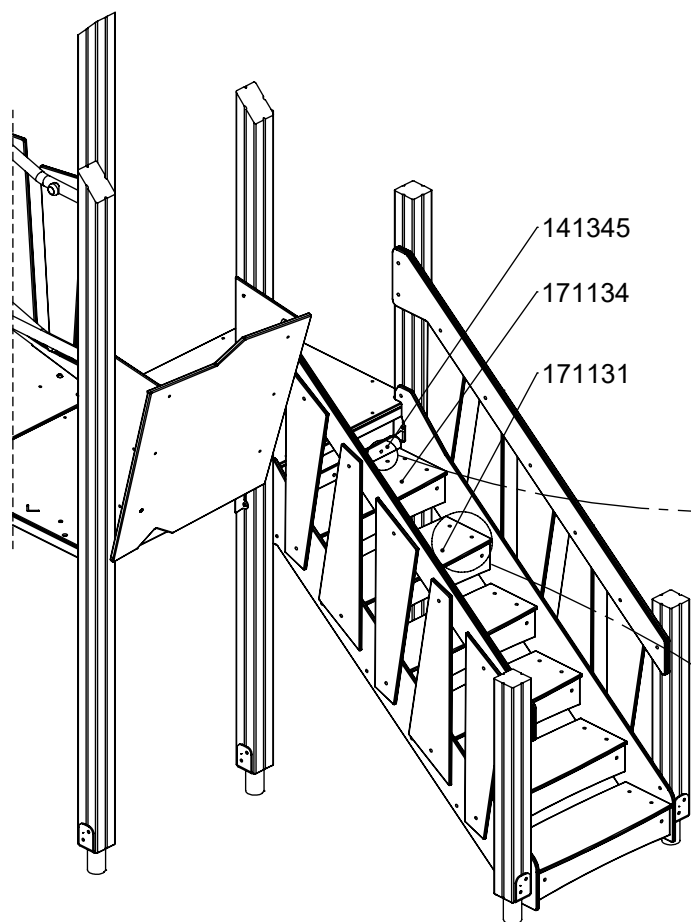
[cm]

vinci play

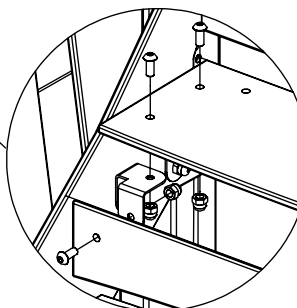
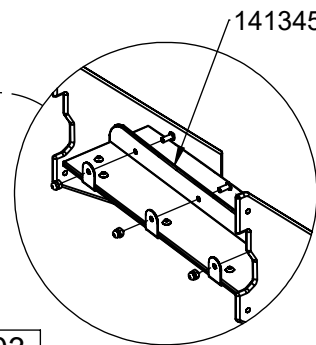




8x50 sxi



WD103

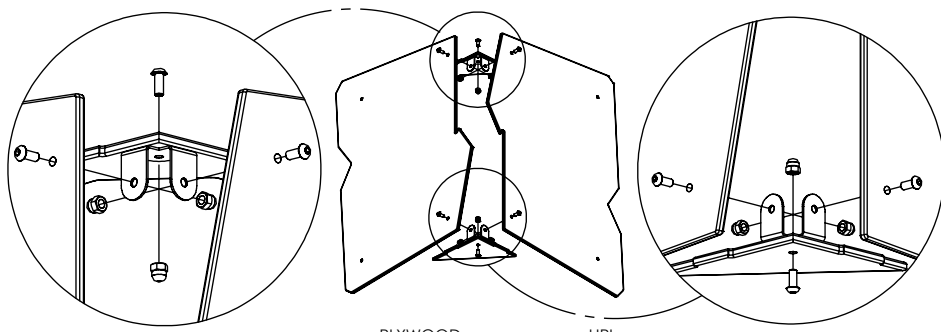


WD97

[cm]

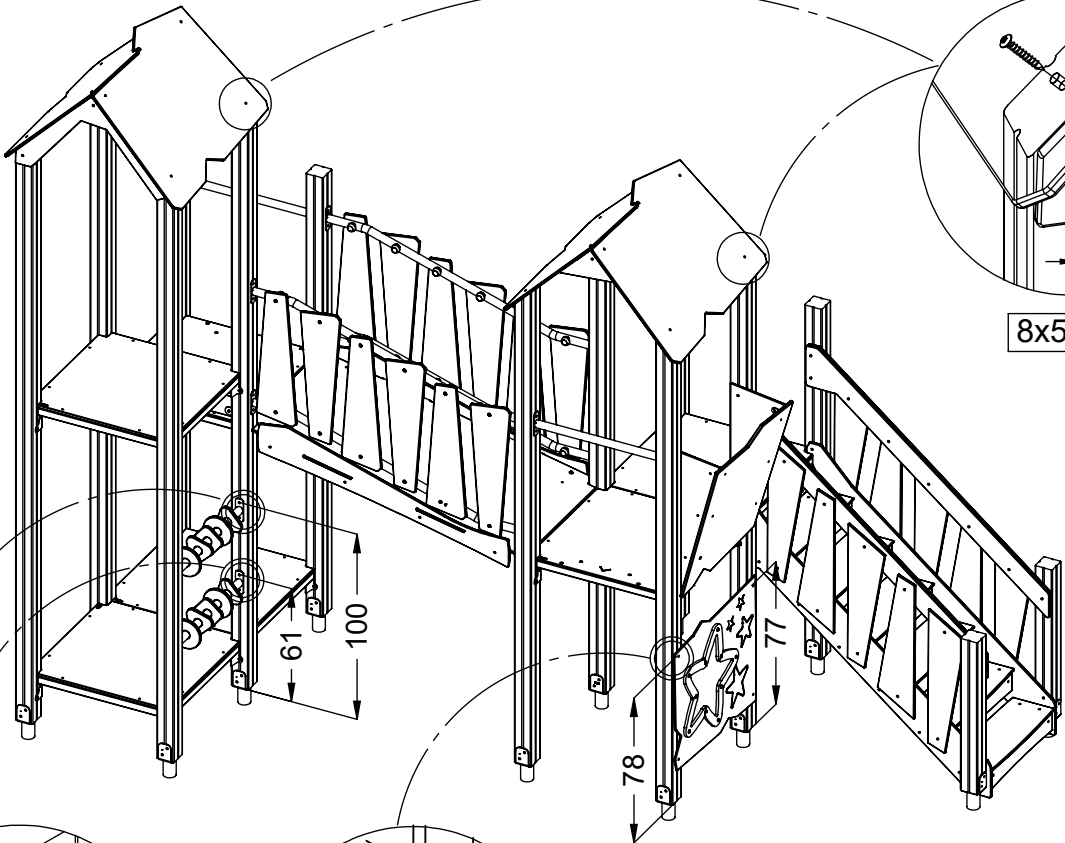
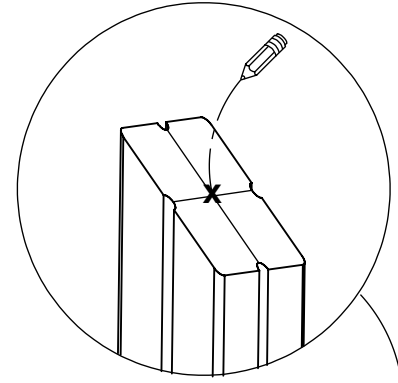


vinci  
play



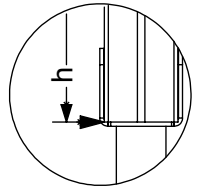
PLYWOOD  
WD33

HPL  
WD34

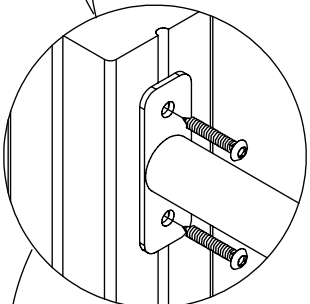
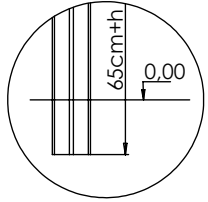


8x50 sxi

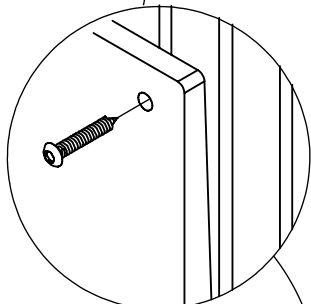
(W) - K1, K2, K3  
(R) - K2, K3



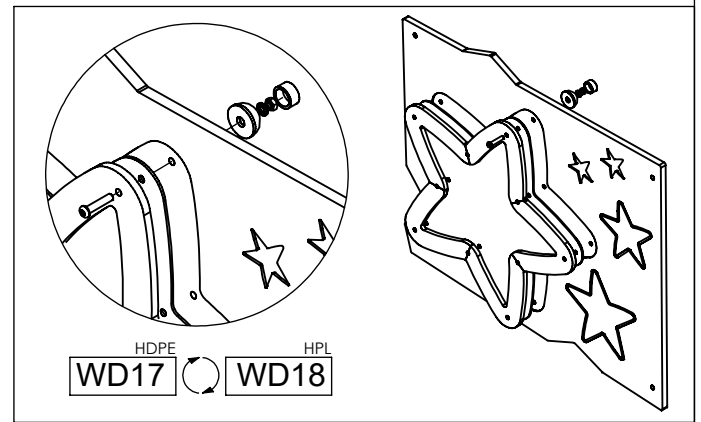
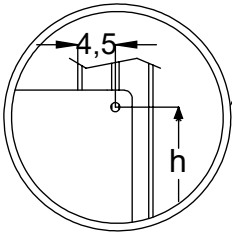
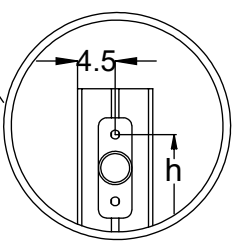
(R)-K1



8x50 sxi



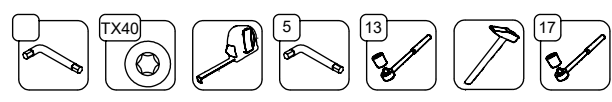
8x50 sxi



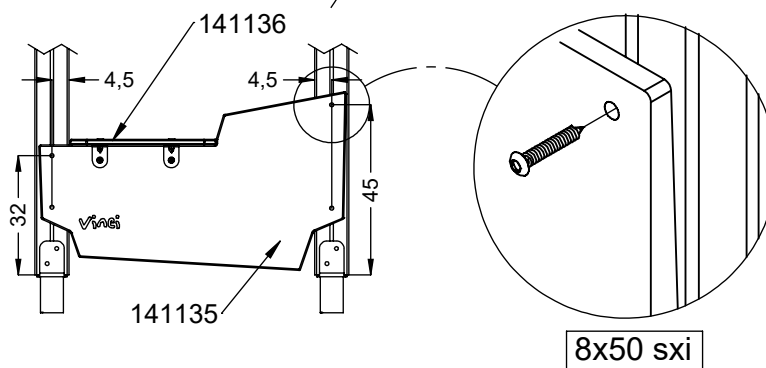
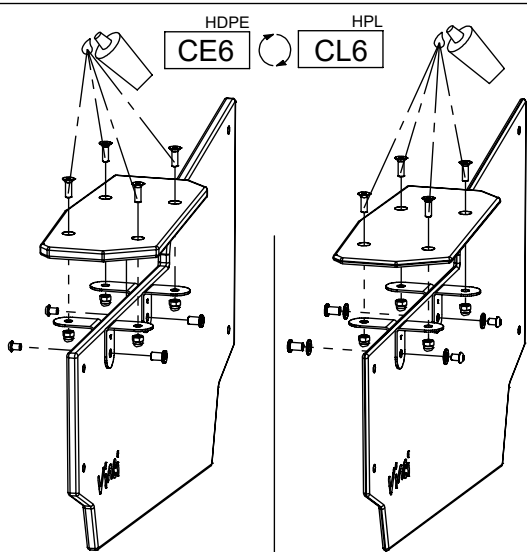
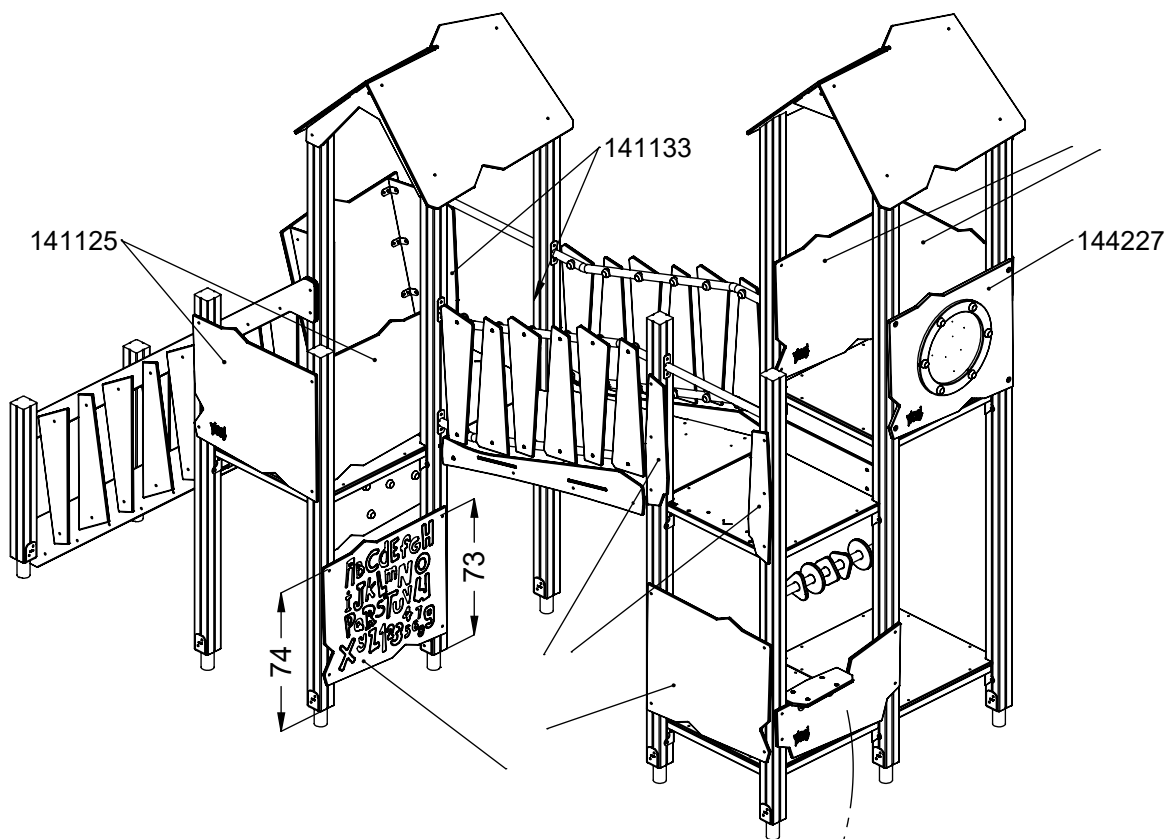
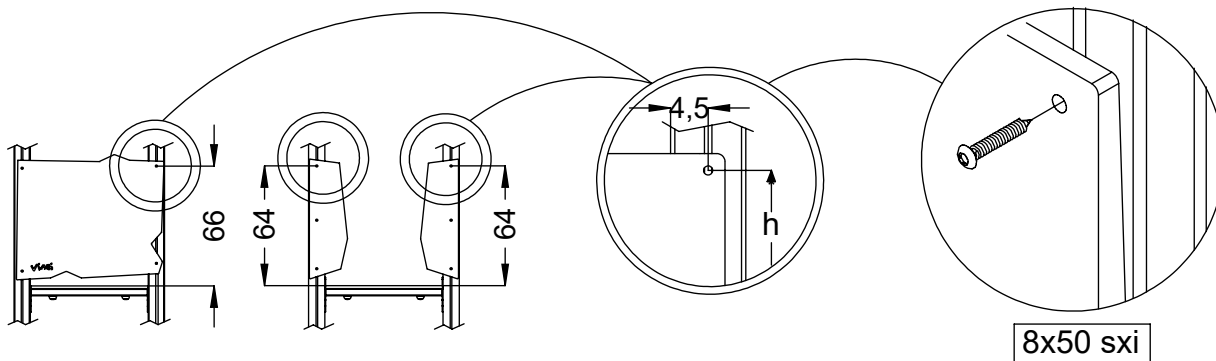
HDPE  
WD17

HPL  
WD18

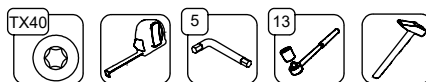
[cm]



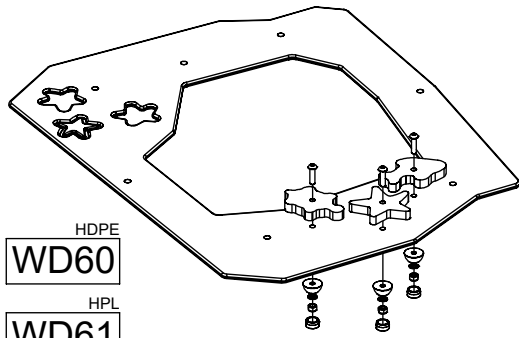
vinci  
play



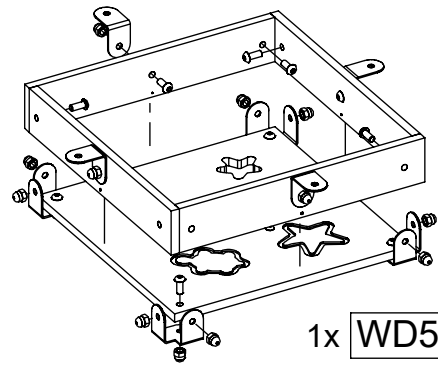
[cm]



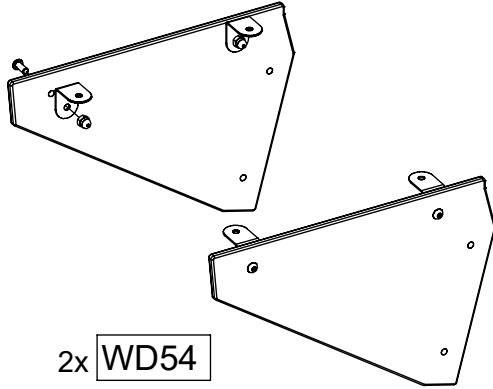
vinci  
play



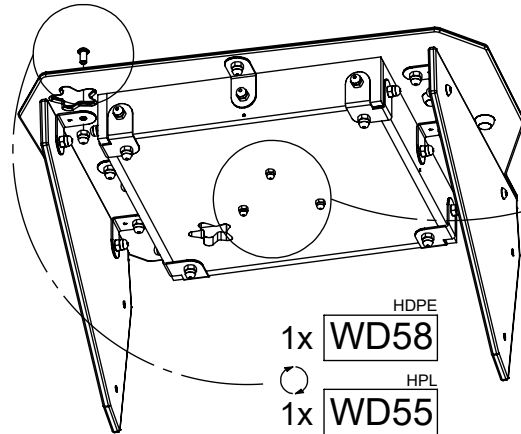
1x <sup>HDPE</sup> WD60  
 1x <sup>HPL</sup> WD61



1x WD56

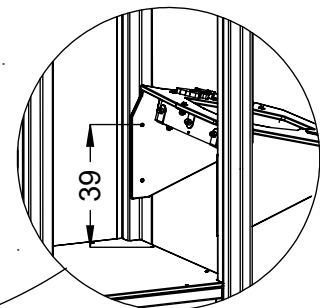
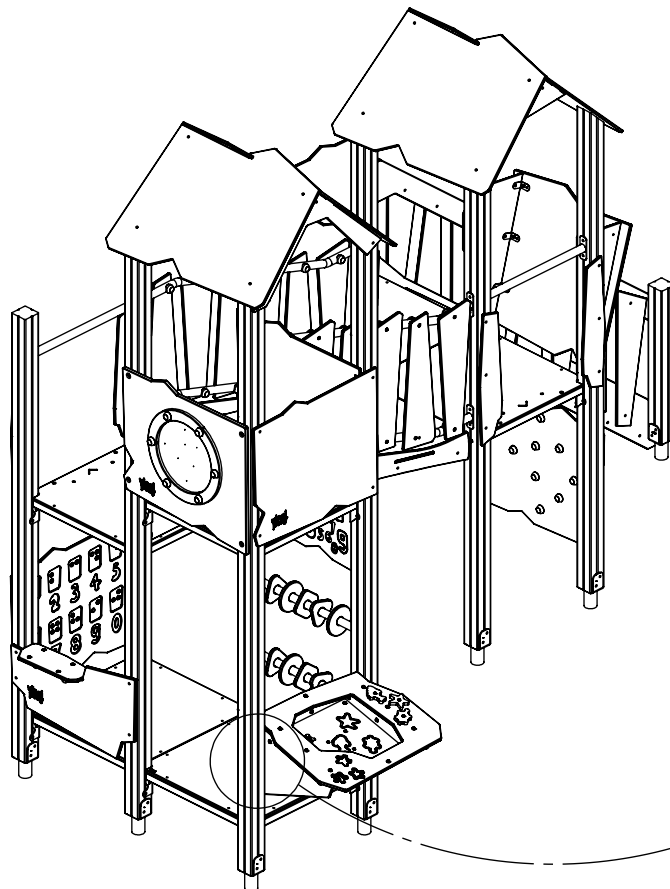


2x WD54



1x WD45

1x <sup>HDPE</sup> WD58  
 1x <sup>HPL</sup> WD55

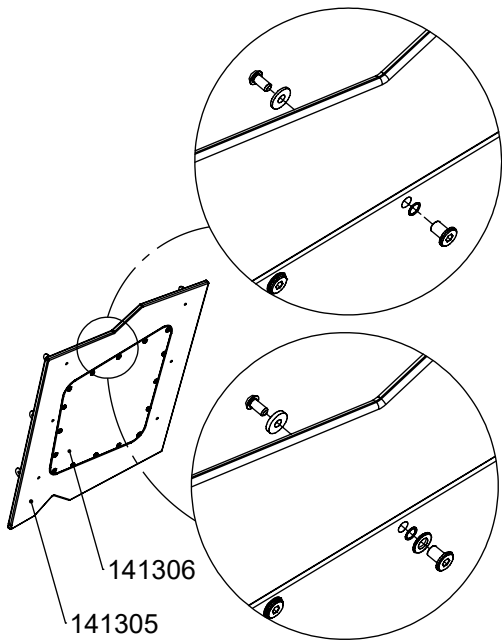


4x 8x50 sxi

[cm]



vinci  
play

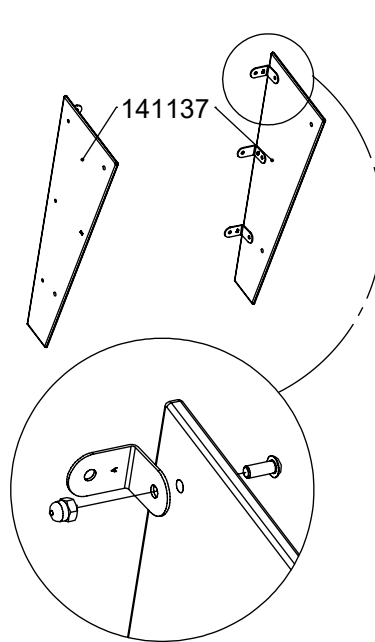


141306

141305

HDPE  
WE128

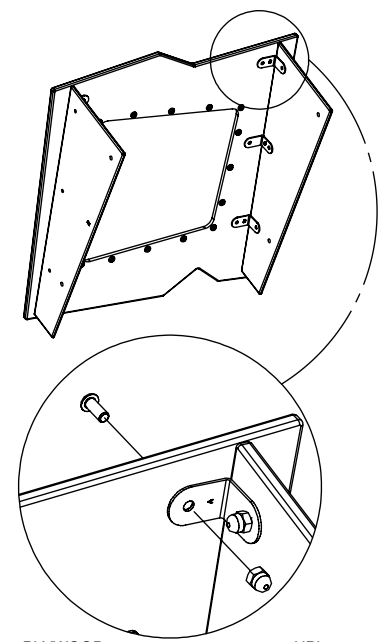
HPL  
WL128



141137

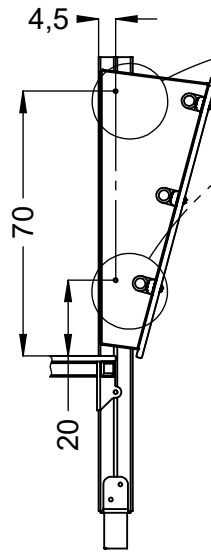
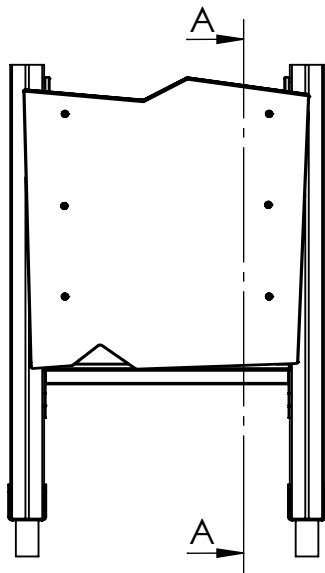
PLYWOOD  
WD106

HPL  
WD107

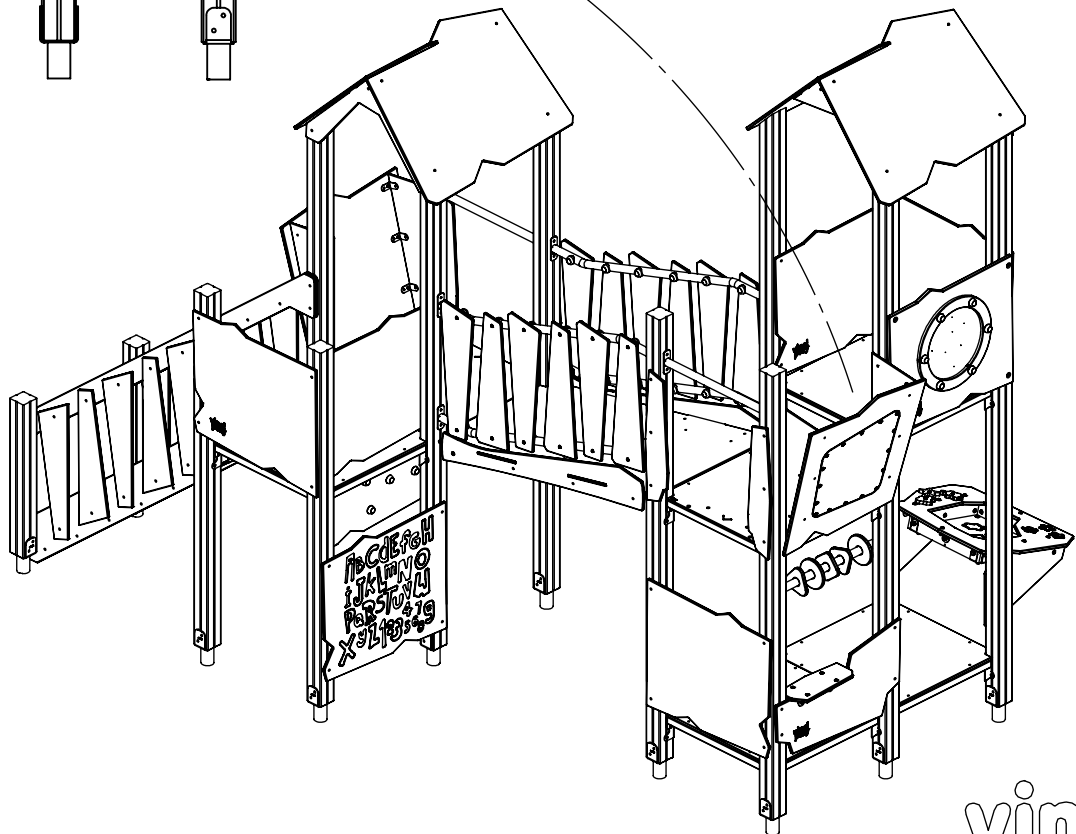


PLYWOOD  
WD108

HPL  
WD109



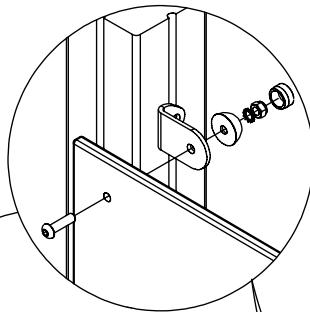
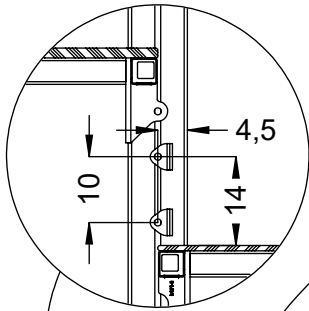
8x50 sxi



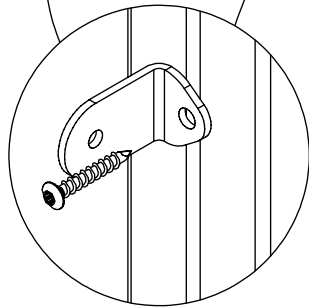
[cm]



vinci  
play

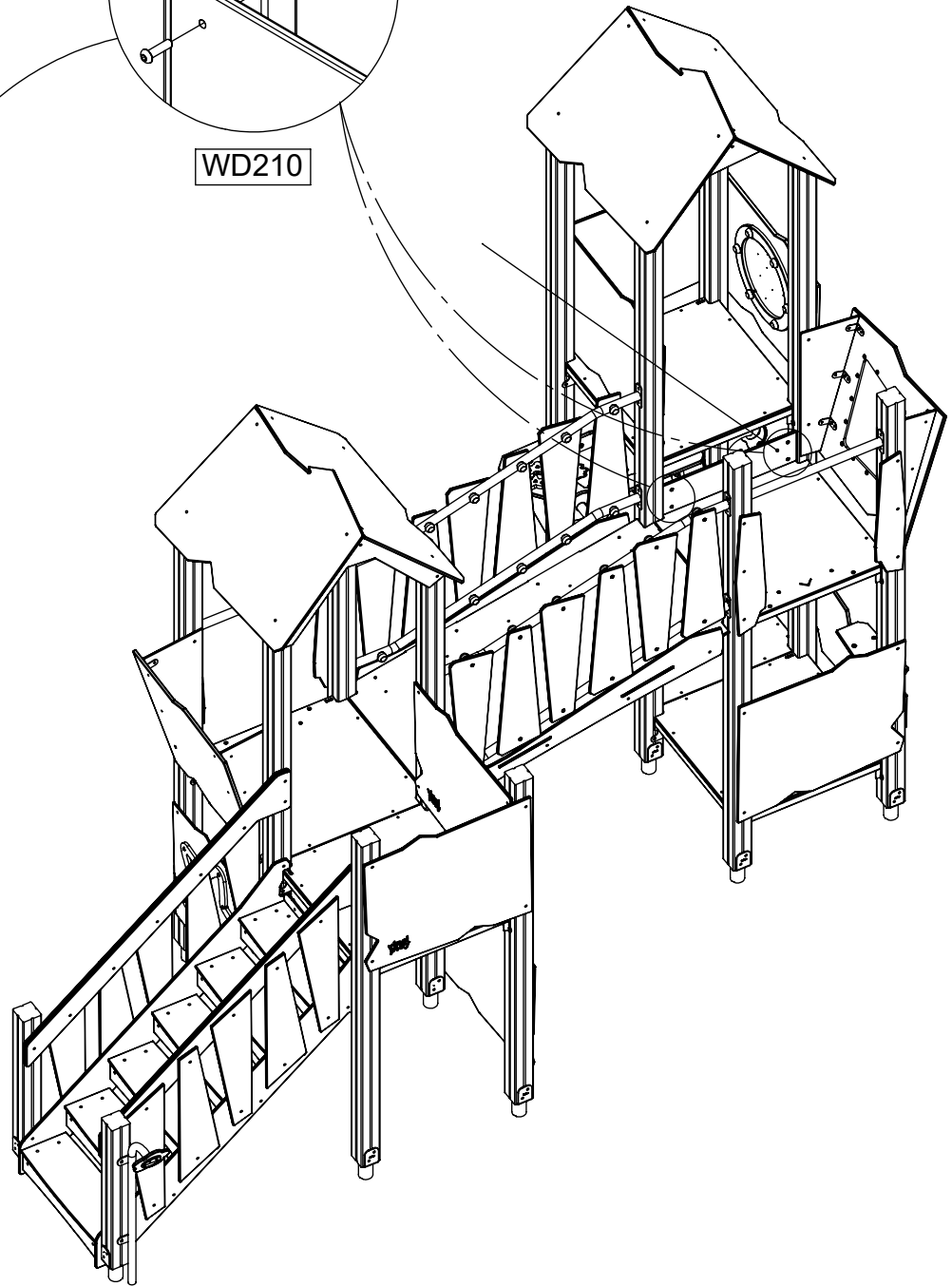


WD210



8x50 sxi

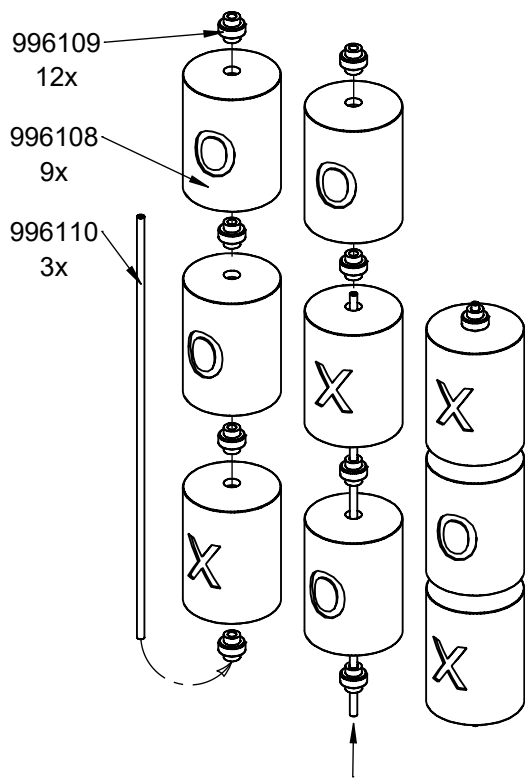
i128-1



[cm]

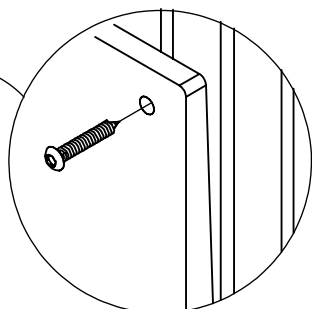
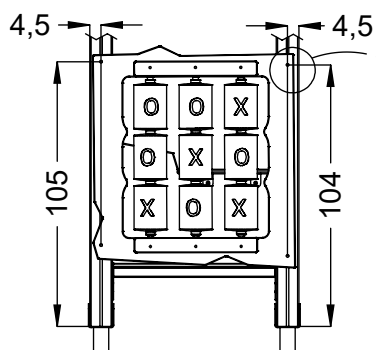
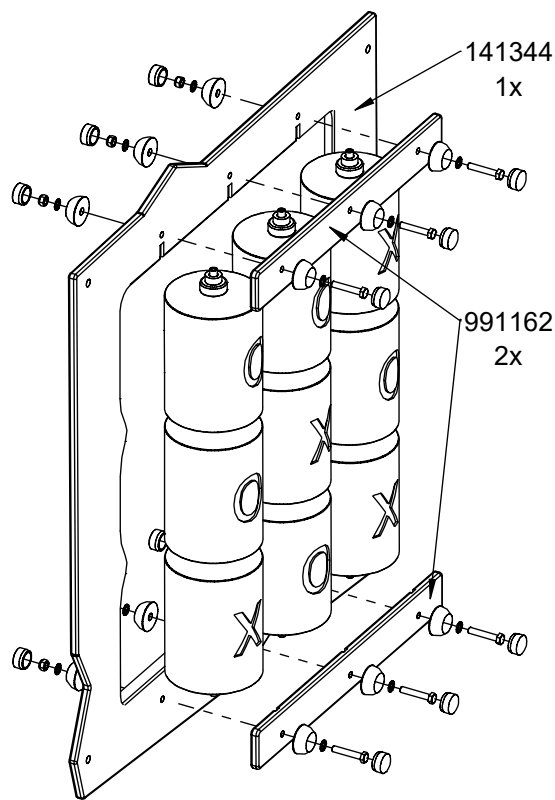


vinci  
play

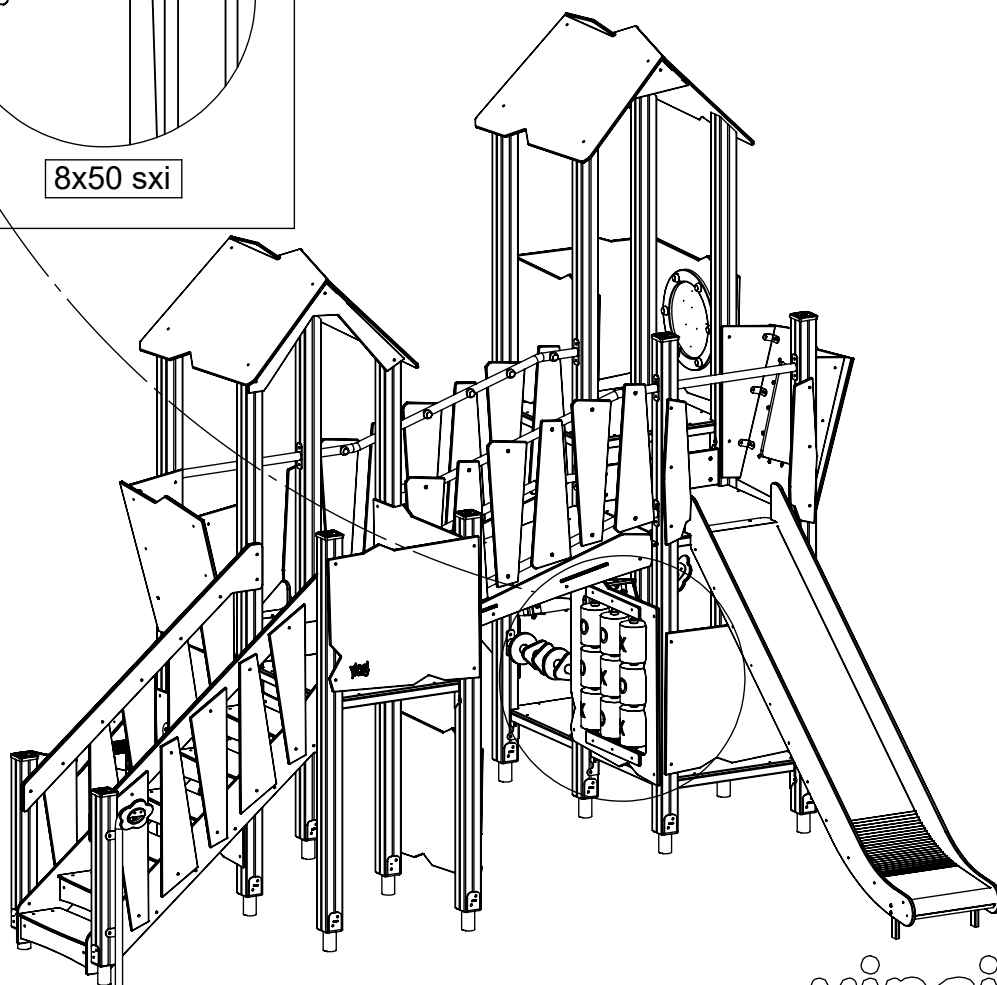


1x <sup>HDPE</sup> CE19

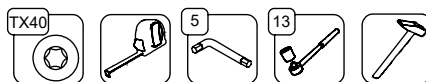
1x <sup>HPL</sup> CL19



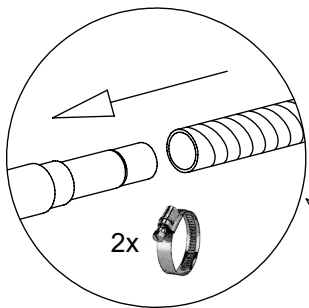
8x50 sxi



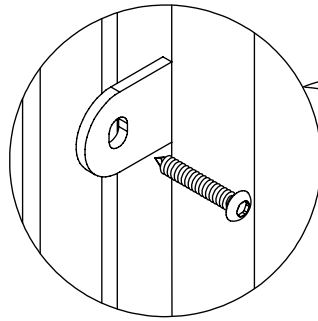
[cm]



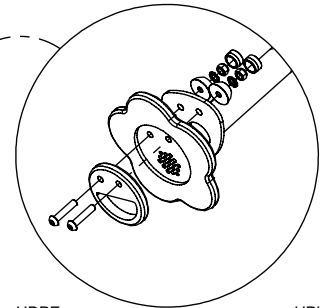
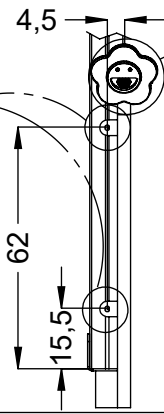
vinci  
play



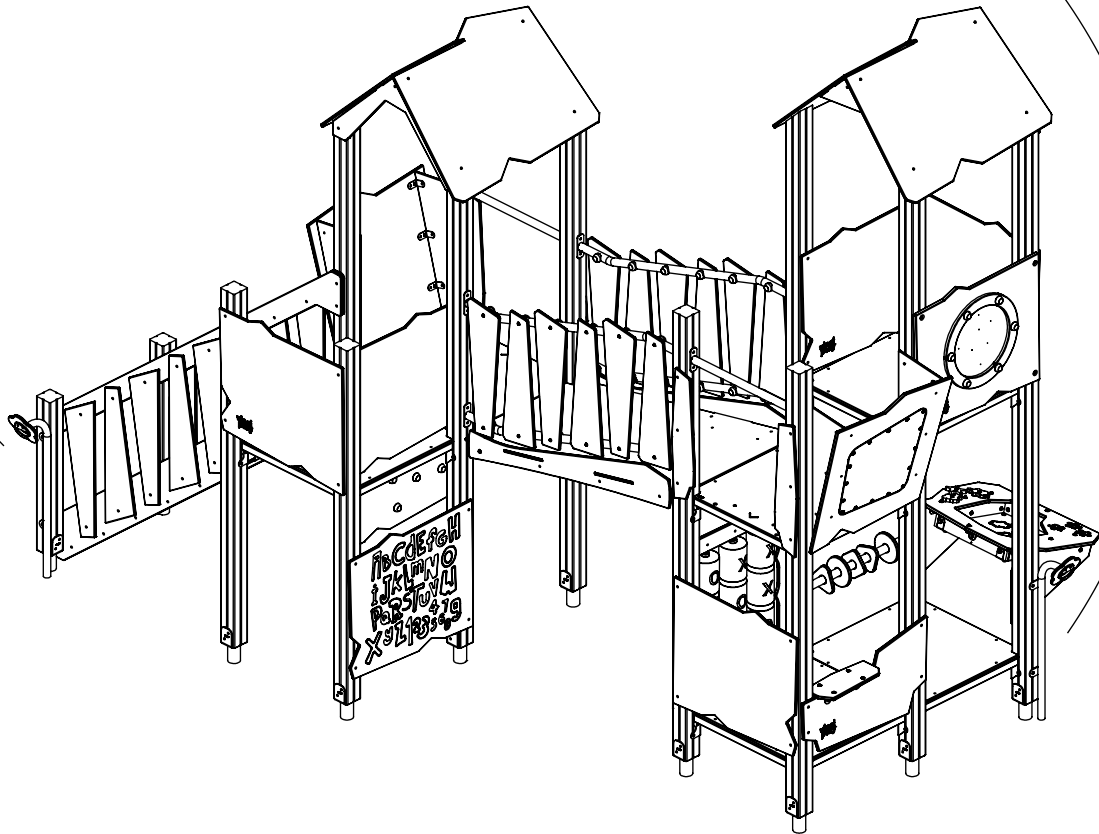
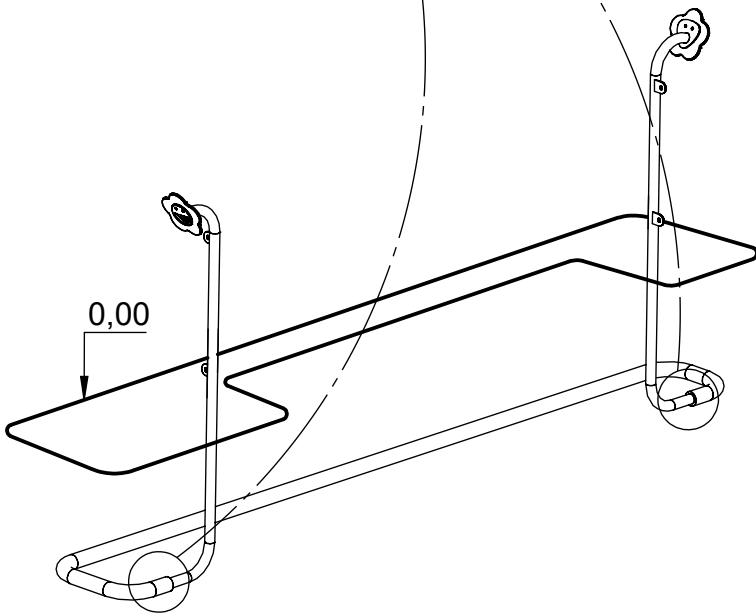
2x Z18



8x50 sxi



HDPE WD182 HPL WD181

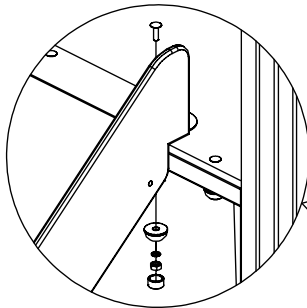


[cm]

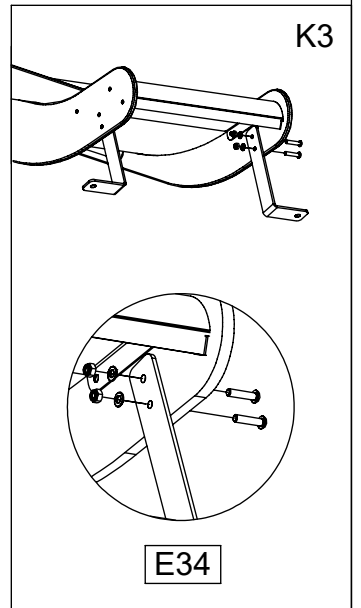
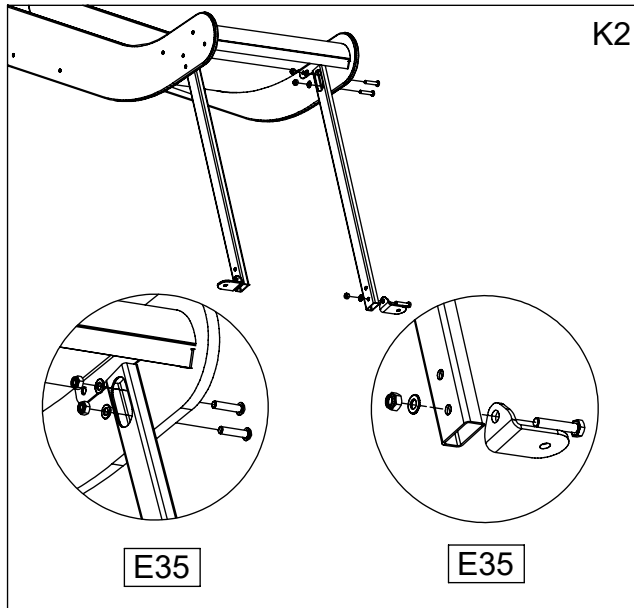
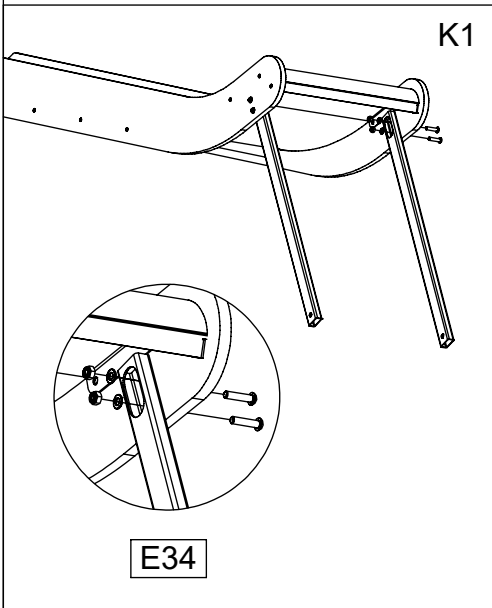
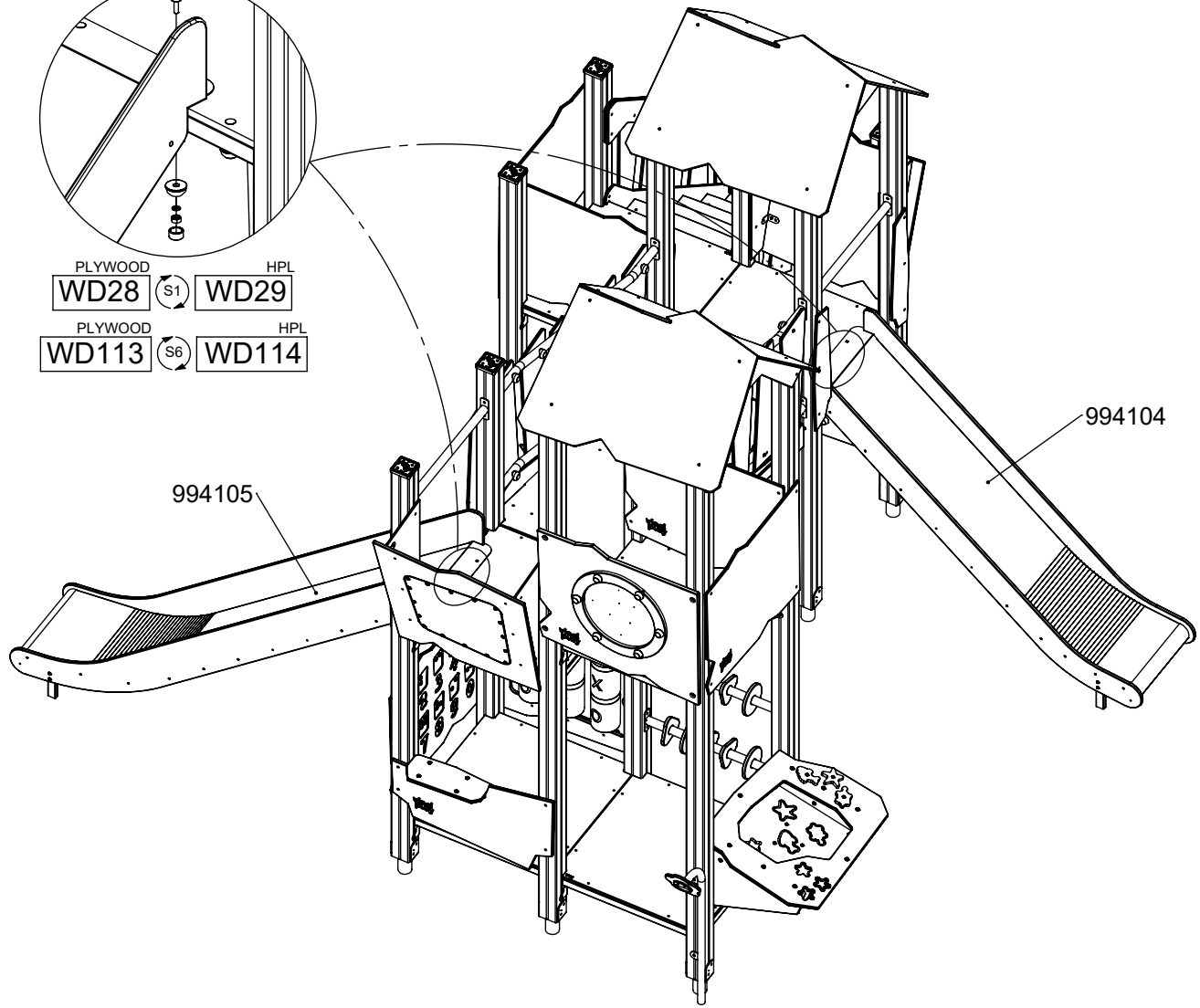


vinci play





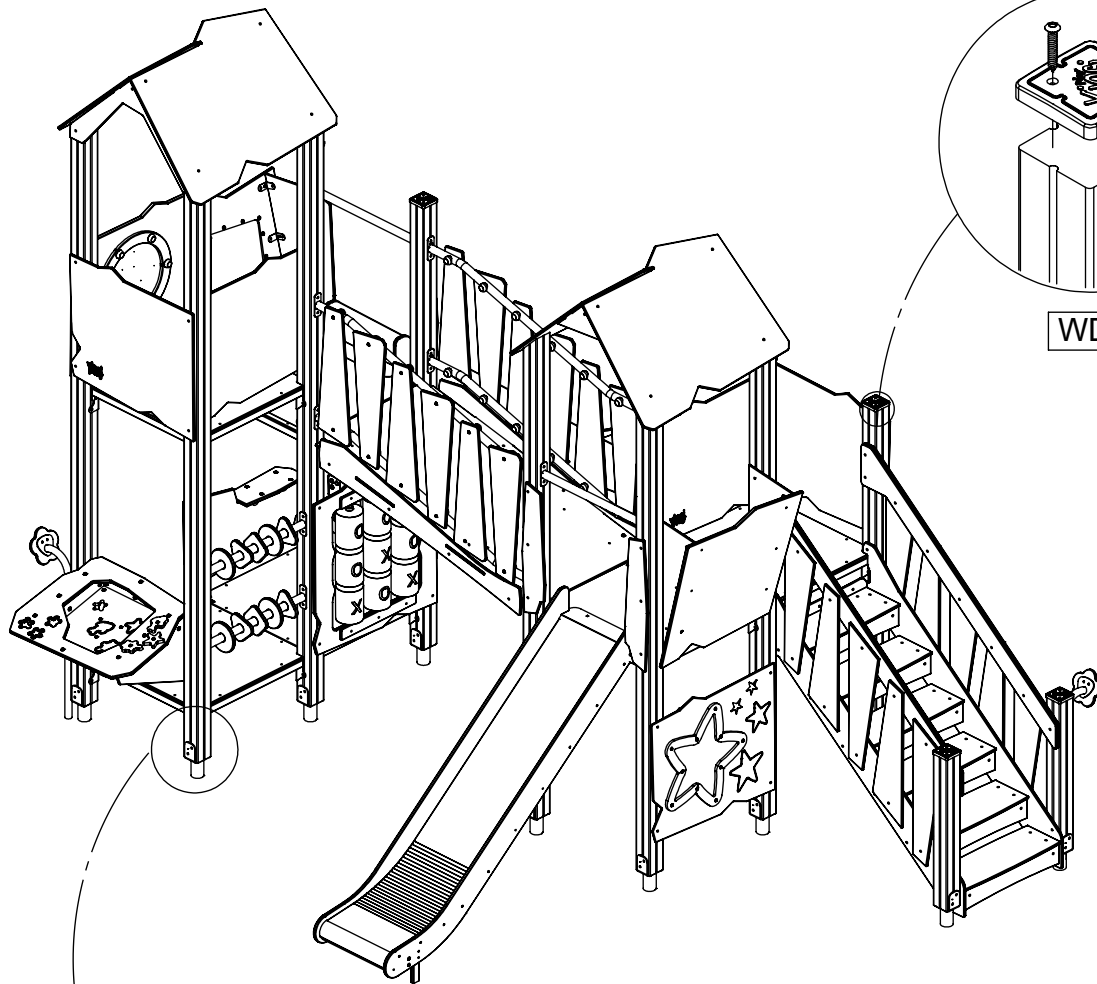
PLYWOOD HPL  
 WD28 S1 WD29  
 PLYWOOD HPL  
 WD113 S6 WD114



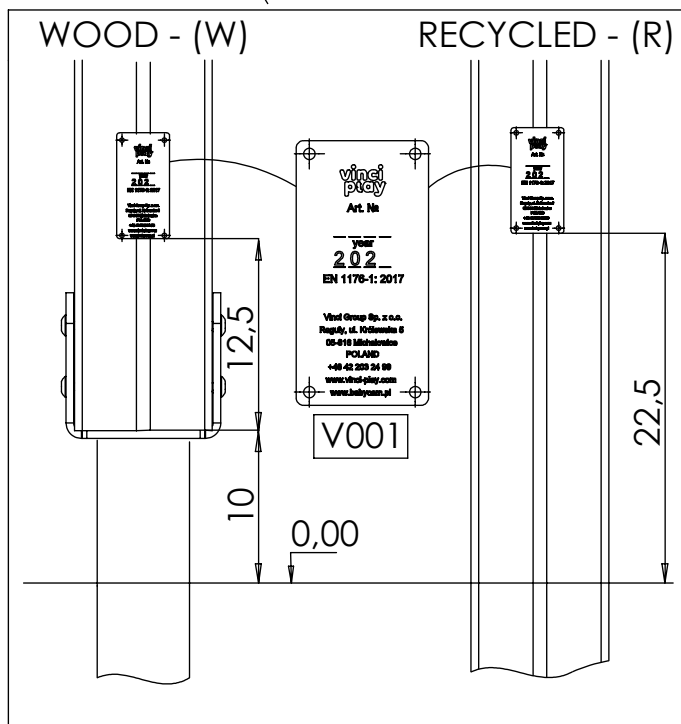
[cm]



vinci  
 play

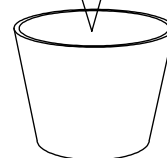


WD1



**Part No:**  
**00000-00000**

000000-00000



[cm]



vinci  
play