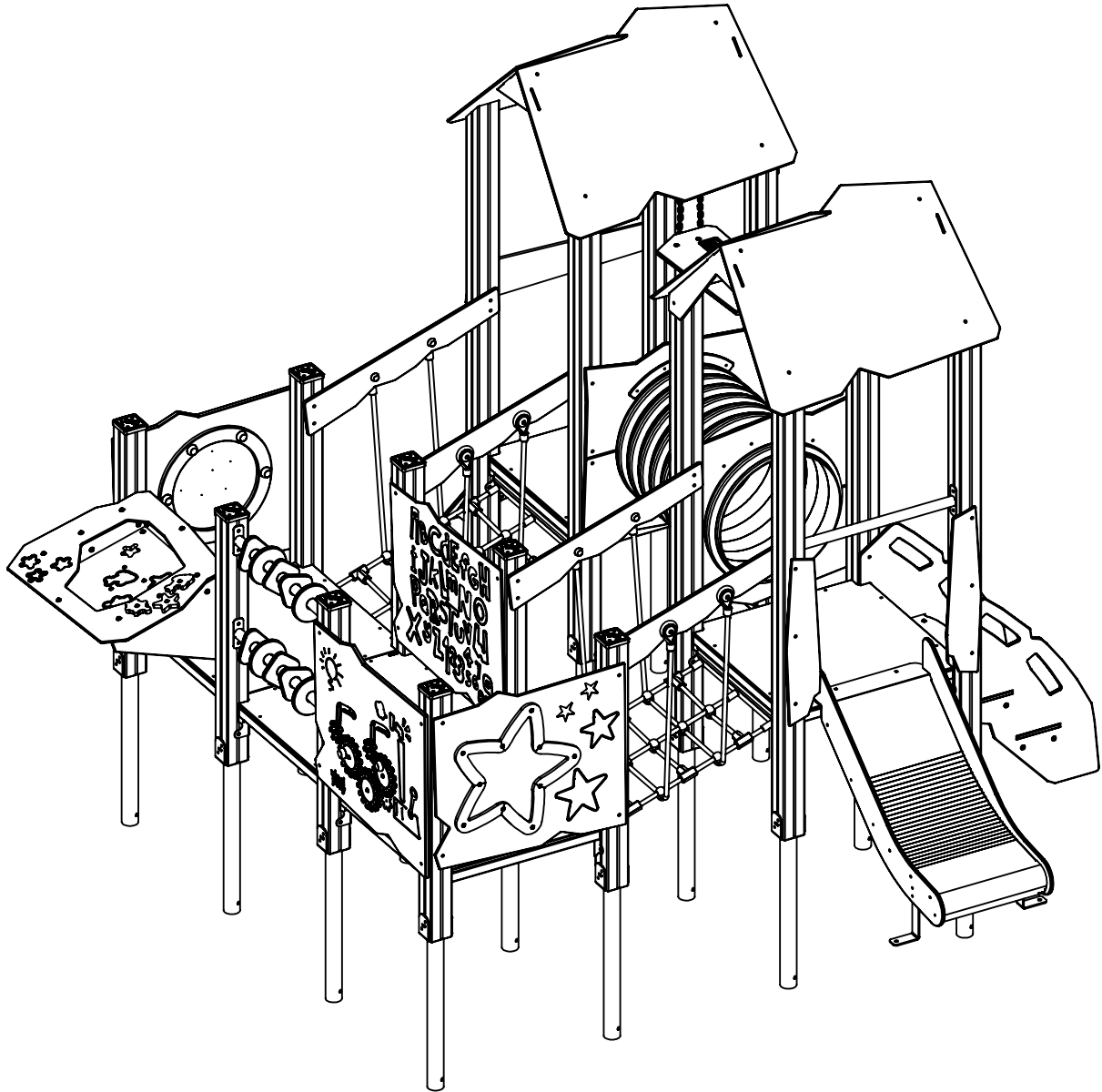
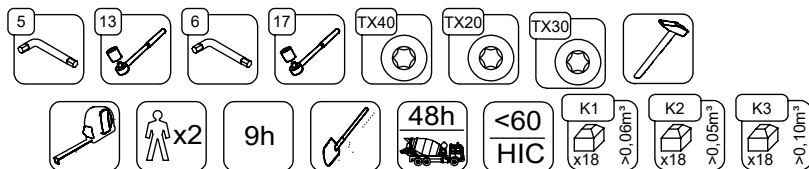


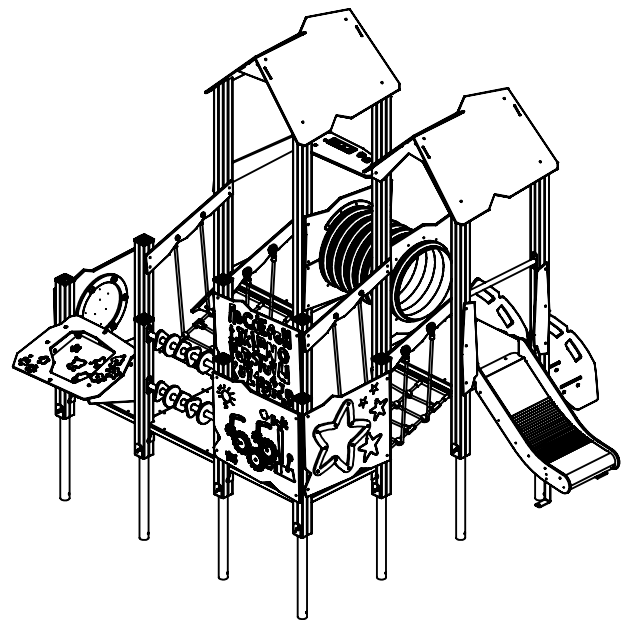
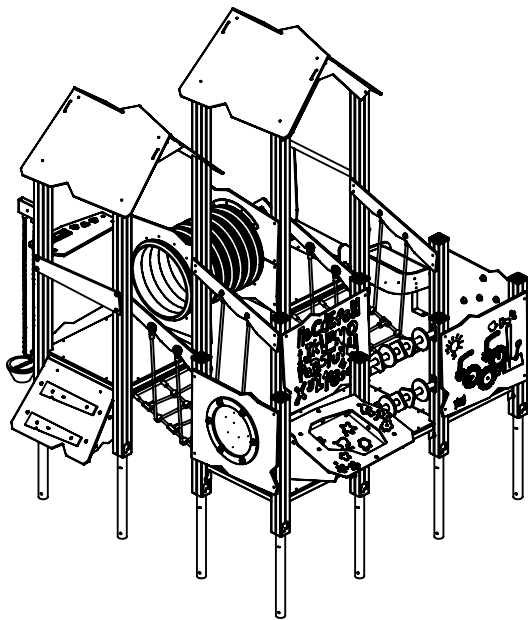
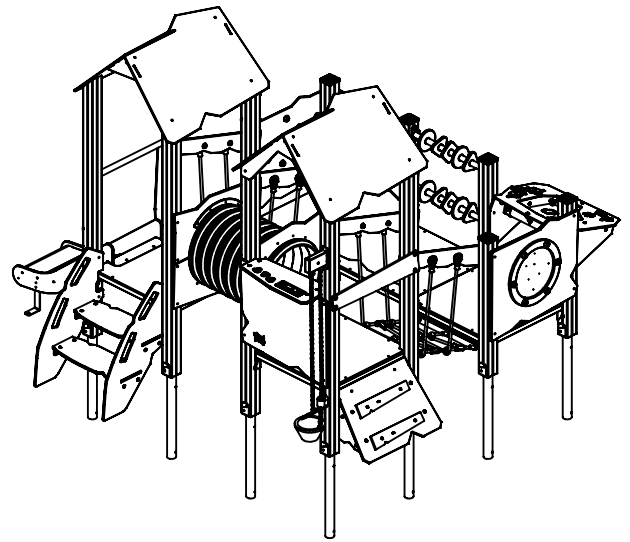
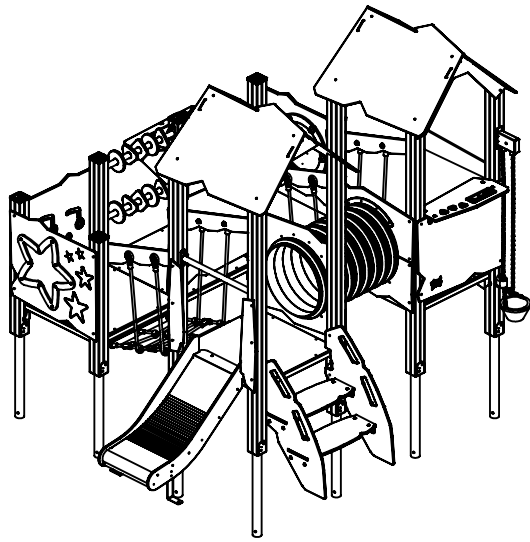
WD/RC 1503

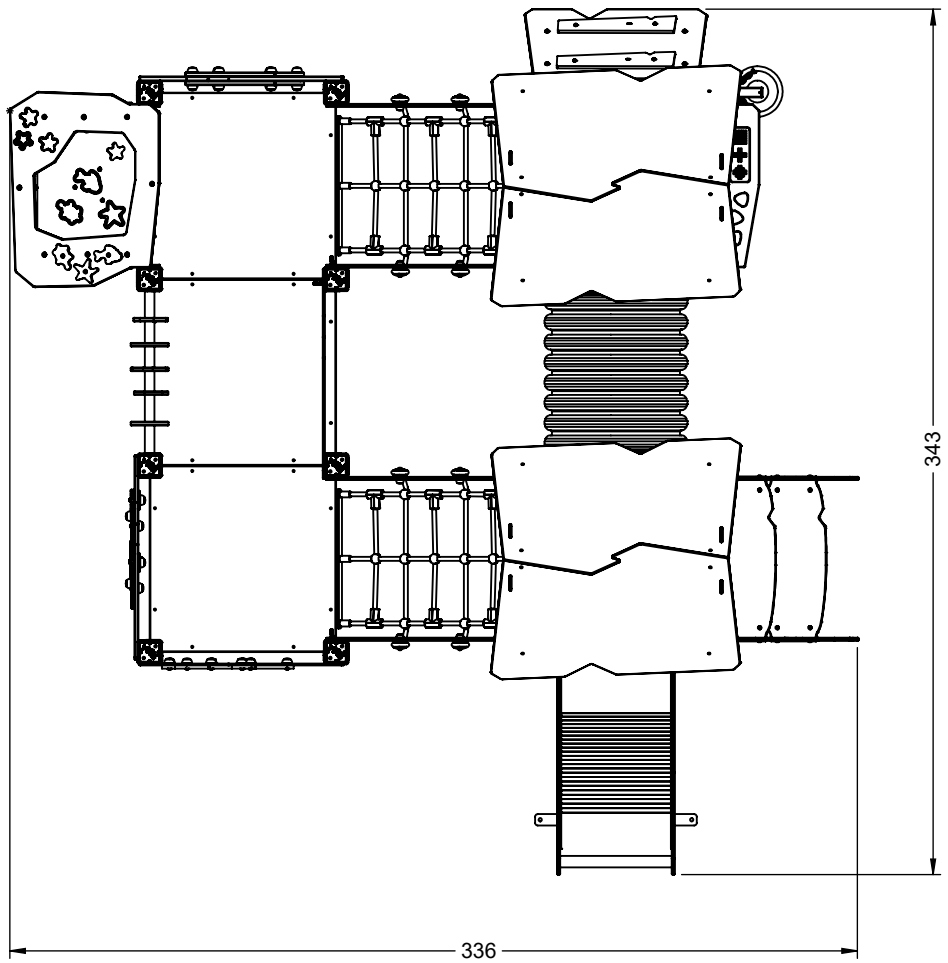
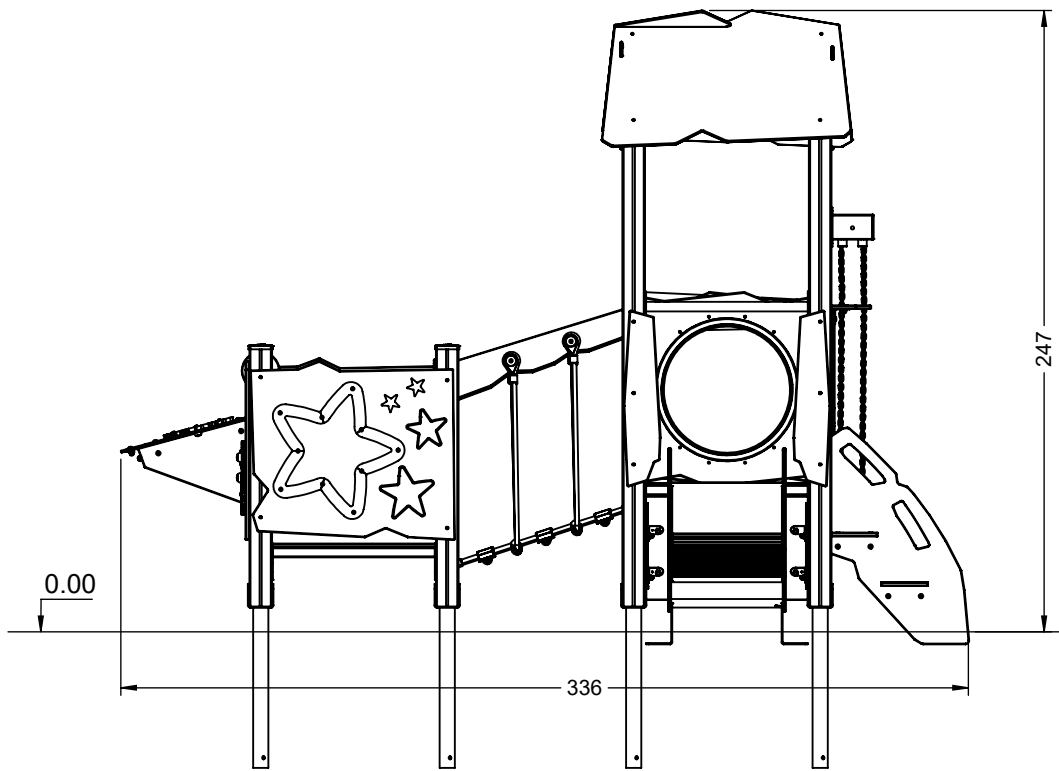


v013
13.12.2023
M.L.
[cm]



vinci
play

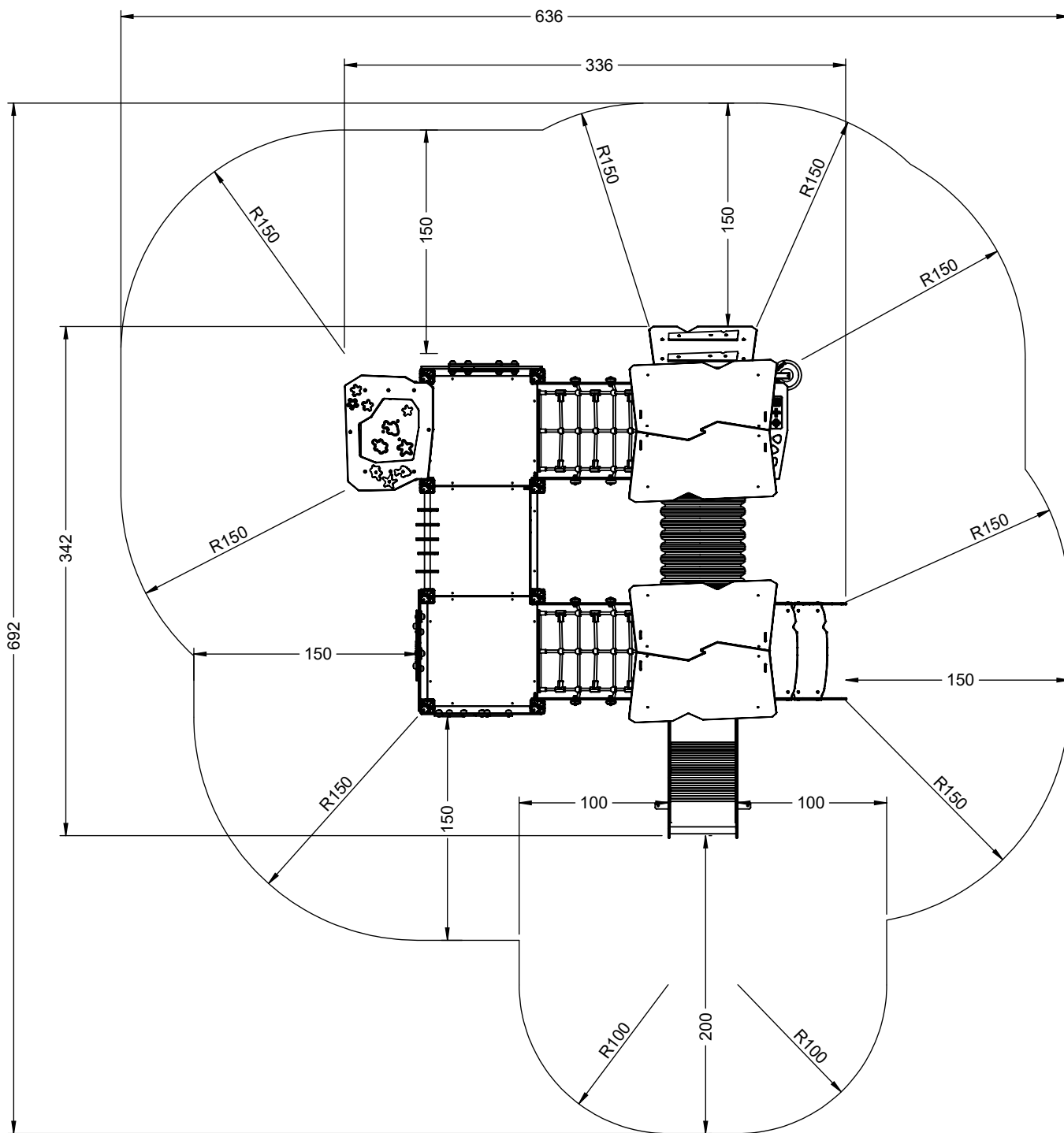




[cm]



vinci
play



[cm]



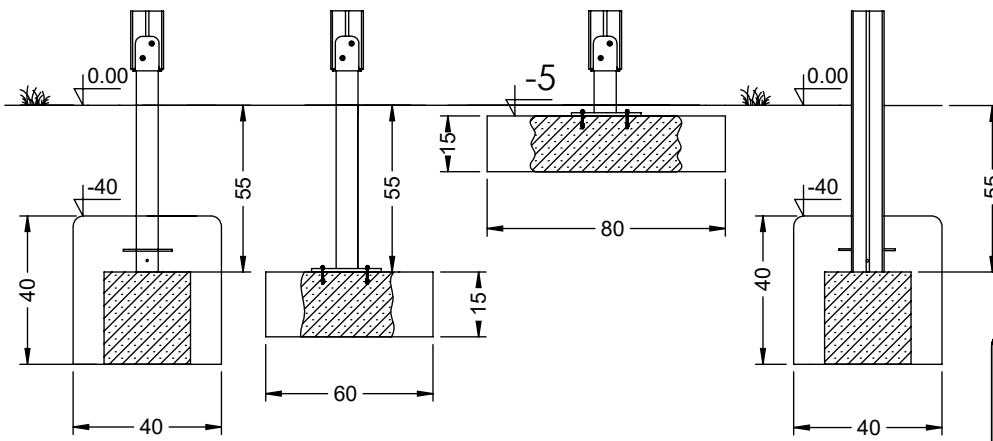
vinci
play

K1-(W)

K2

K3

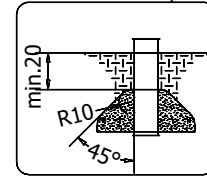
K1-(R)



A.

B.

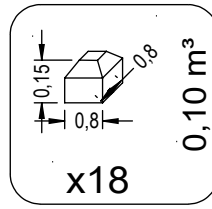
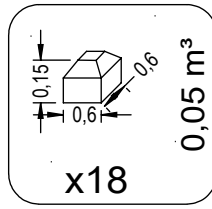
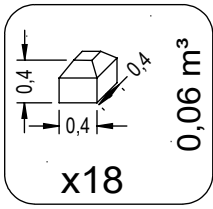
C.



K1

K2

K3



66x M10x120 (K2)
68x M10x120 (K3)



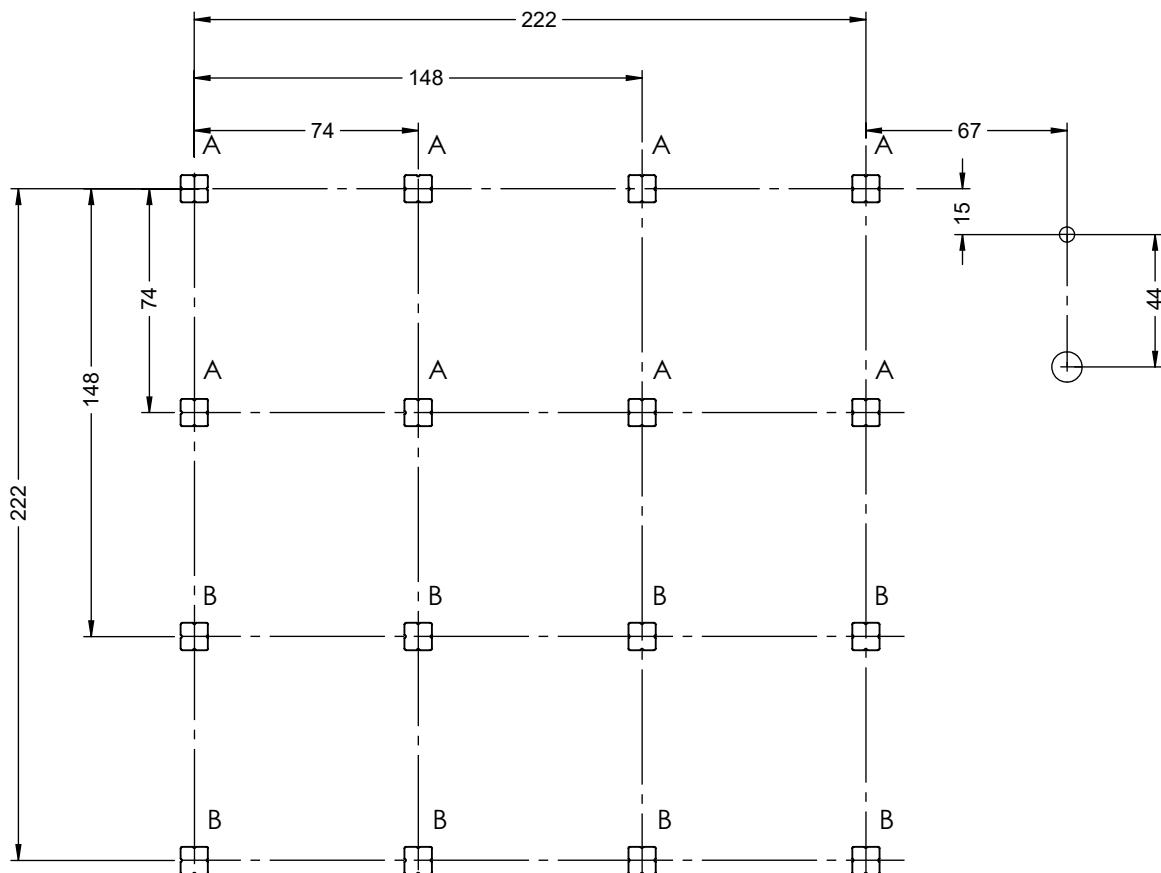
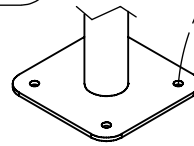
NOT INCLUDED



2x M8x120 (K2)



NOT INCLUDED



[cm]



vinci
play

WOOD - (W)

A

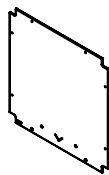


14719745
x8

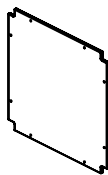
B



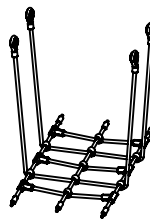
14710390
x8



141101
x1



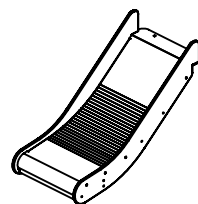
141100
x4



145248
x2



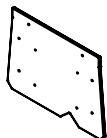
996143
x1



994108
x1



142117
x1



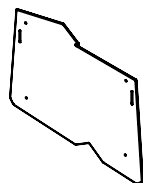
141131
x1



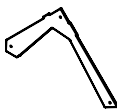
141133
x2



141132
x1



141120
x4



141123
x2



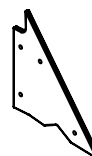
141122
x2



141189
x2



141188
x2



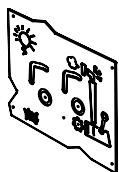
141323
x2



141152
x1



144227
x1



141232
x1



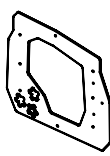
141233
x1



144126
x2



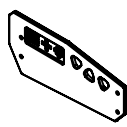
141250
x1



141302
x1



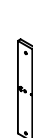
141153
x2



141253
x1



141261
x1



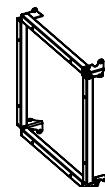
141262
x4



141301
x2



141321
x4



142109
x5



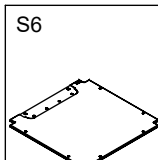
b341
x2



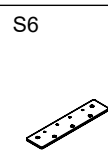
b342
x2



994121
x1



141103
x1



171233
x1



994160
x1

S6

S6

S6

		PLYWOOD / HDPE		HPL	
206x	8x50 sxi	1x	WD28(s1)	1x	WD29(s1)
2x	6x50 sxs	1x	WD113(s6)	1x	WD114(s6)
1x	E34(K1,K3)	2x	WD33	2x	WD34
1x	E35(K2)	5x	WD63	5x	WD64
8x	WD1	1x	WD17	1x	WD18
2x	WD66	1x	WD19	1x	WD20
1x	V001	1x	WD25	1x	WD26
1x	WD45	2x	WD72	2x	WD73
2x	WD54	2x	WD74	2x	WD75
1x	WD56	1x	WD76	1x	WD77
4x	WD59	1x	WD132	1x	WD132
		1x	WD134	2x	E130
		1x	WD94	1x	WD135
		1x	WD58	1x	WD95
		1x	WD60	1x	WD55
				1x	WD61
				1x	P061 s6

K1

142102
x16

K2

142108
x16

K3

142100
x16

K1, K2

P78
x2

HDPE

141140
x4

HPL

141277
x4

HPL

991241
x4

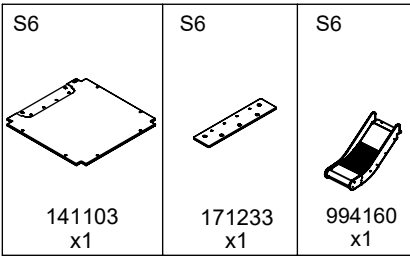
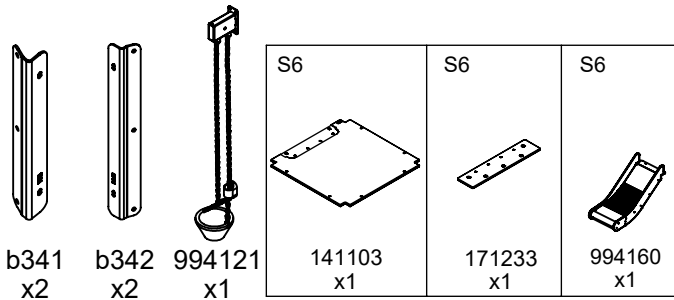
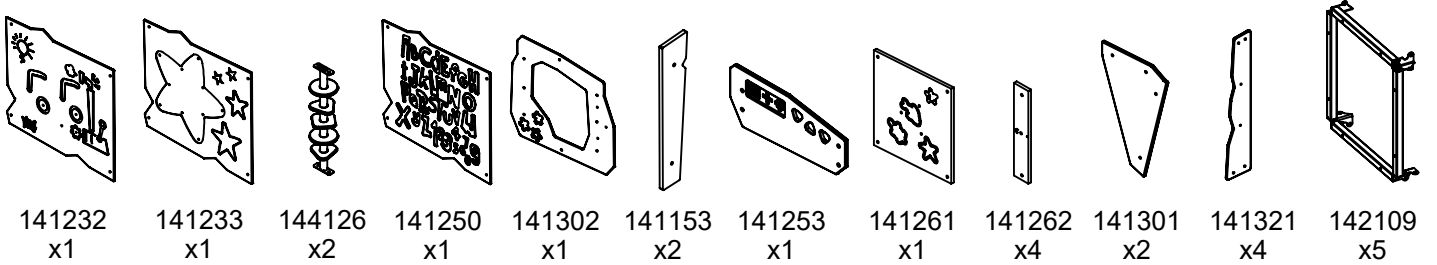
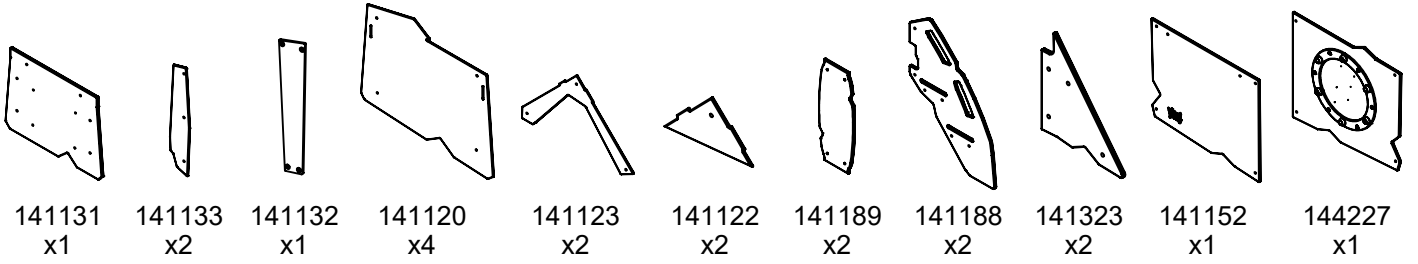
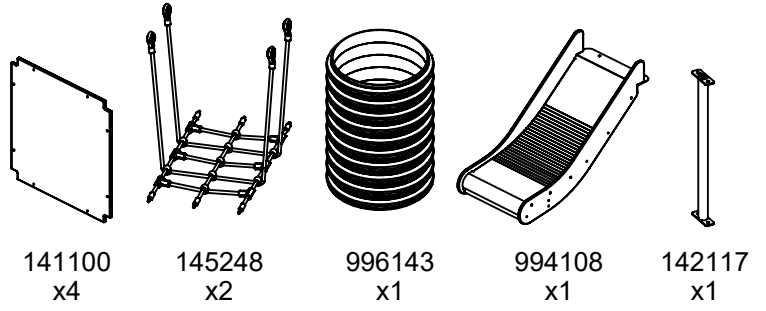
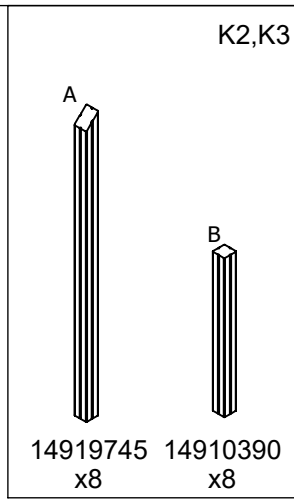
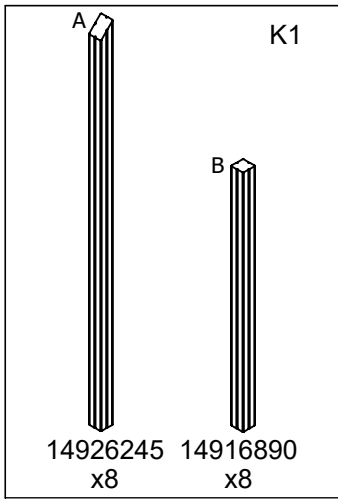
K3

b219-2
x2

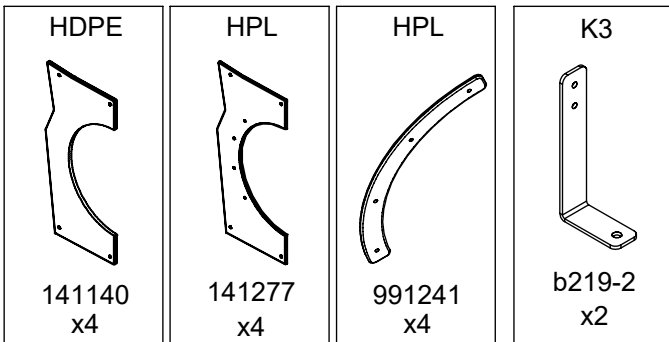
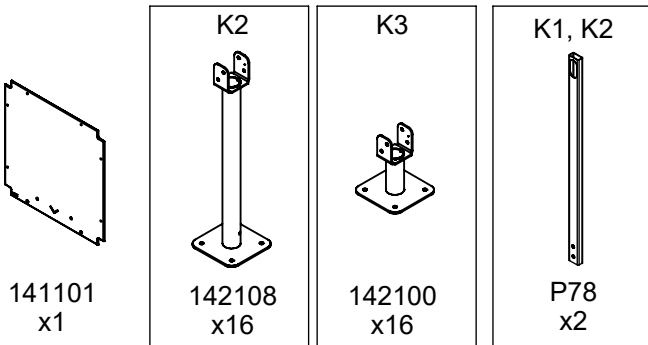
[cm]

vinci
play

RECYCLED - (R)

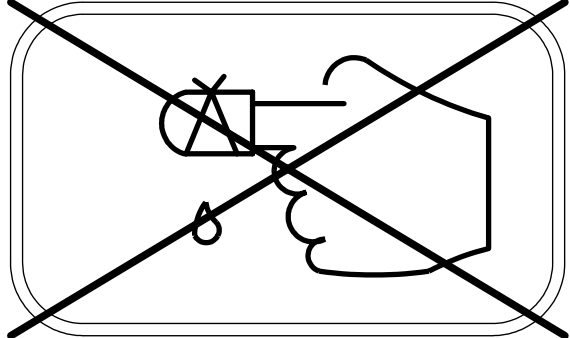
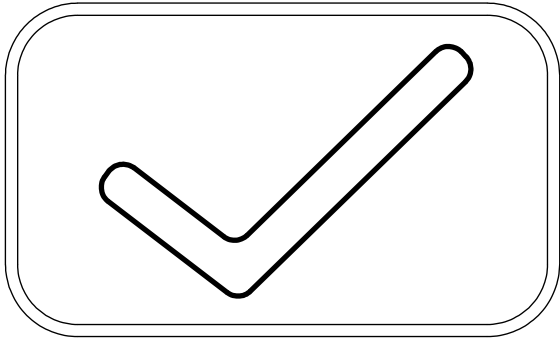
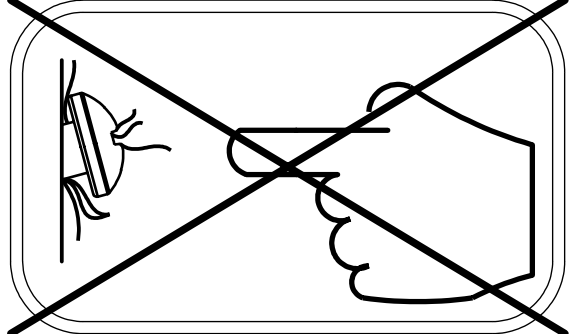
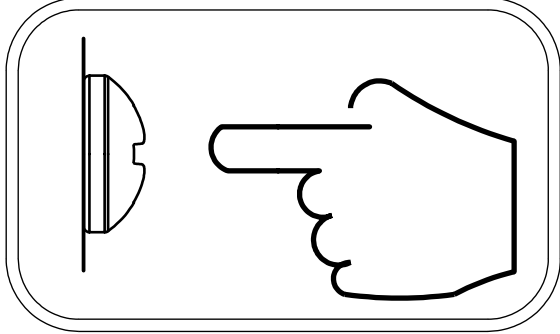
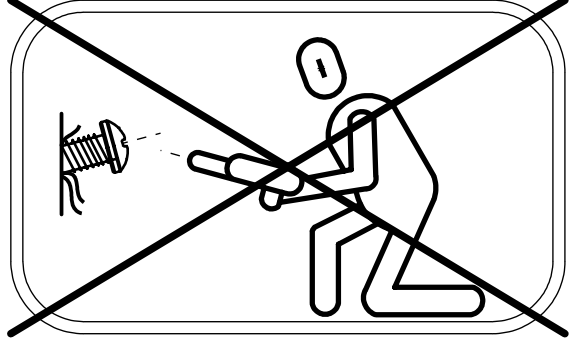
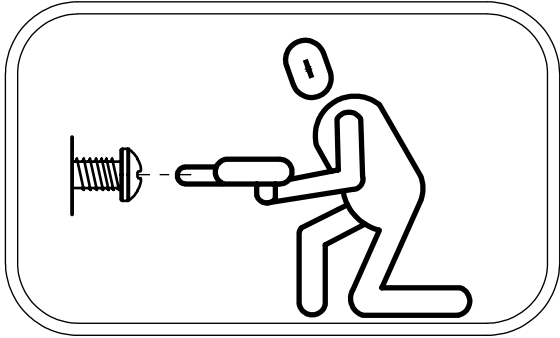


		PLYWOOD / HDPE		HPL	
64x	8x50 sxi (K2, K3)	1x	WD28(S1)	1x	WD29(S1)
142x	8x50 sxi	1x	WD113(S6)	1x	WD114(S6)
2x	6x50 sxs	2x	WD33	2x	WD34
1x	E34(K1, K3)	5x	WD63	5x	WD64
1x	E35(K2)	1x	WD17	1x	WD18
8x	WD1	1x	WD19Q	1x	WD20
2x	WD66	1x	WD25	1x	WD26
1x	V001	2x	WD72	2x	WD73
1x	WD45	2x	WD74	2x	WD75
2x	WD54	1x	WD76	1x	WD77
1x	WD56	1x	WD132	1x	WD132
4x	WD59	1x	WD134	2x	E130
		1x	WD94	1x	WD135
		1x	WD58	1x	WD95
		1x	WD60	1x	WD55
				1x	WD61
				1x	P061 s6



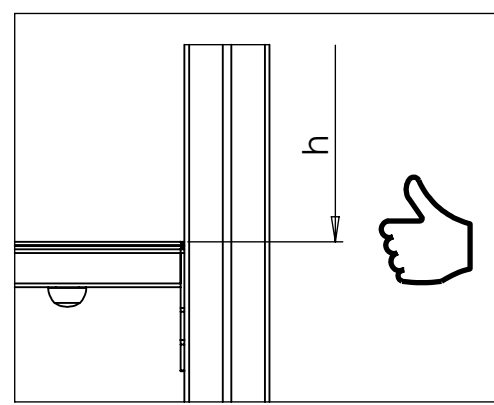
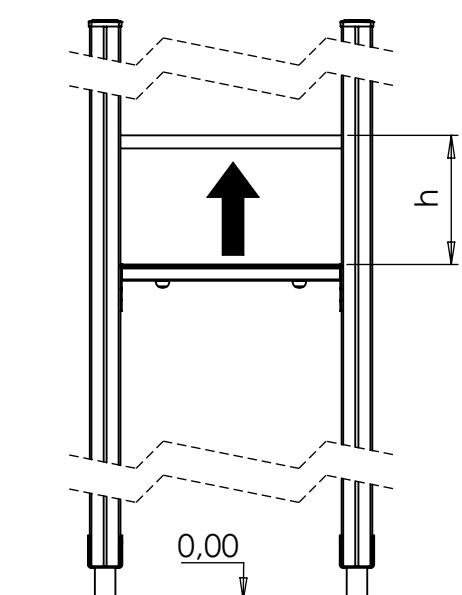
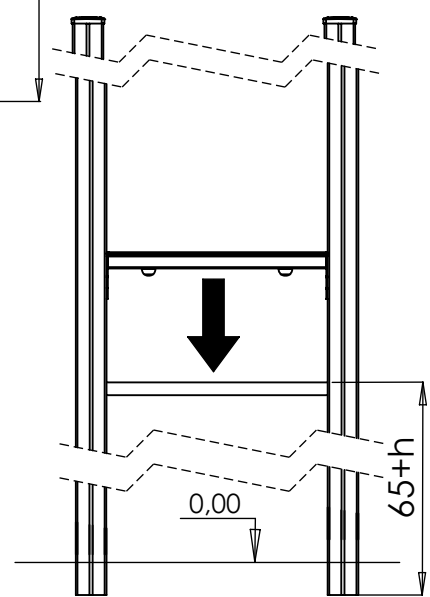
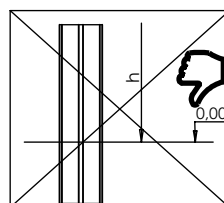
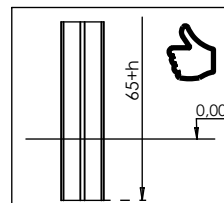
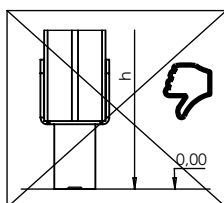
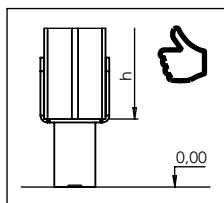
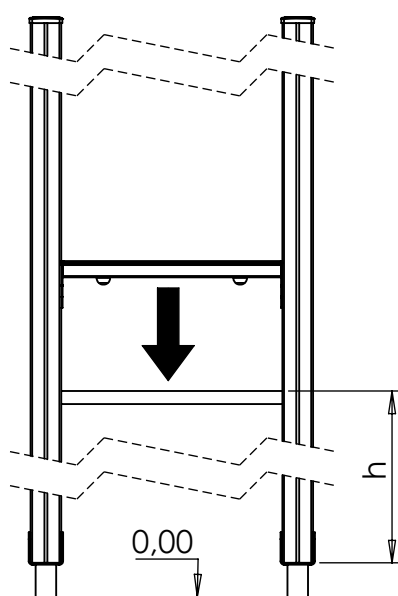
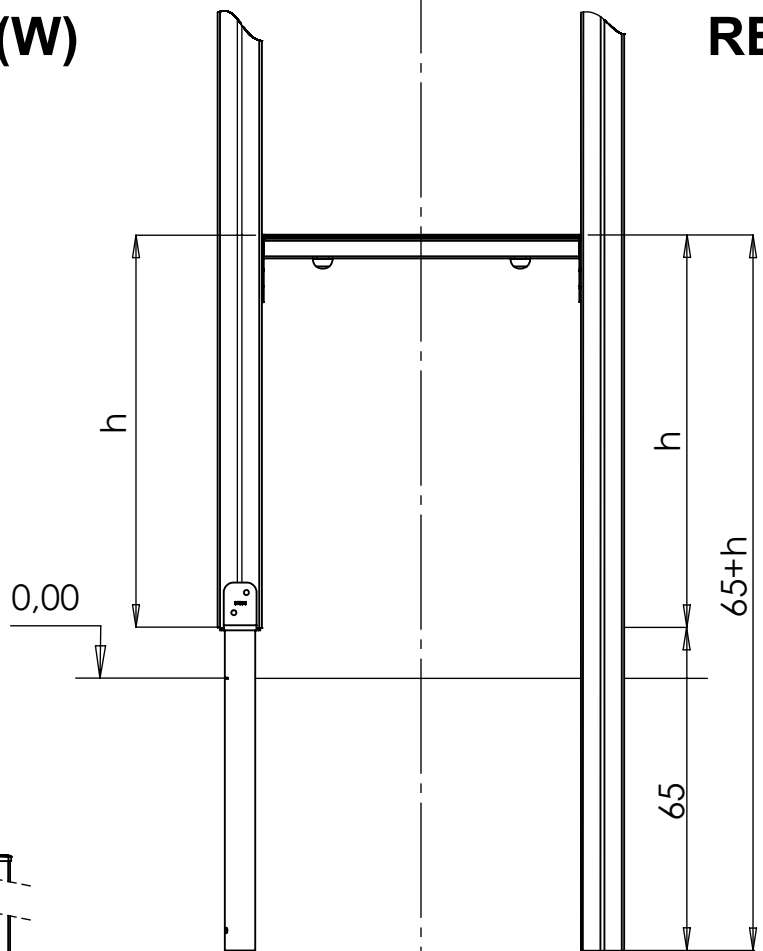
[cm]

vinci play



WOOD - (W)

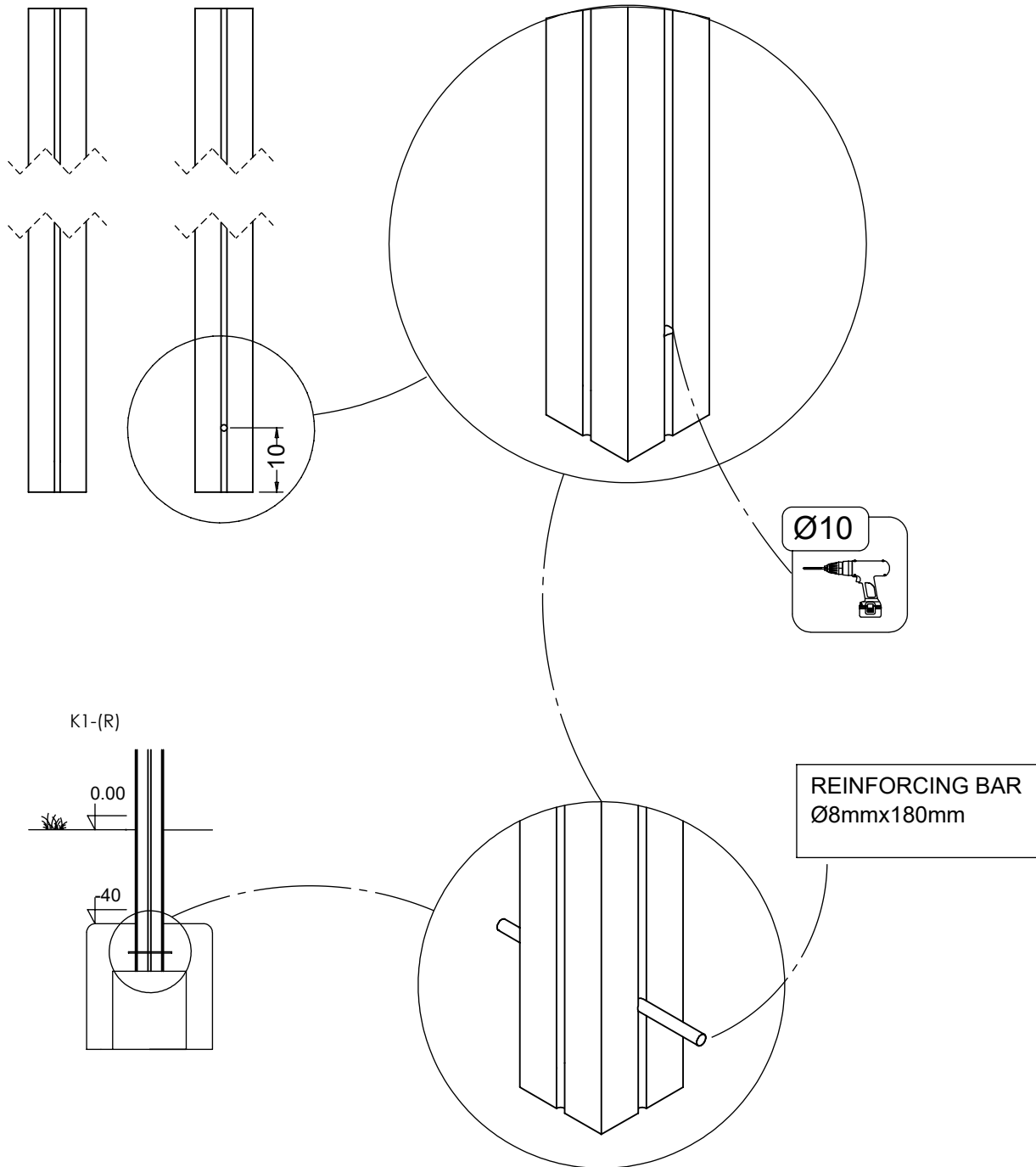
RECYCLED - (R)



[cm]

vinci play

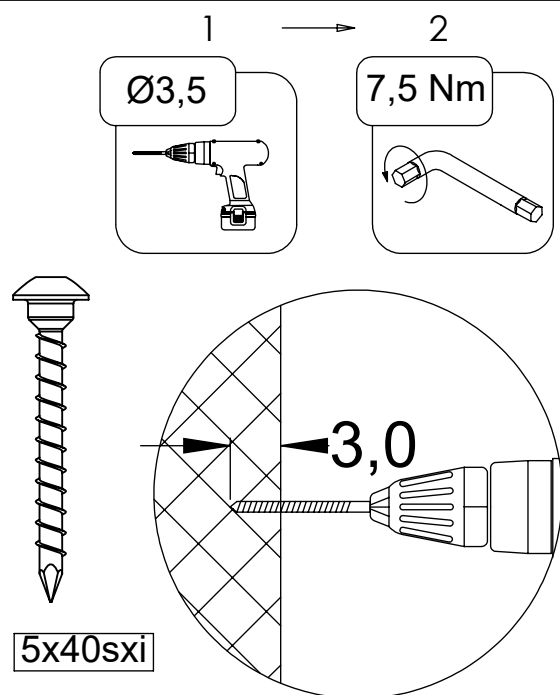
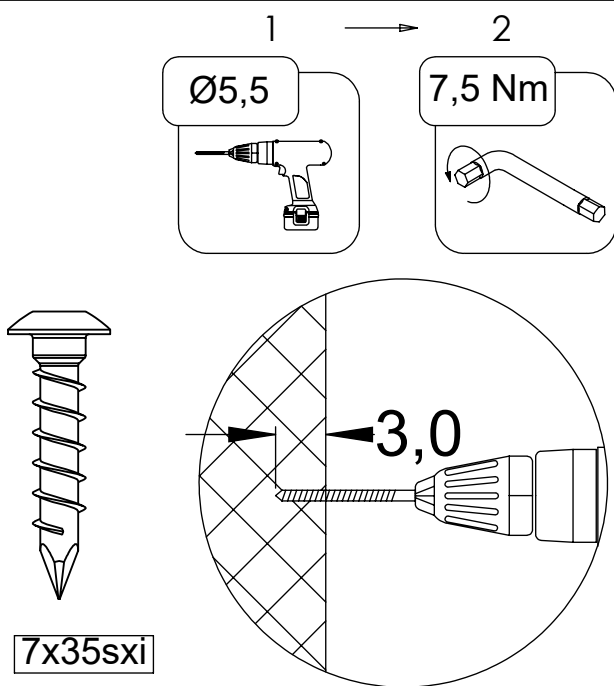
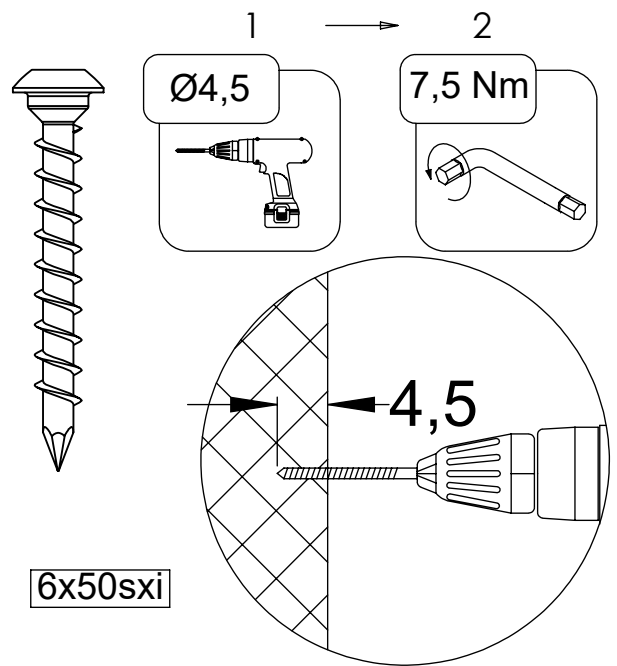
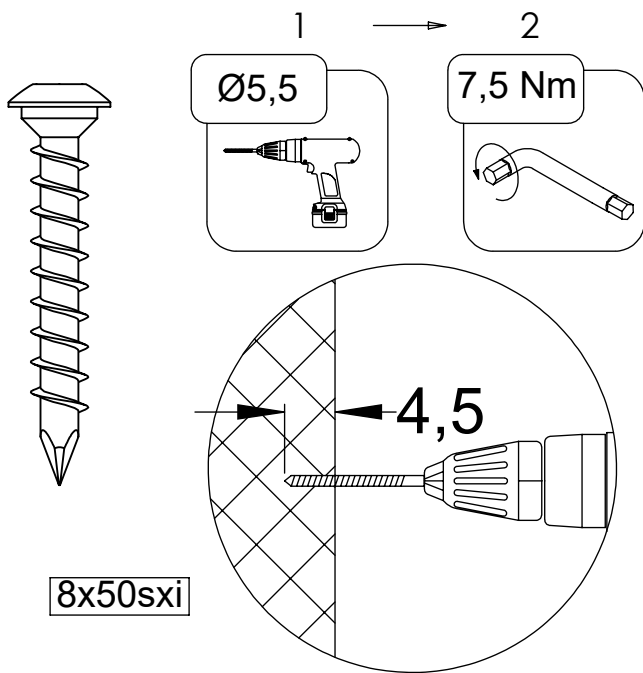
RECYCLED!

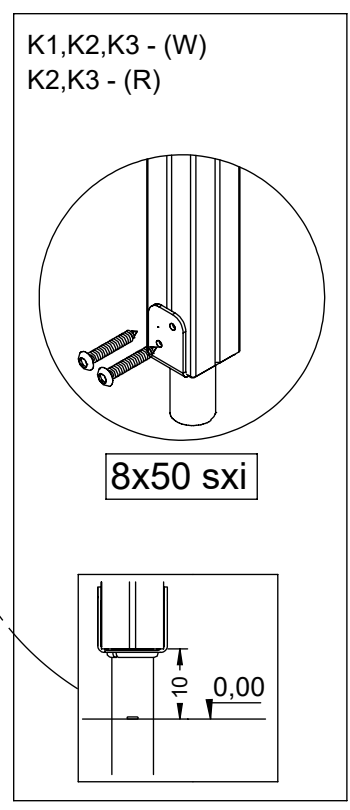
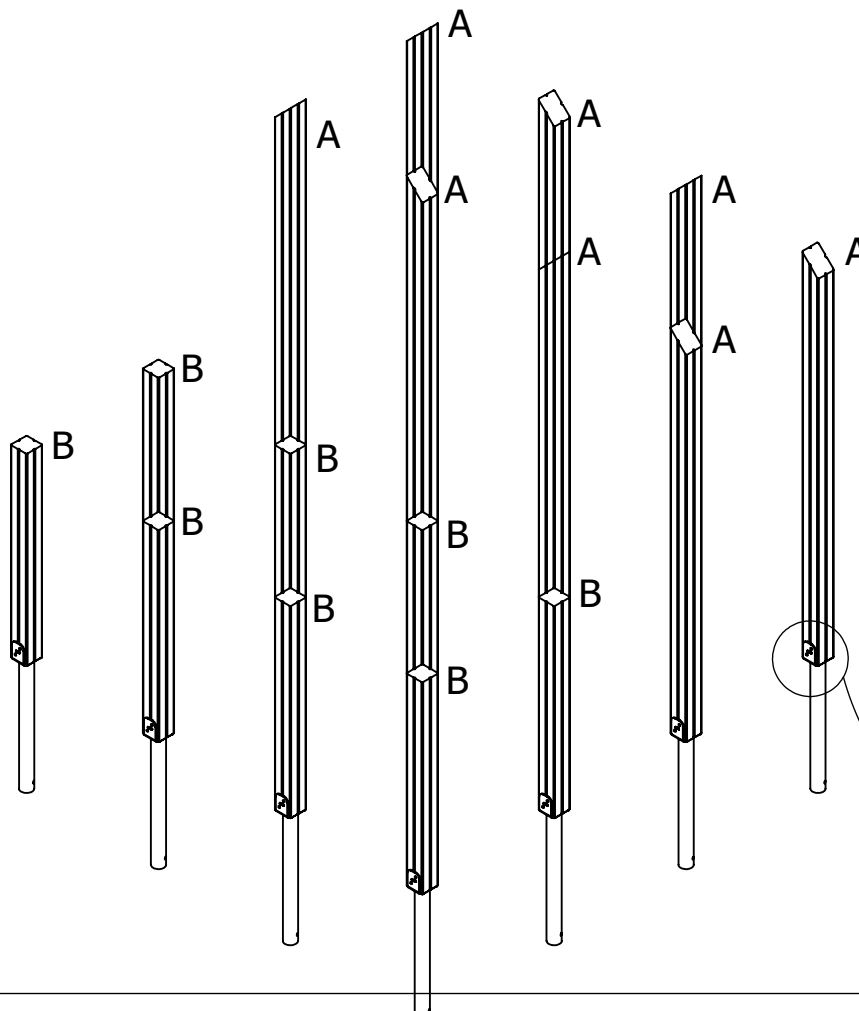


[cm]

vinci
play

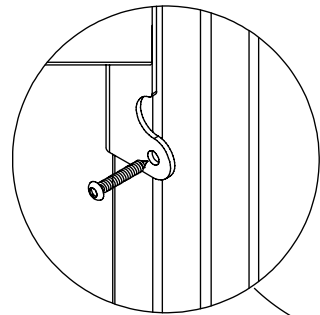
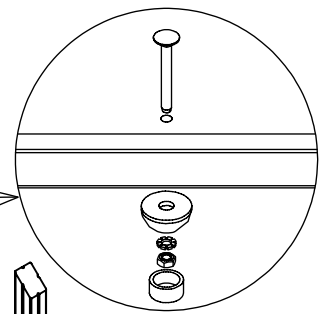
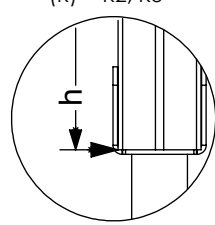
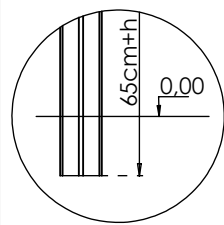
RECYCLED!



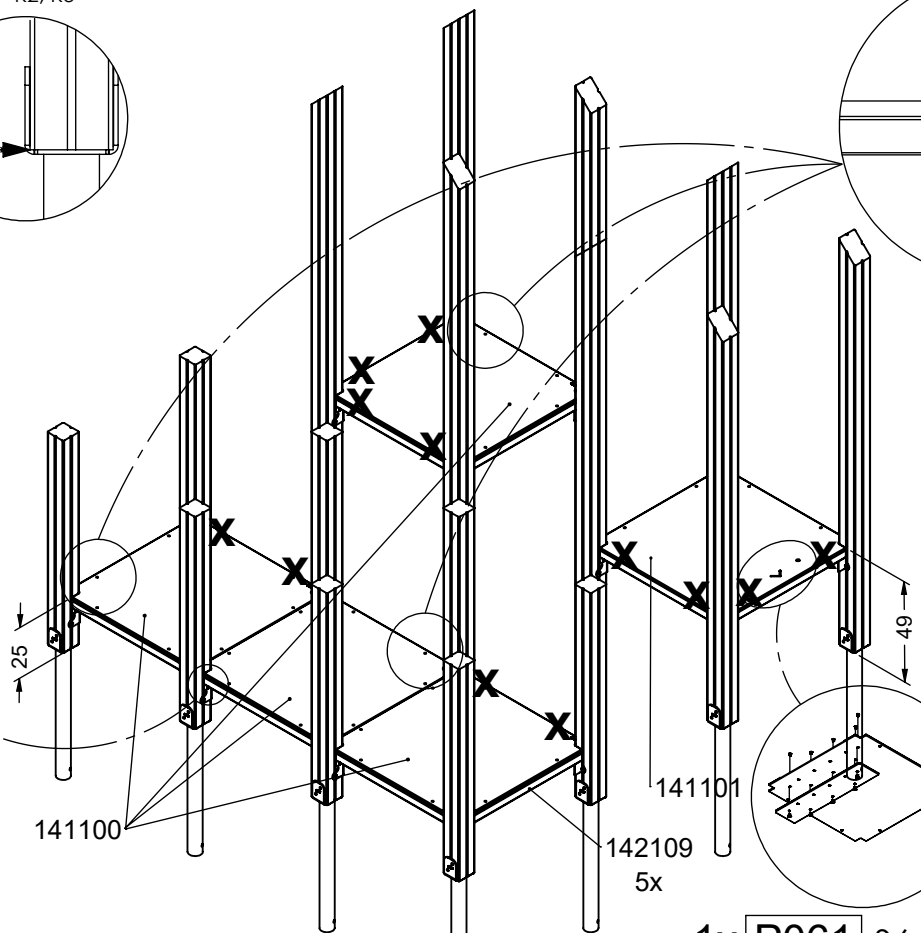


(R)-K1

(W) - K1, K2, K3
(R) - K2, K3



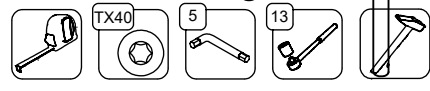
40x 8x50 sxi



- PLYWOOD 2x WD72
- HPL 2x WD73
- PLYWOOD 2x WD74
- HPL 2x WD75
- PLYWOOD 1x WD76
- HPL 1x WD77

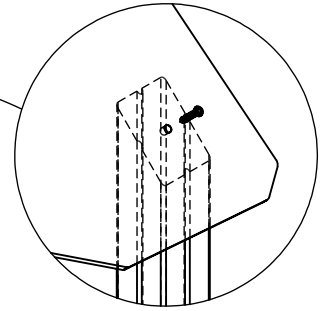
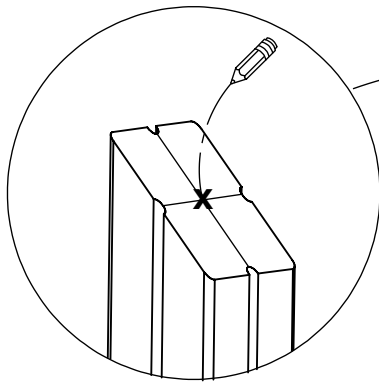
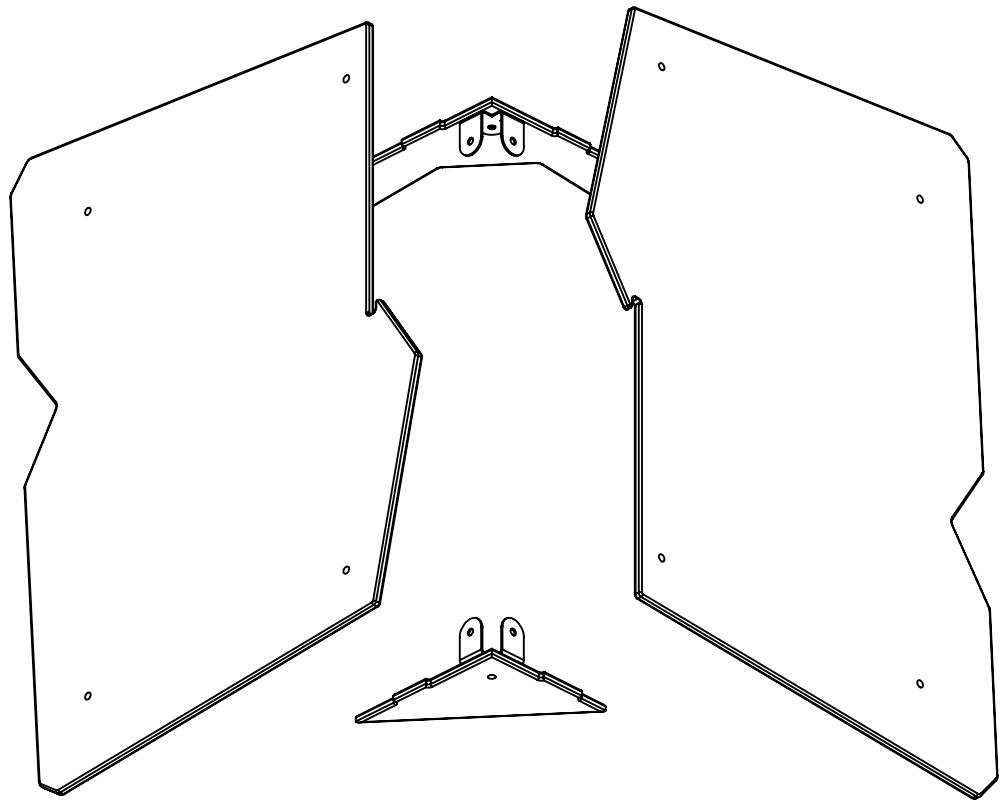
1x P061 S6

vinci play

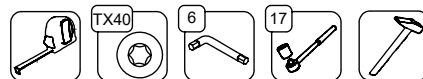
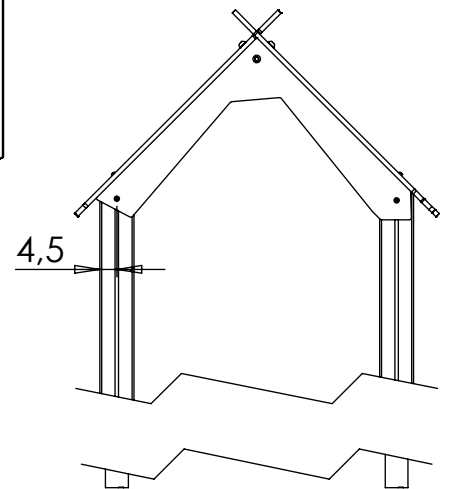
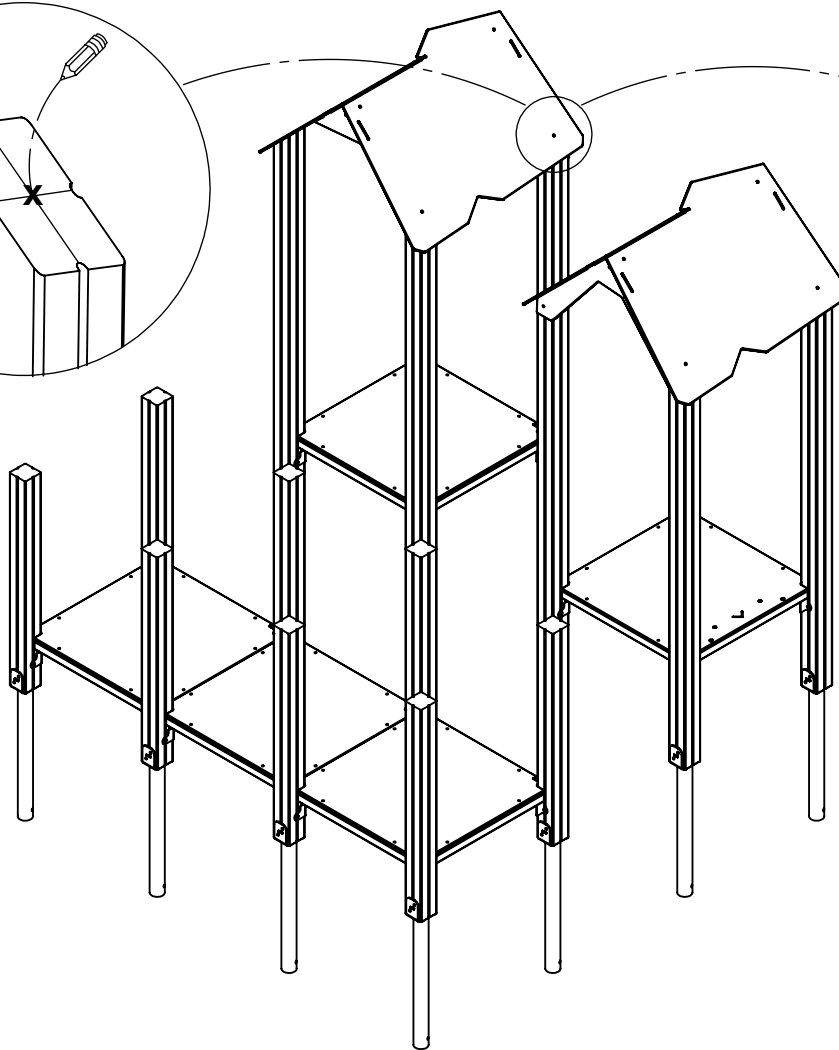


[cm]

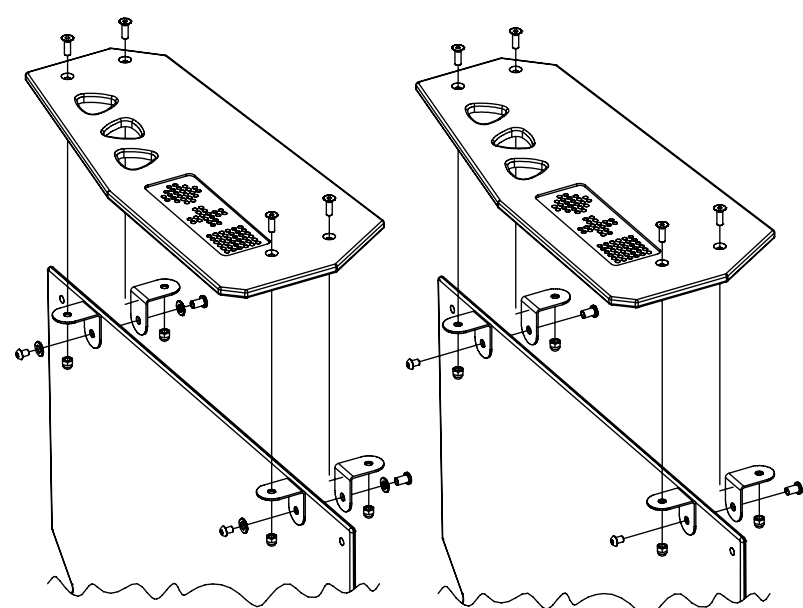
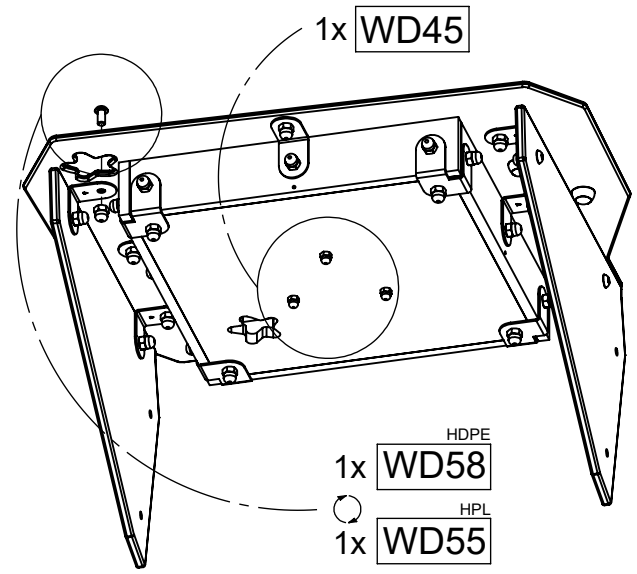
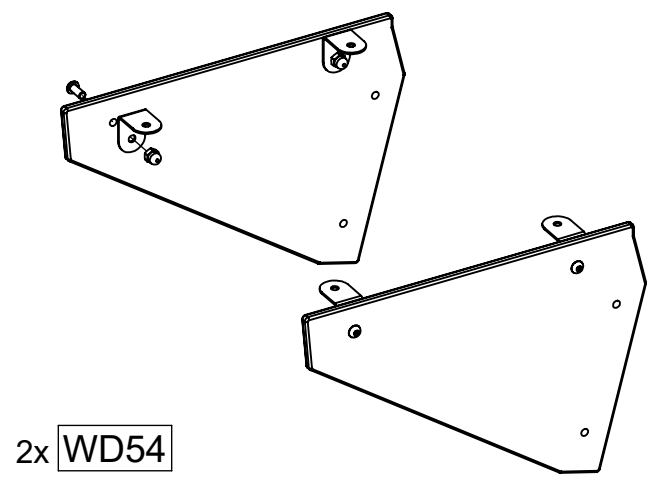
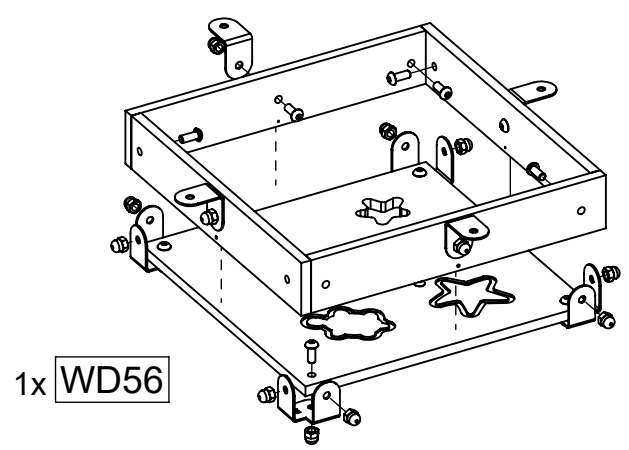
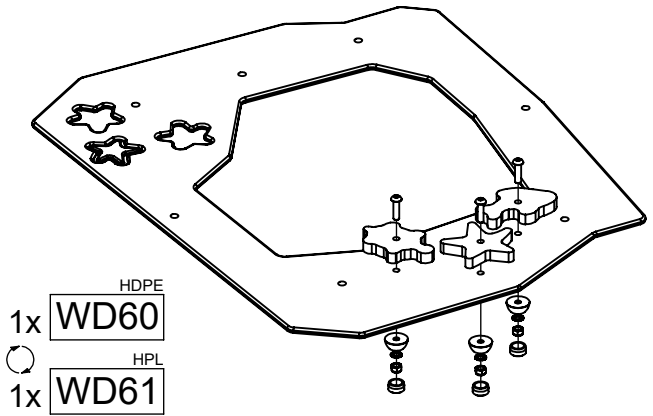
2x ^{HDPE} **WD33**
 2x ^{HPL} **WD34**



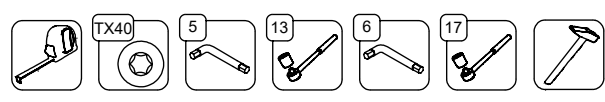
12x 8x50 sxi

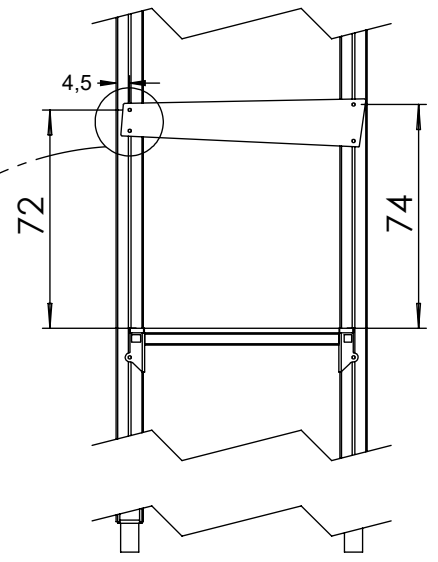
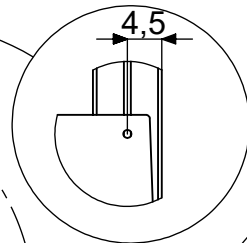
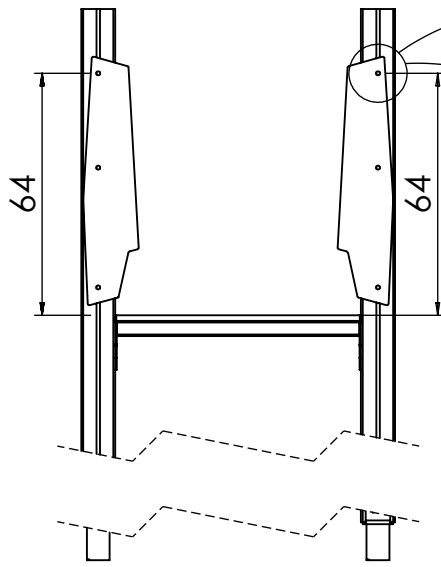


vinci play

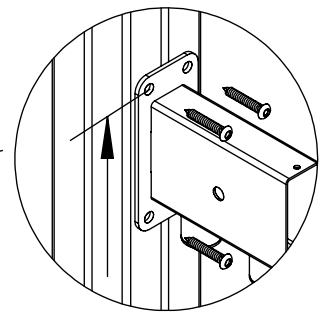


1x ^{HDPE} WD133 1x ^{HPL} WD133

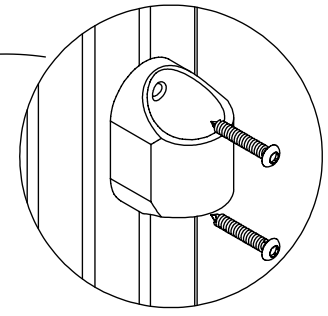




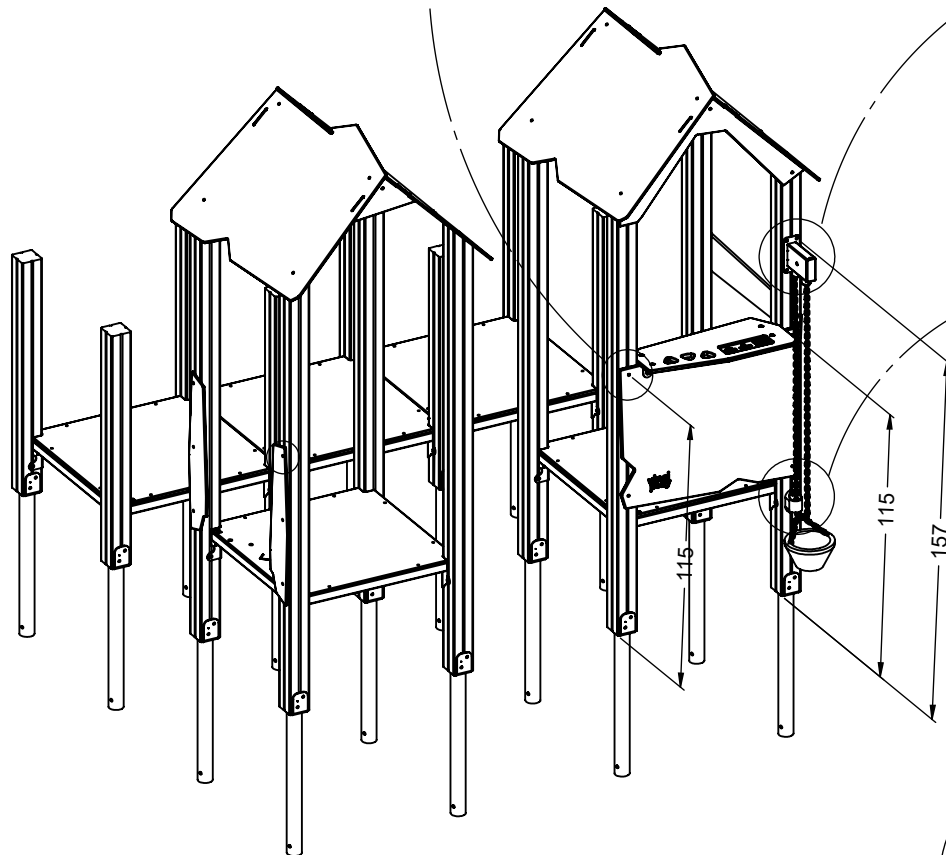
14x **8x50 sxi**



4x **8x50 sxi**

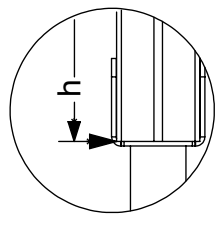
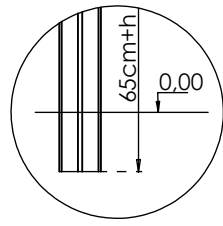


2x **6x50 sxs**



(R)-K1

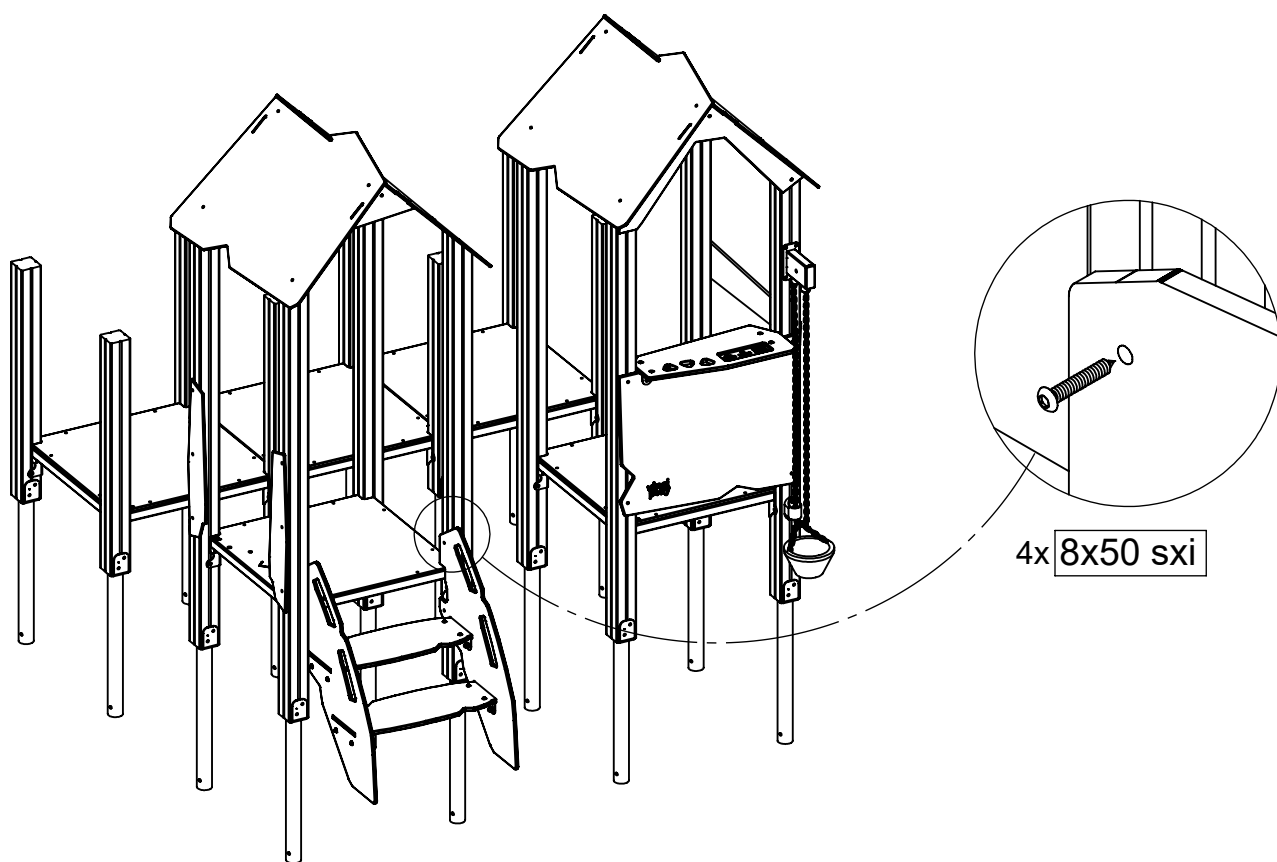
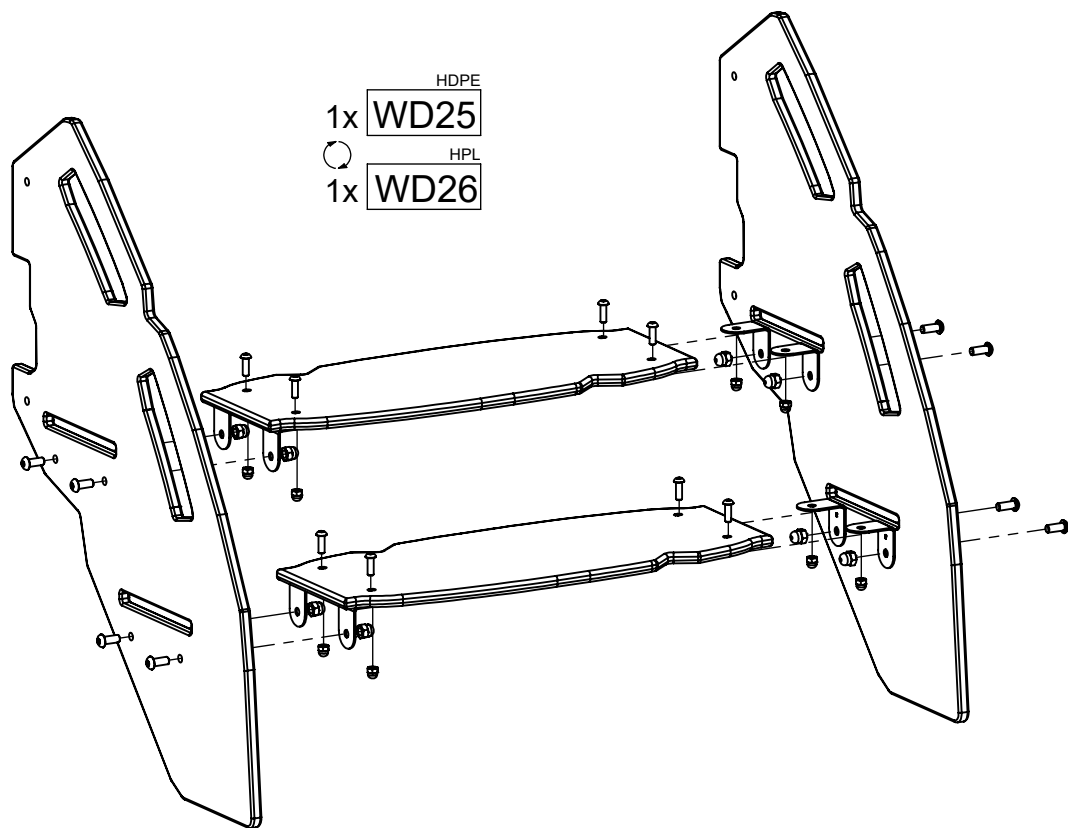
(W) - K1, K2, K3
(R) - K2, K3



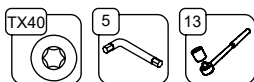
[cm]



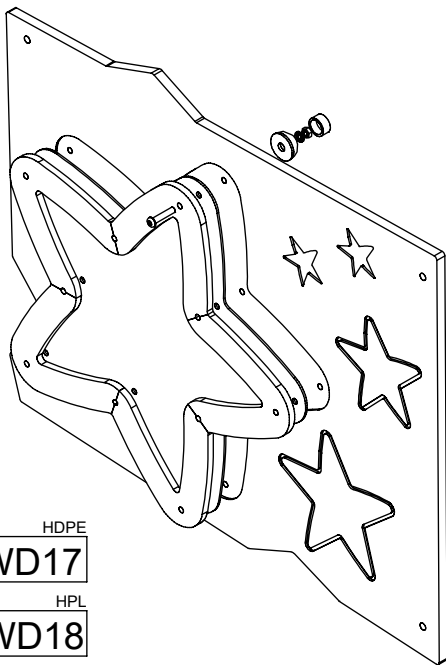
vinci
play



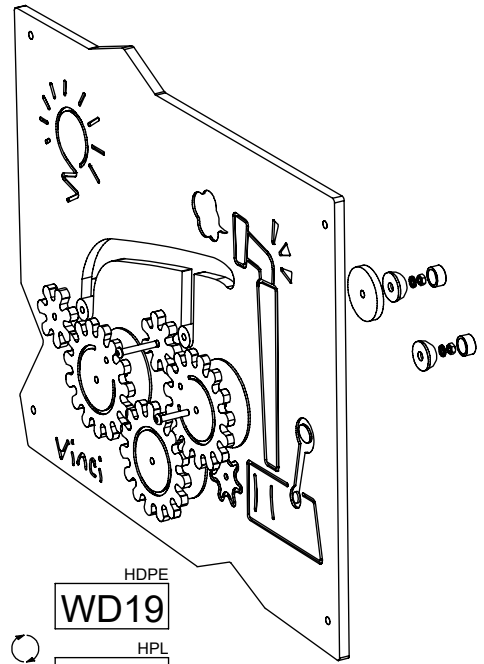
[cm]



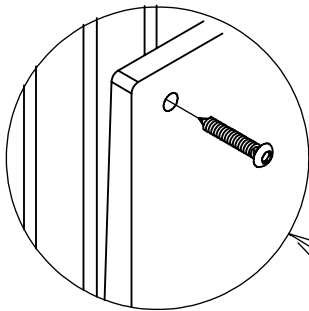
vinci
play



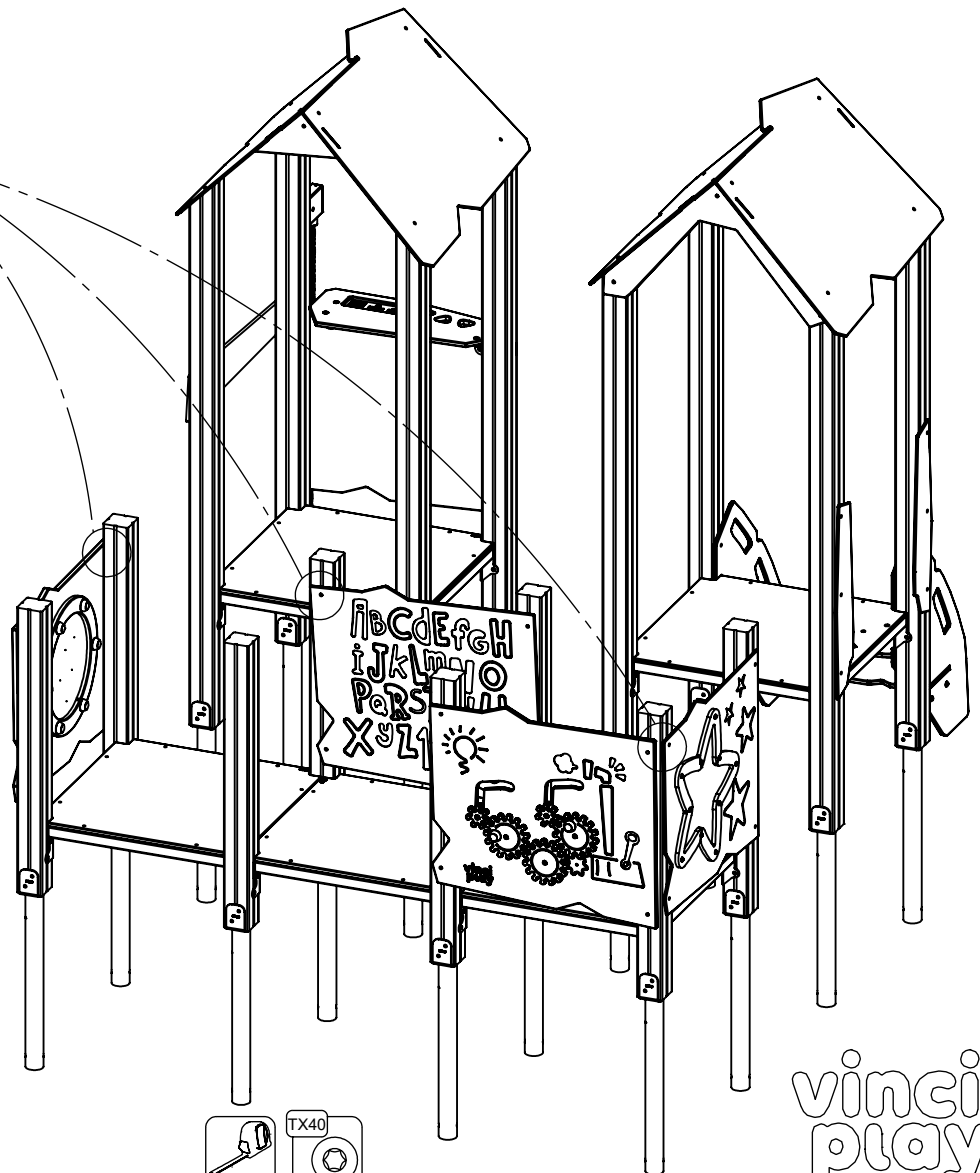
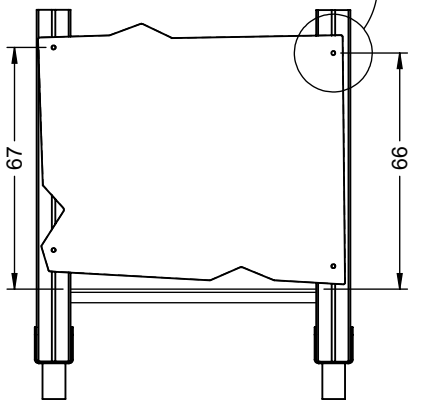
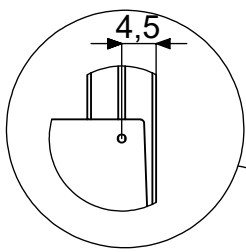
1x ^{HDPE} **WD17**
 1x ^{HPL} **WD18**



1x ^{RECYCLED} **WD19Q**
 1x ^{HDPE} **WD19**
 1x ^{HPL} **WD20**

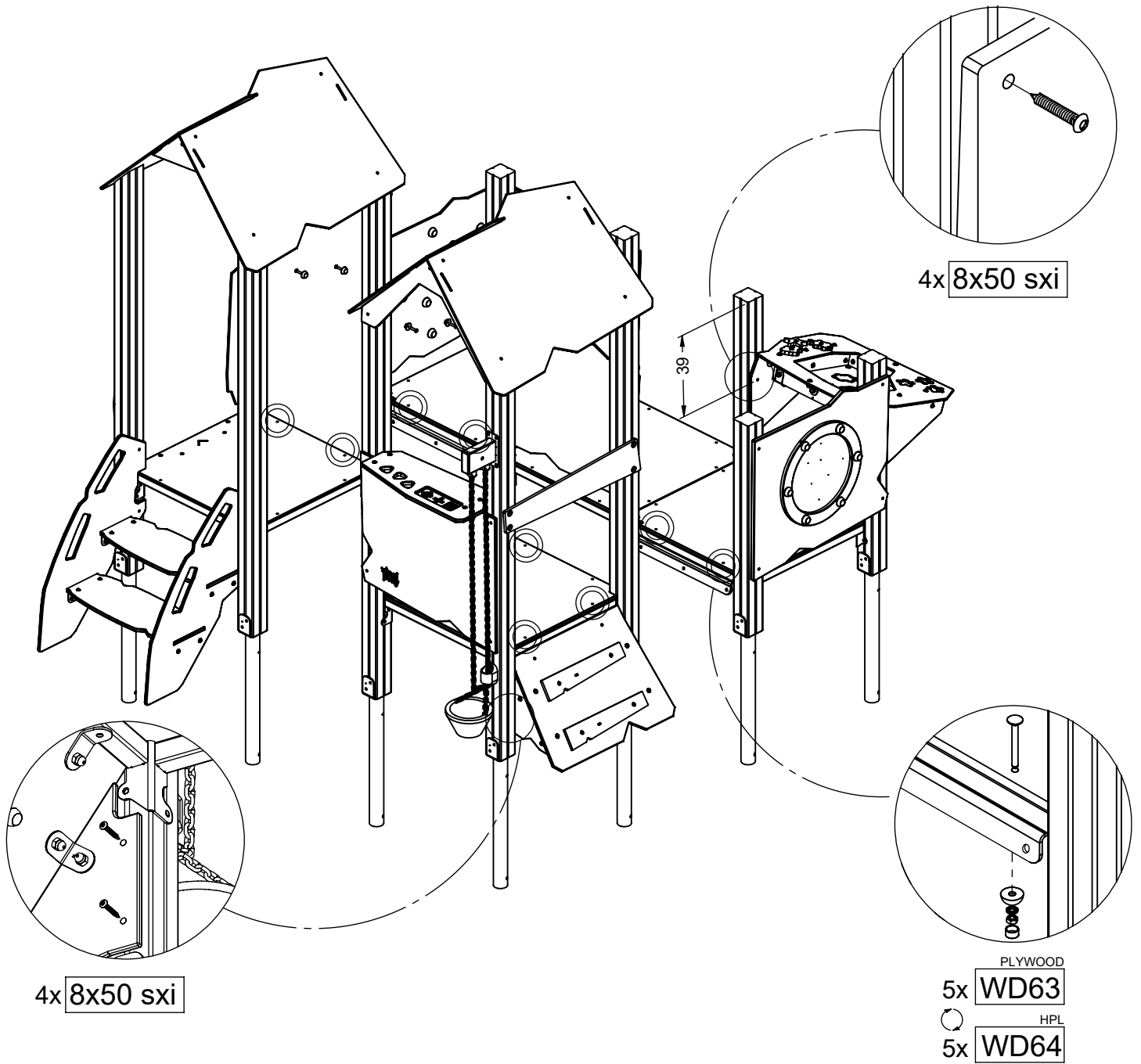
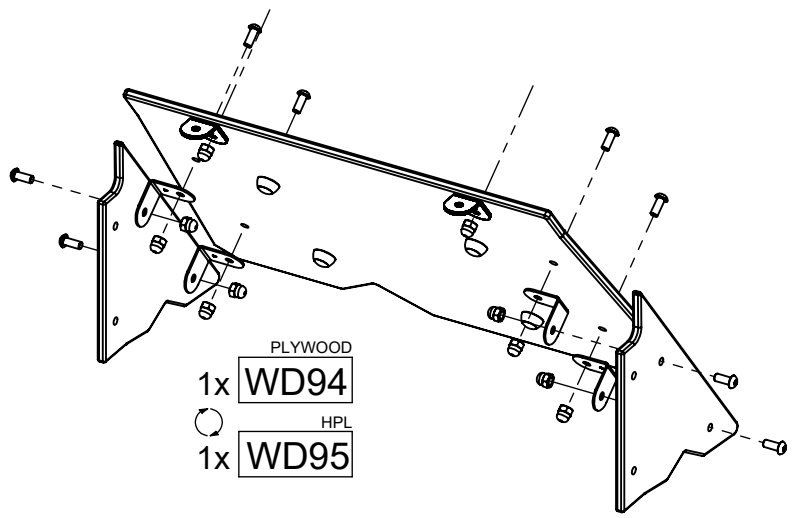
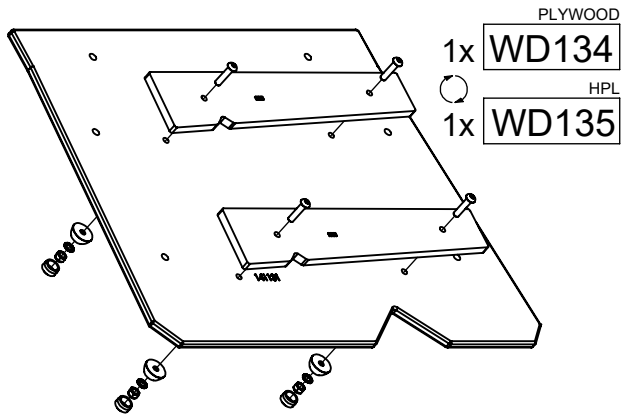


16x **8x50 sxi**

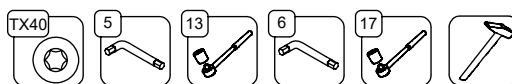


vinci
play

[cm]

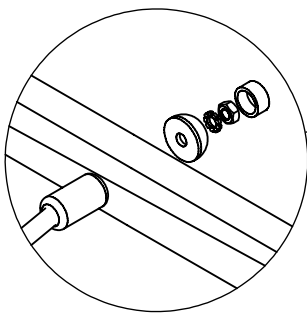


[cm]

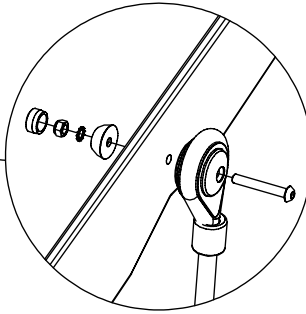
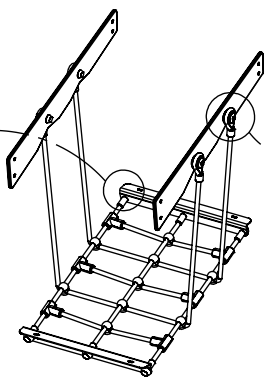


vinci
play

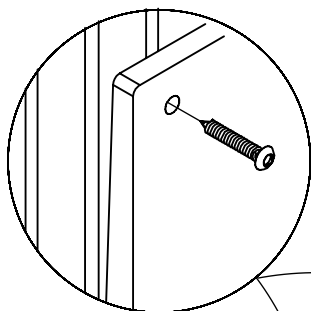
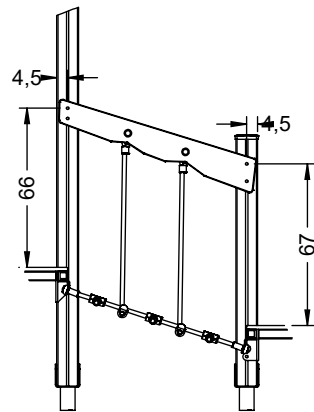
x2



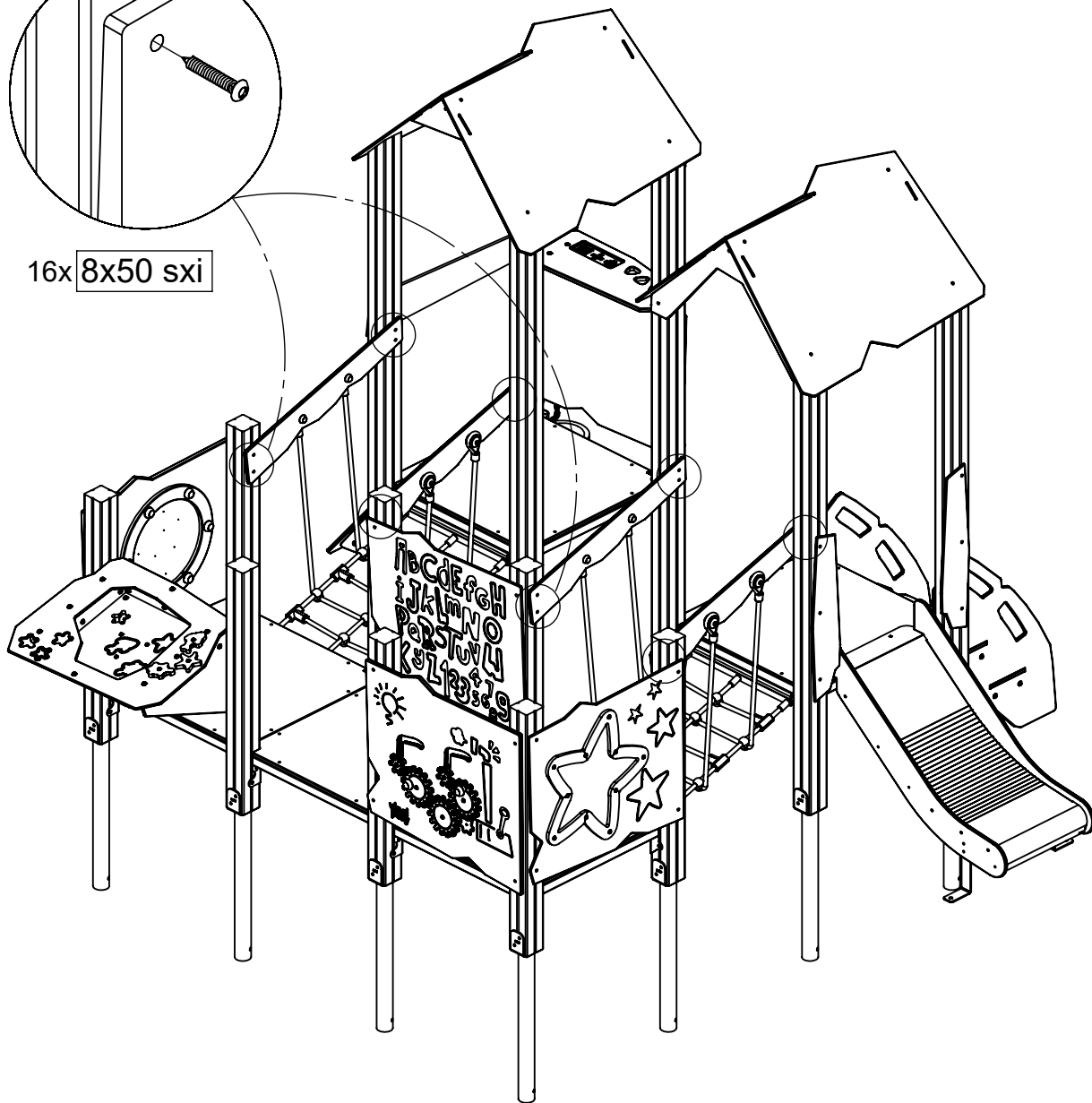
1x WD66



2x WD59



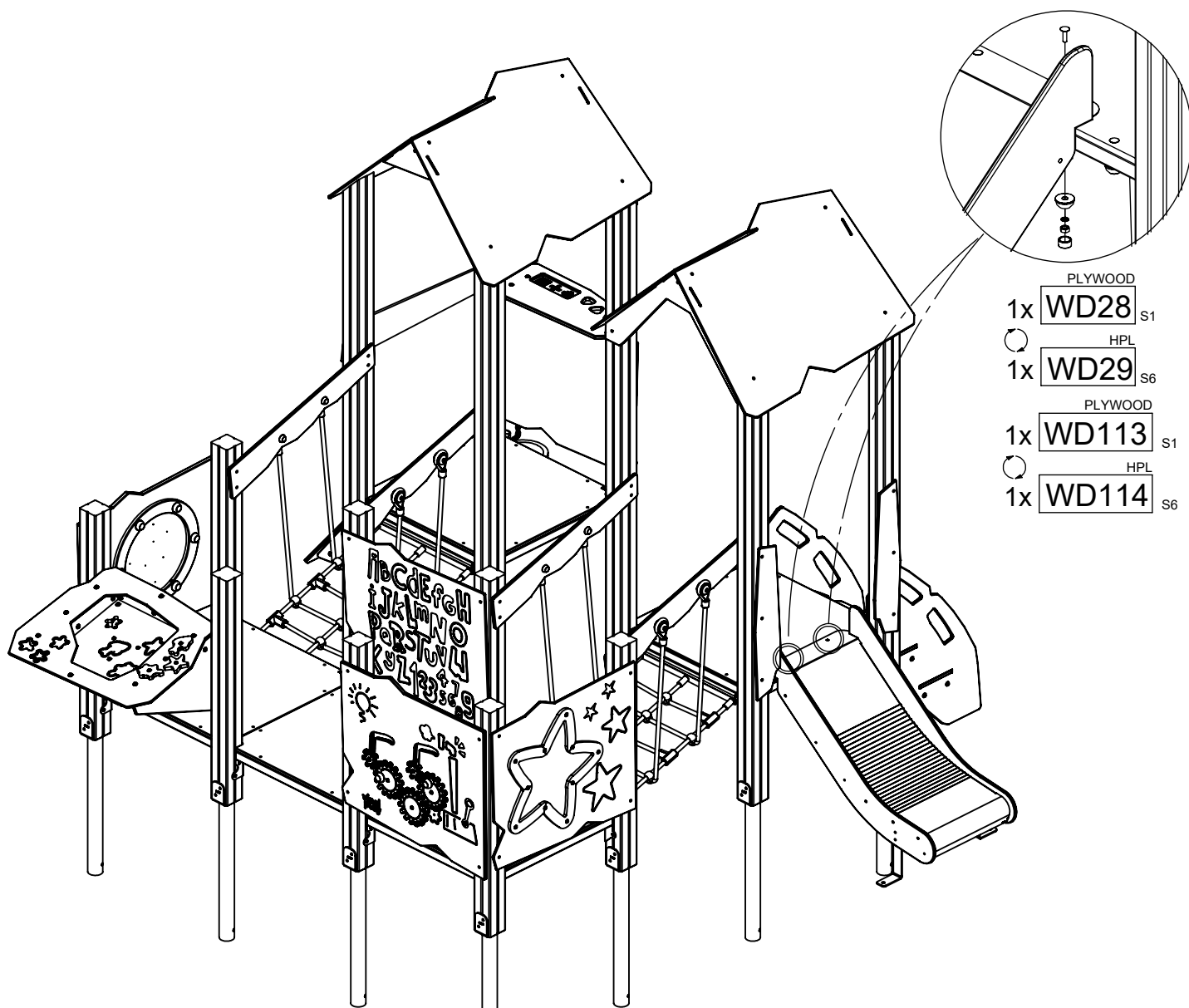
16x 8x50 sxi



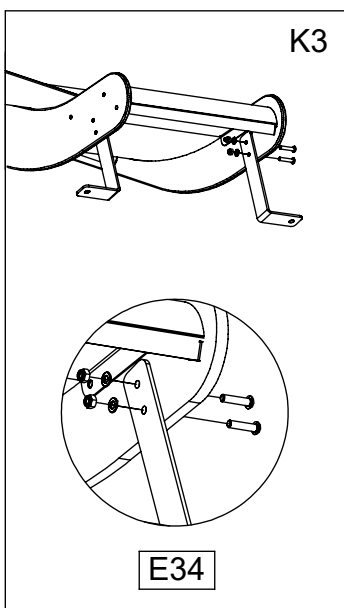
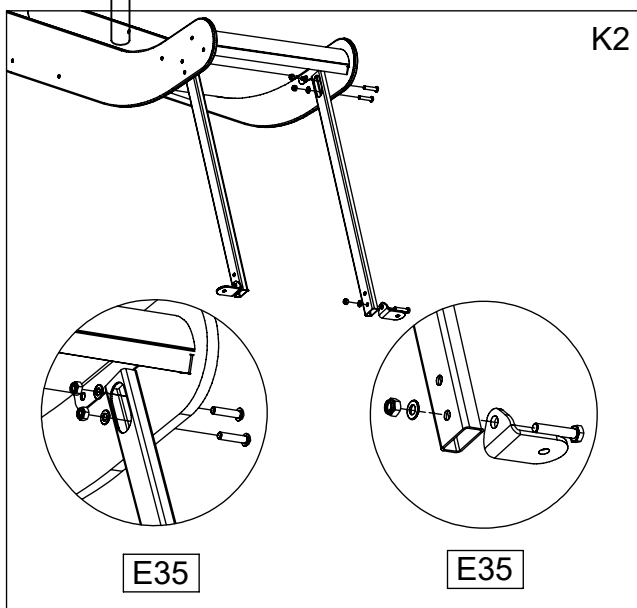
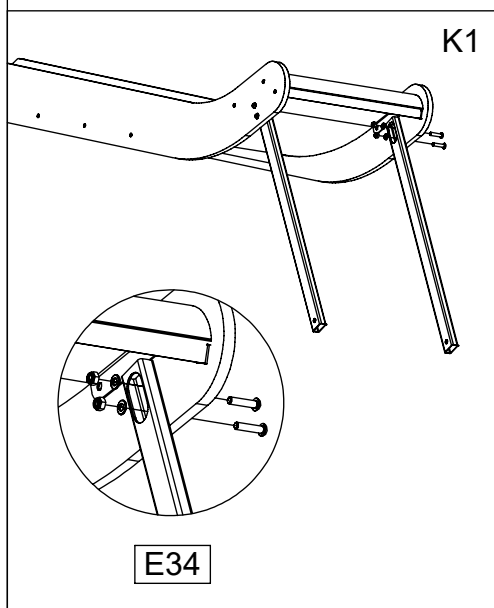
[cm]



vinci play



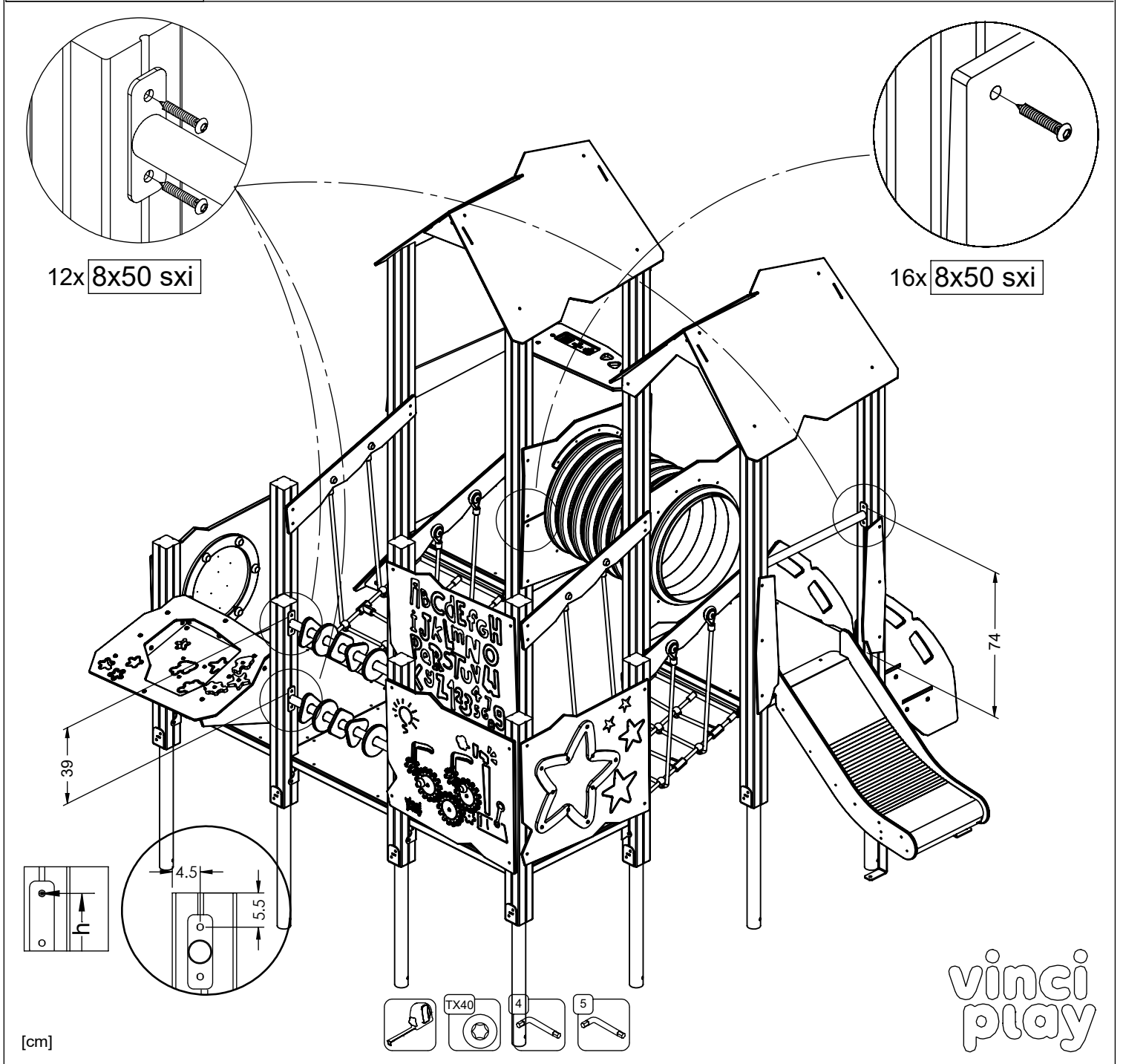
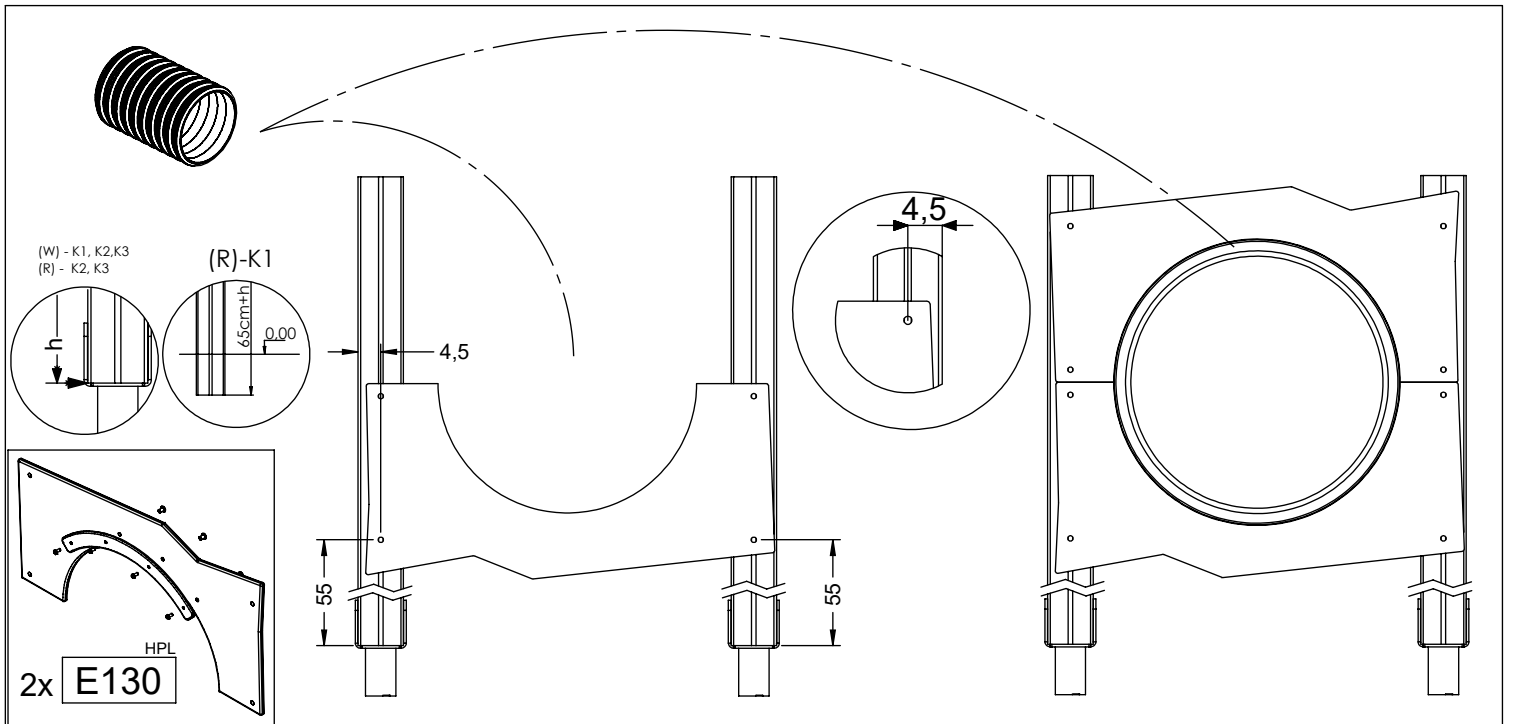
- PLYWOOD
- 1x **WD28** S1
- HPL
- 1x **WD29** S6
- PLYWOOD
- 1x **WD113** S1
- HPL
- 1x **WD114** S6

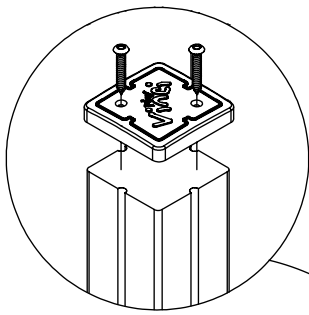


[cm]

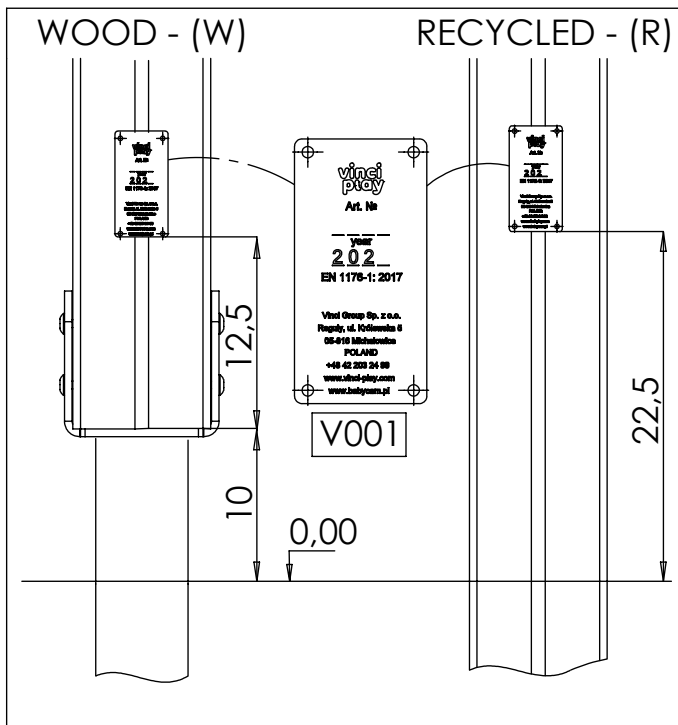
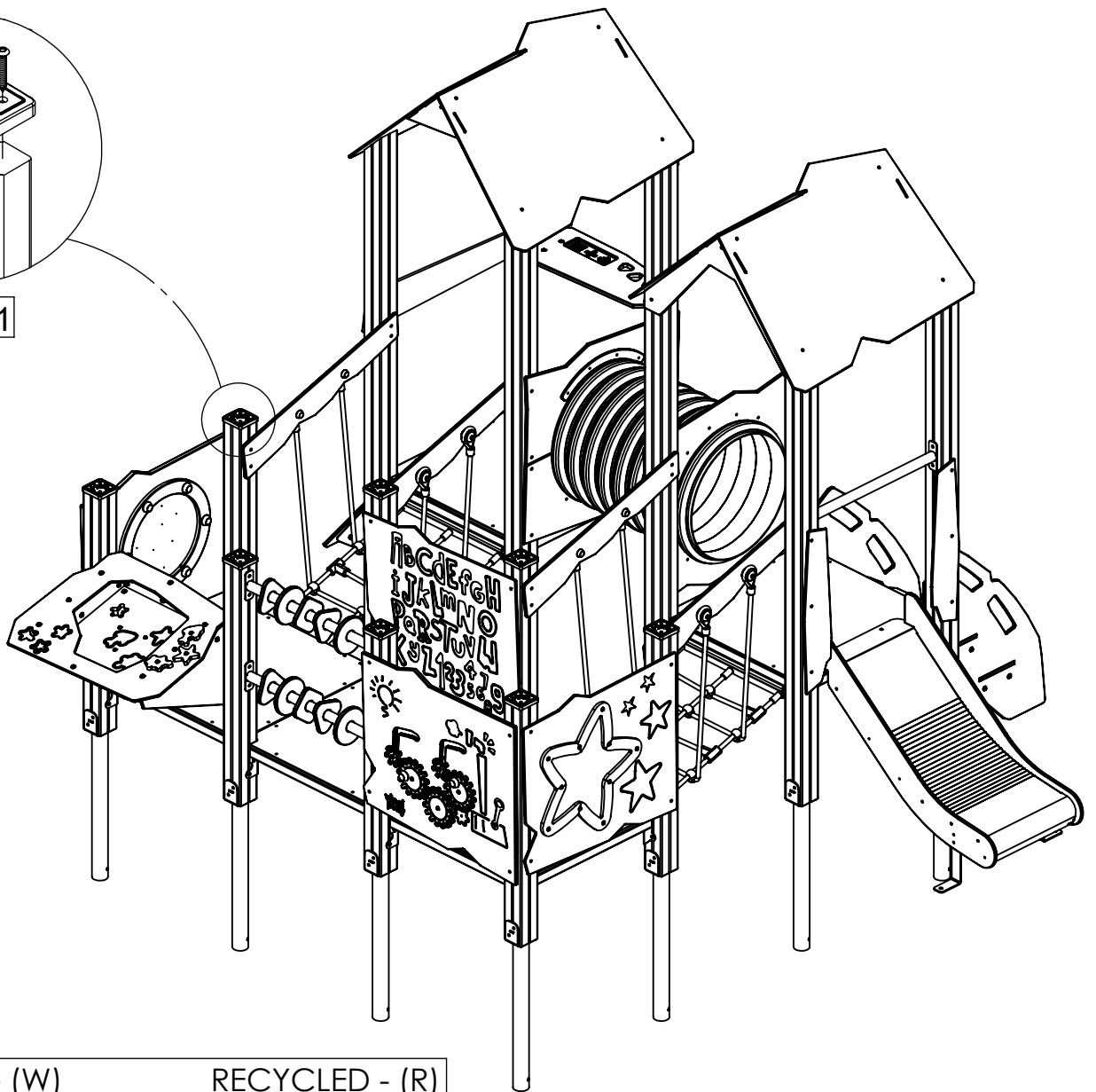


vinci
play



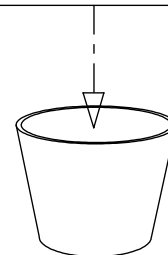


8x **WD1**



Part No:
000000-00000

000000-00000



[cm]



vinci play