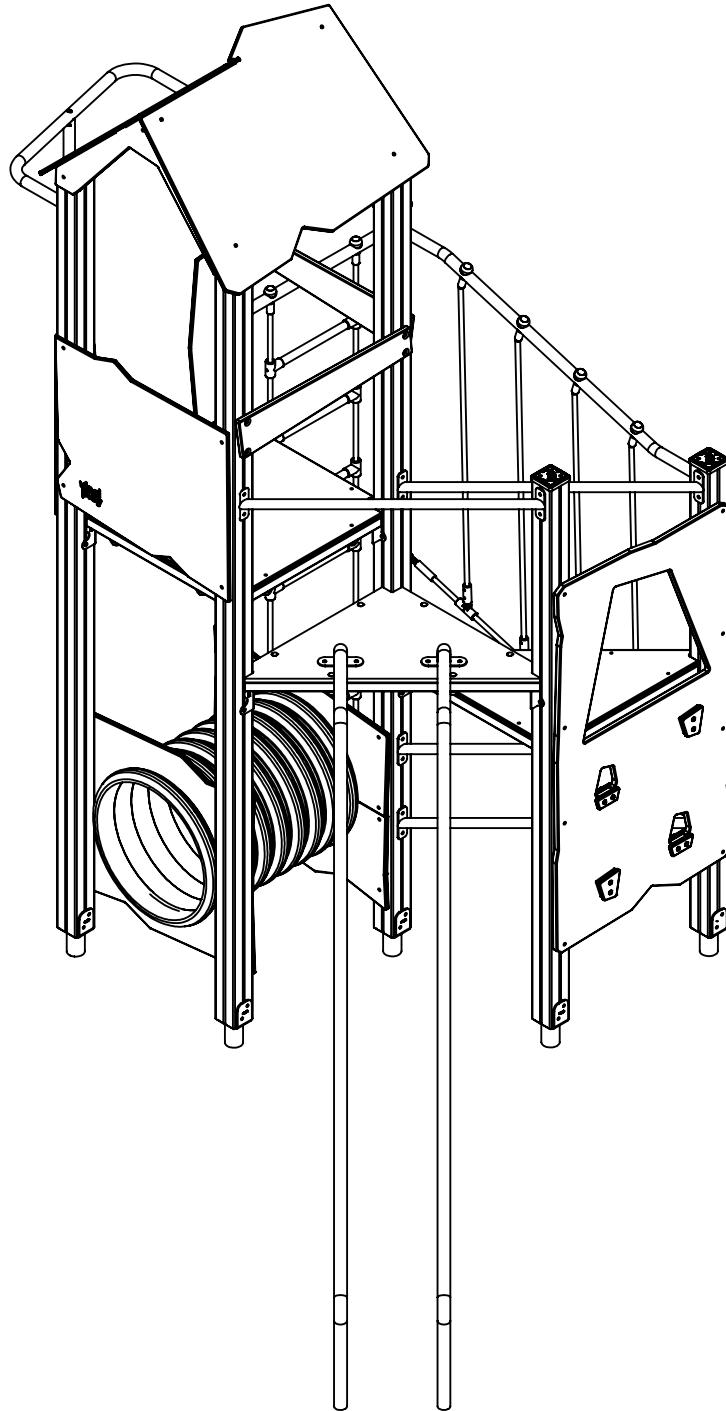
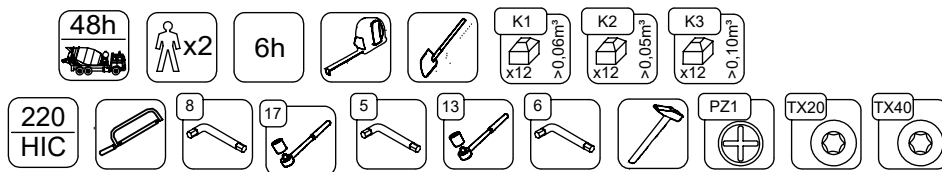


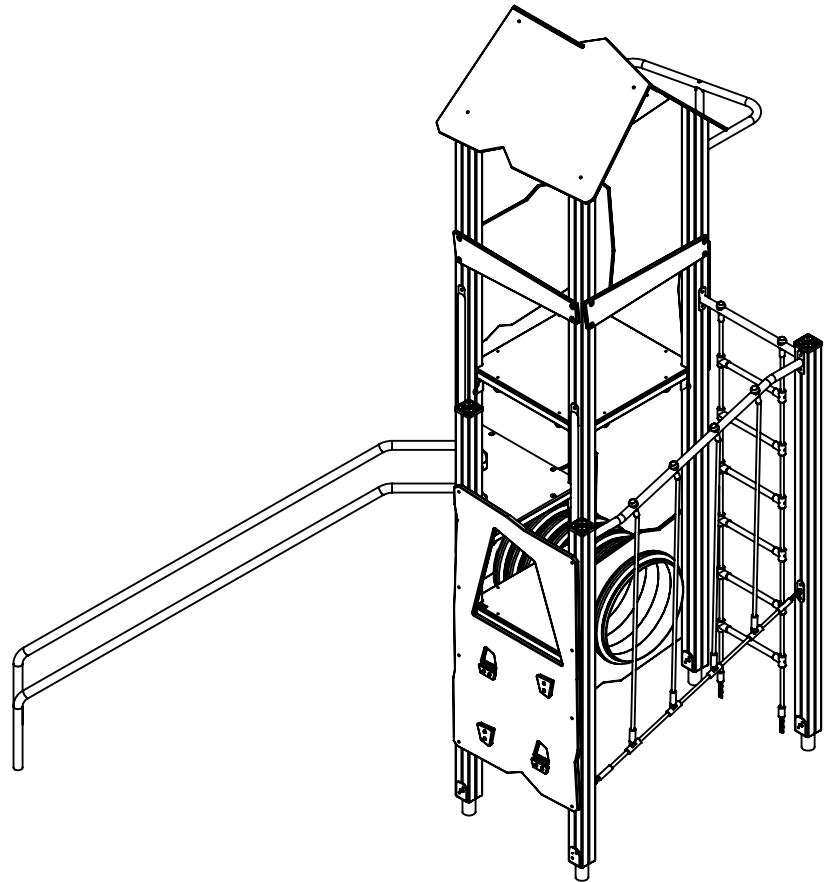
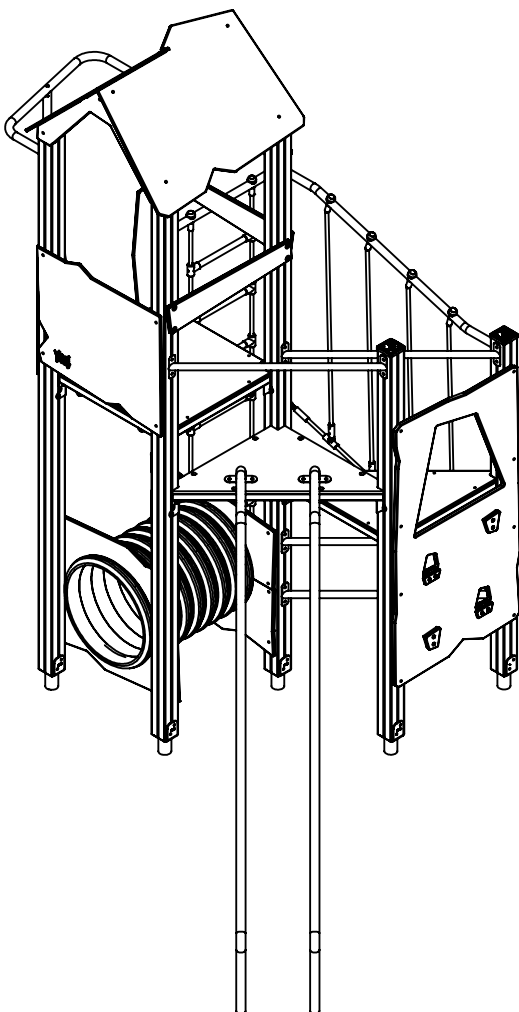
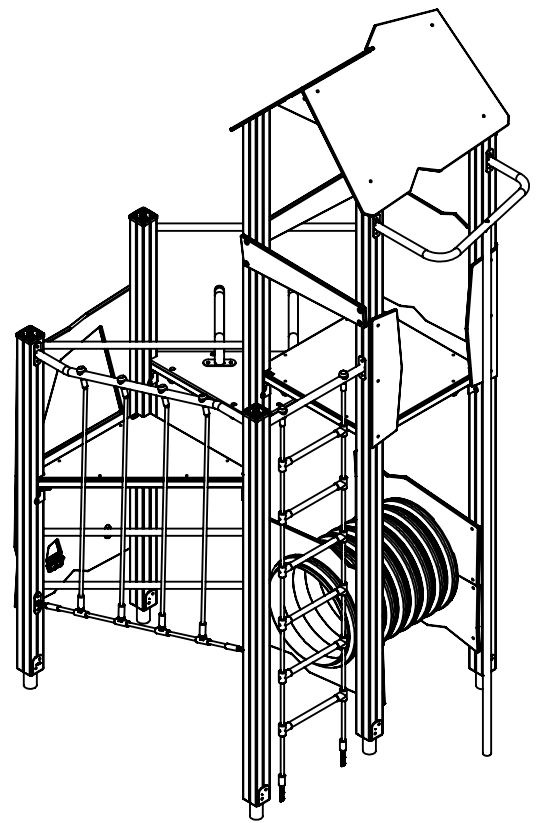
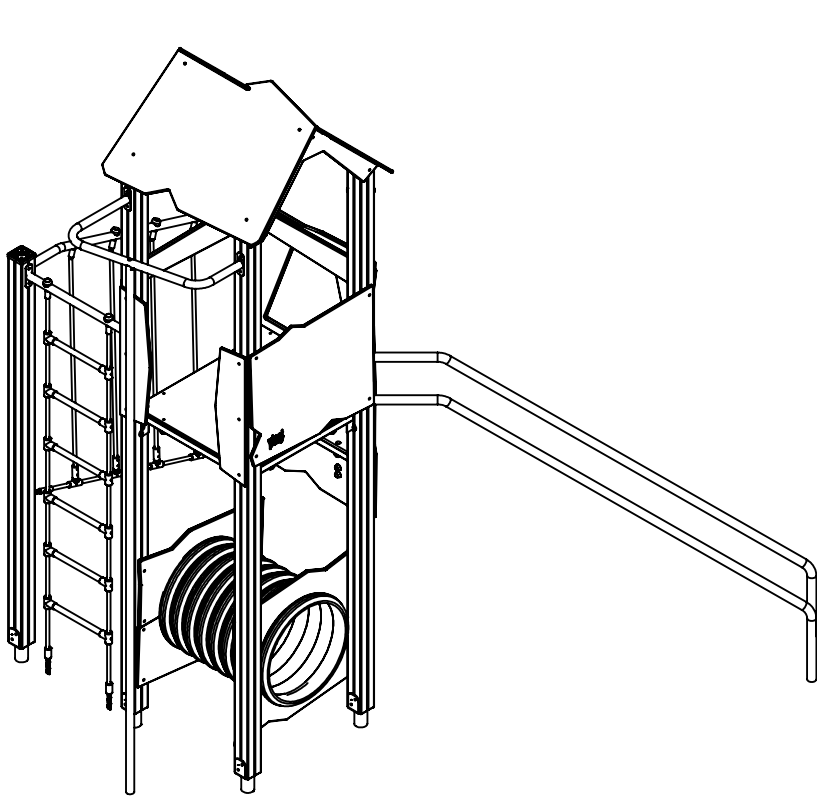
WD/RC 1449



v014
04.12.2023
M.L.
[cm]

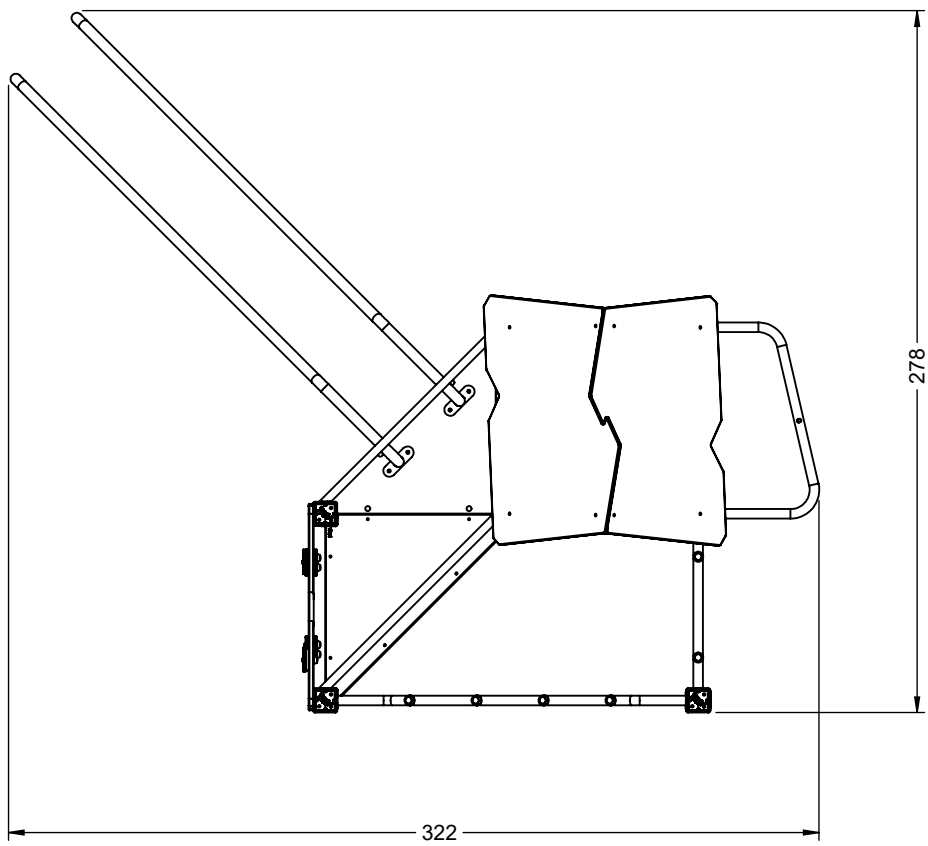
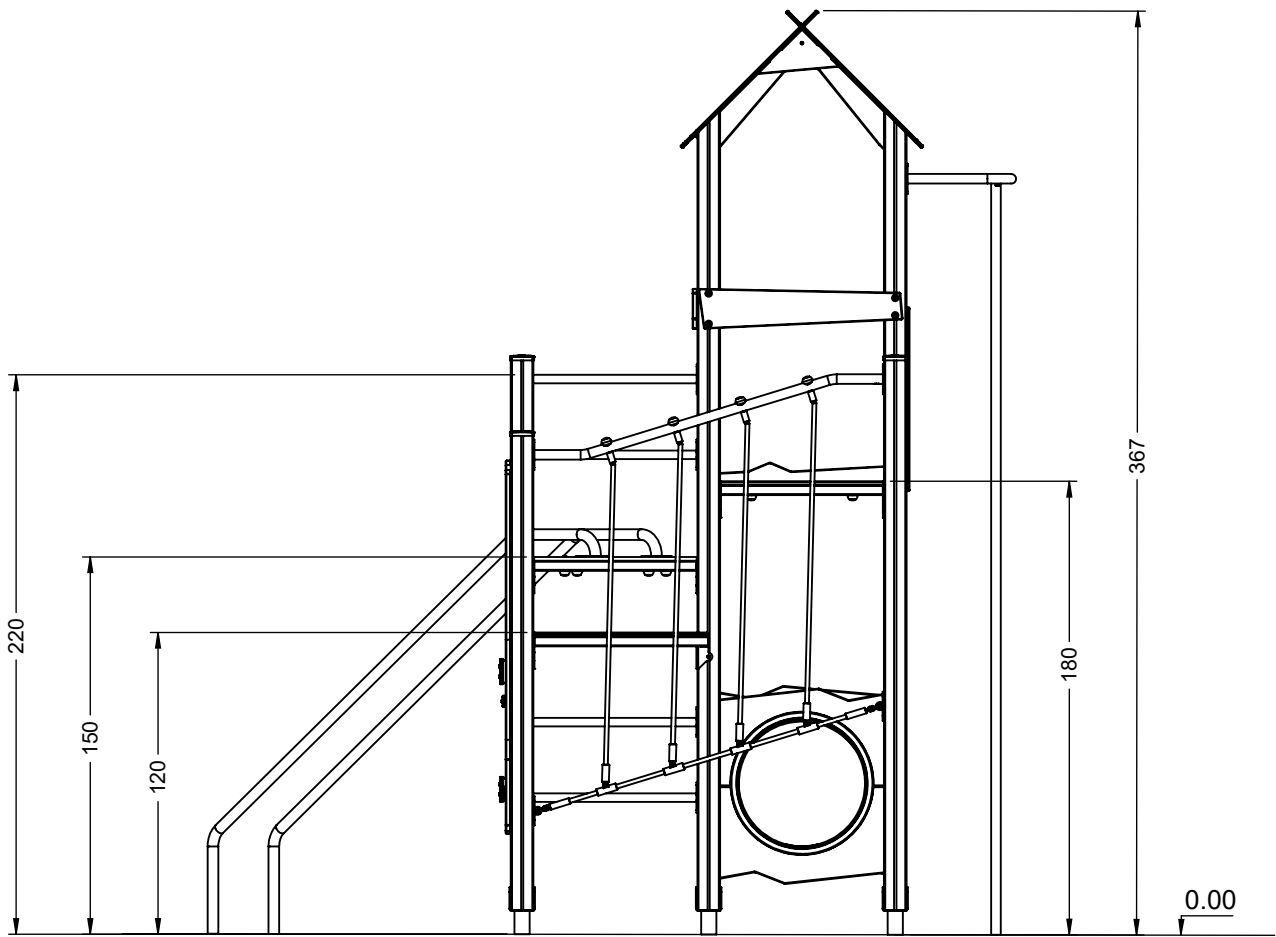


vinci
play



[cm]

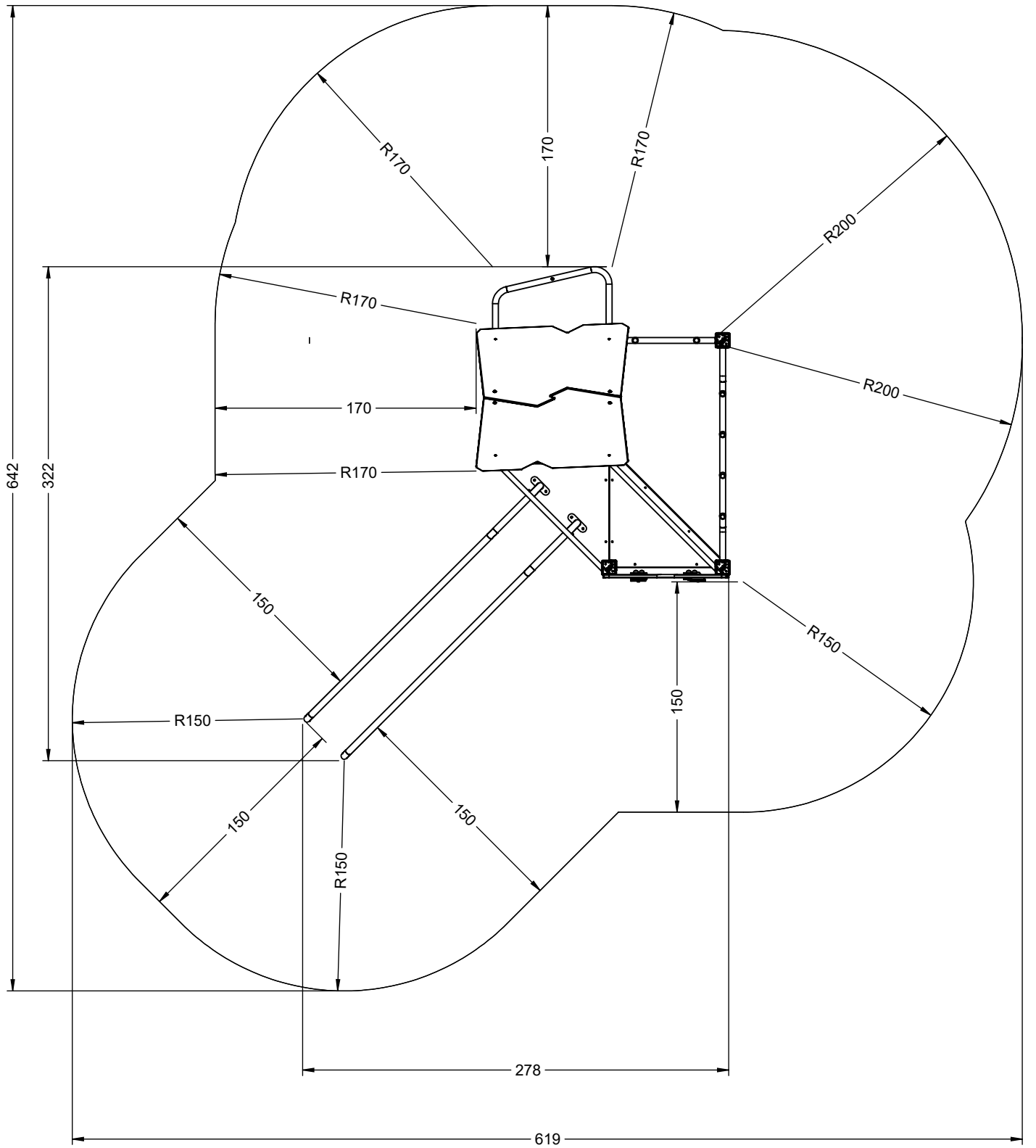
vinci
play



[cm]



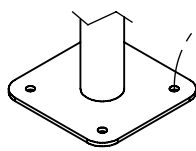
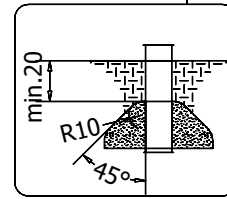
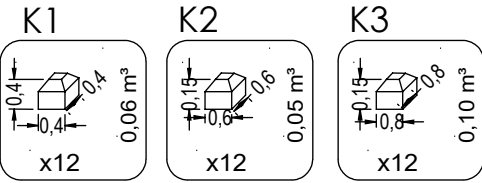
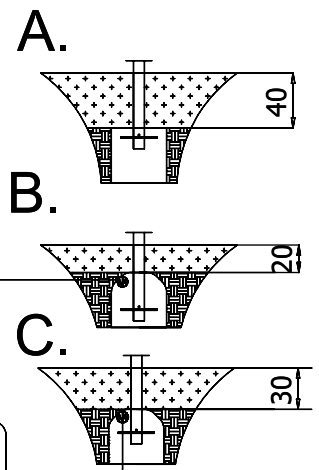
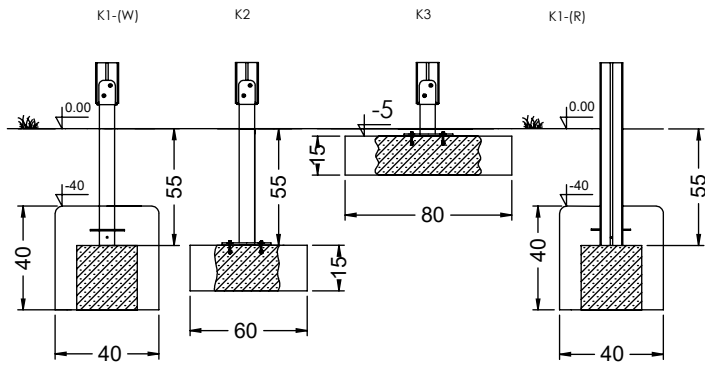
vinci
play



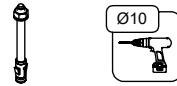
[cm]



vinci
play

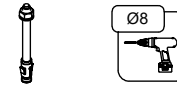


36x M10x120 (K2)
40x M10x120 (K3)

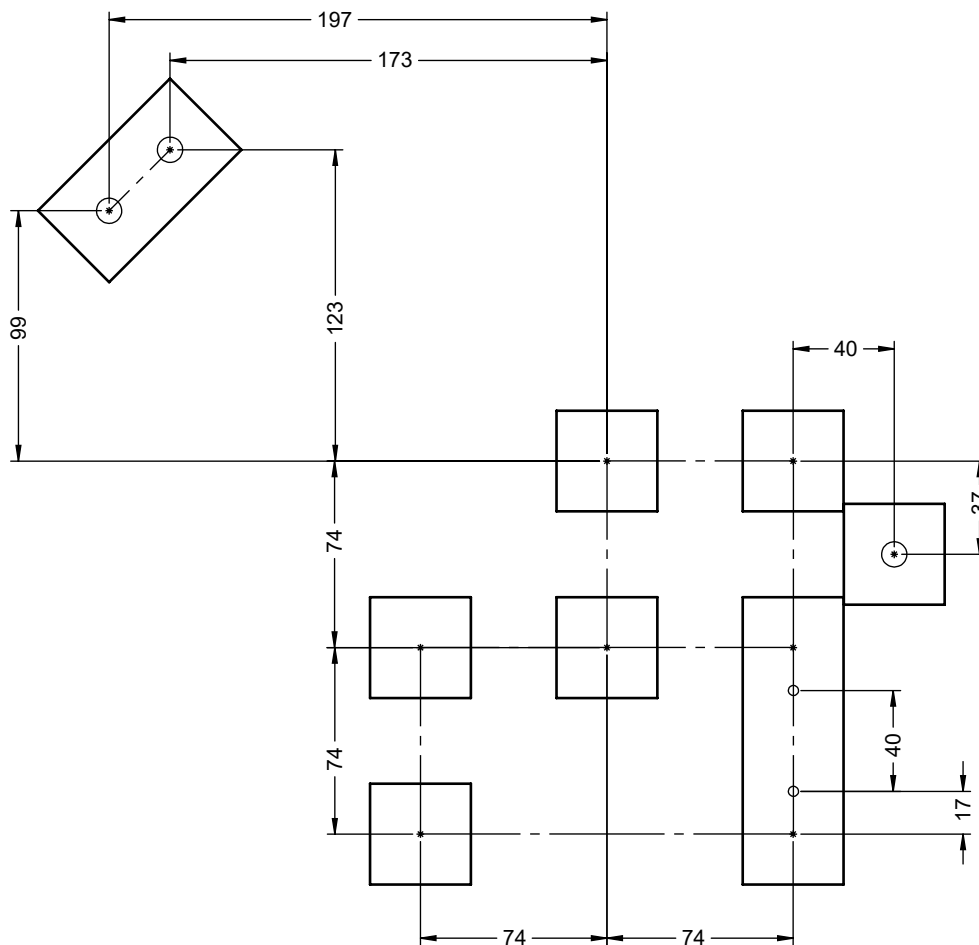


NOT INCLUDED

4x M8x120 (K2)
2x M8x120 (K3)



NOT INCLUDED



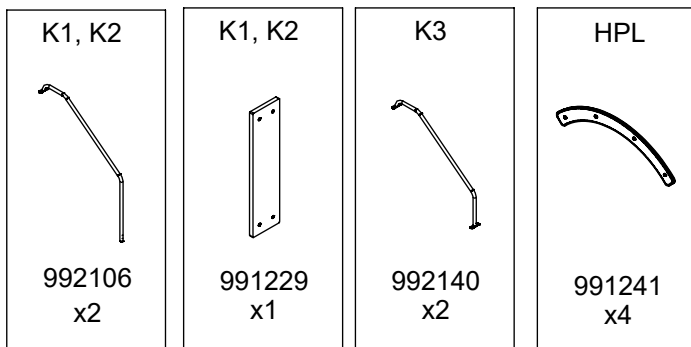
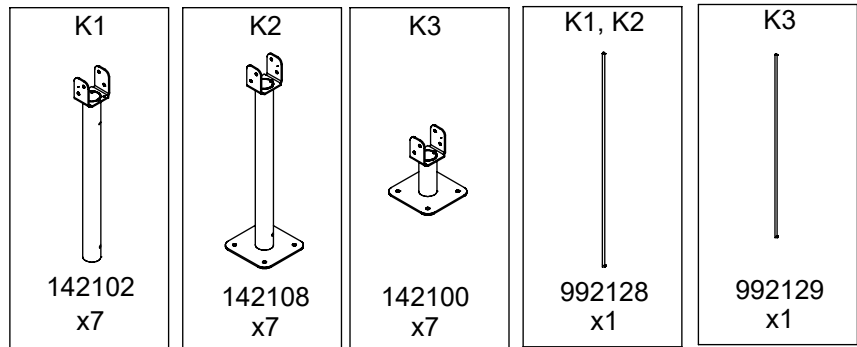
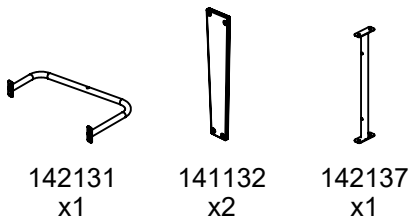
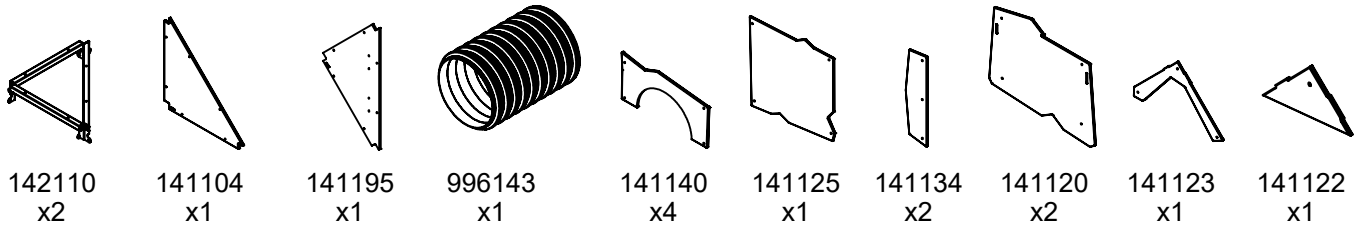
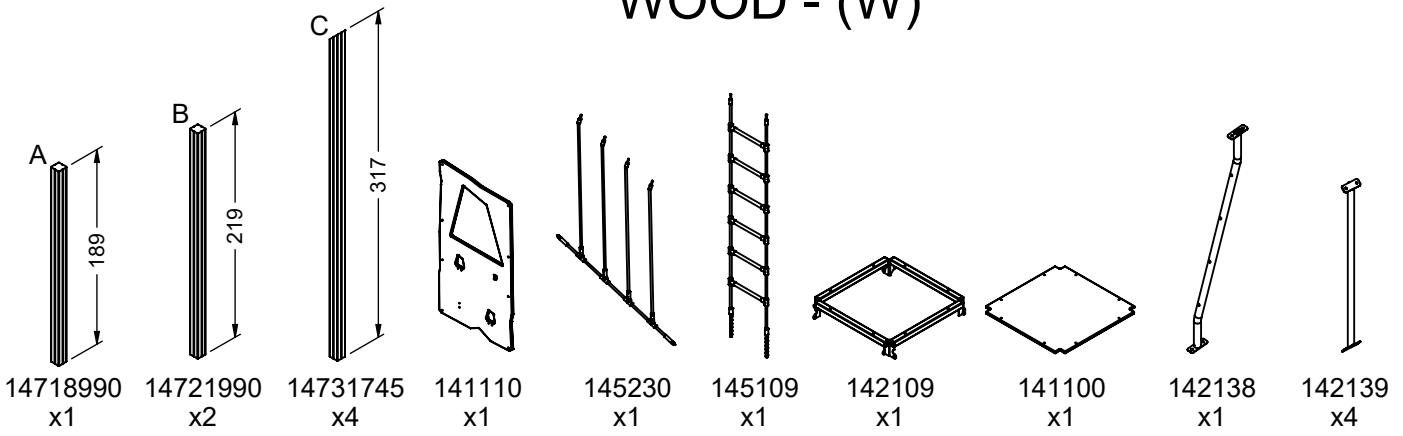
[cm]

x2
 6h

 K1 x12 >0.06m³
 K2 x12 >0.05m³
 K3 x12 >0.10m³

vinci
play

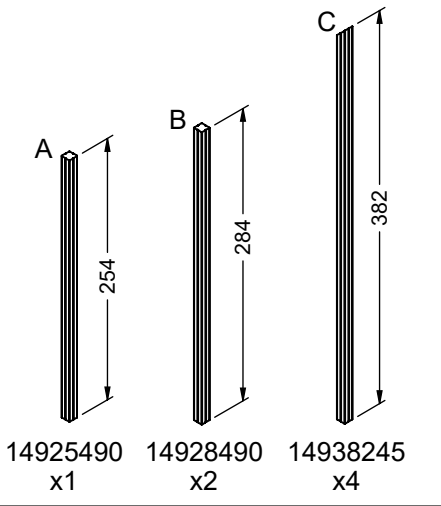
WOOD - (W)



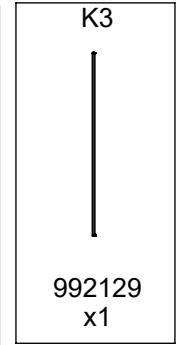
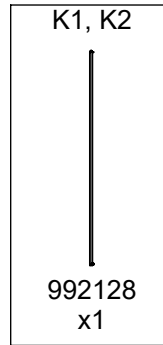
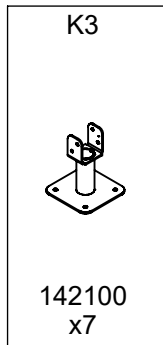
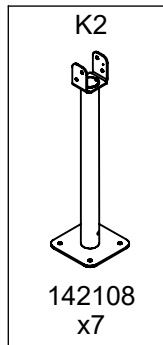
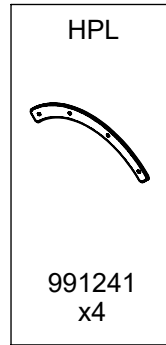
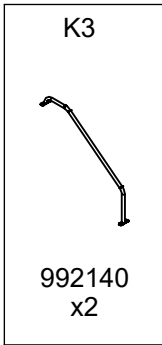
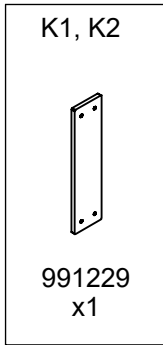
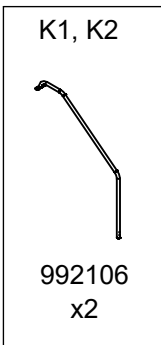
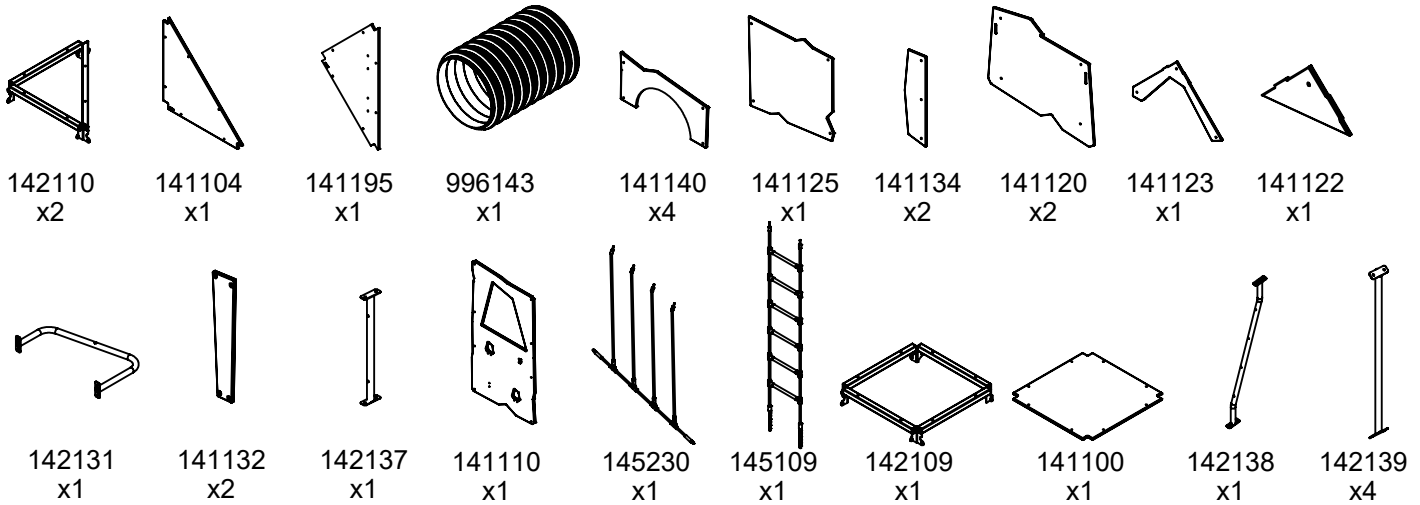
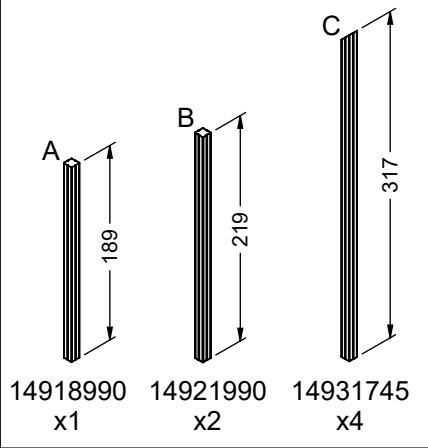
		PLYWOOD / HDPE		HPL	
128x	8x50 sxi	2x	WD74	2x	WD75
1x	WD14-4	1x	WD76	1x	WD77
1x	WD14-2	2x	WD33	2x	WD34
3x	WD1	2x	WD15	2x	WD16
2x	Z15	2x	WD35	2x	WD36
1x	E38 (K2, K3)	1x	E6	1x	E7
1x	E39			2x	E130
1x	V001				
2x	WD52				
1x	GL (K2, K3)				
1x	E44 (K1)				
1x	E80 (K2)				
1x	WD50				

RECYCLED - (R)

K1

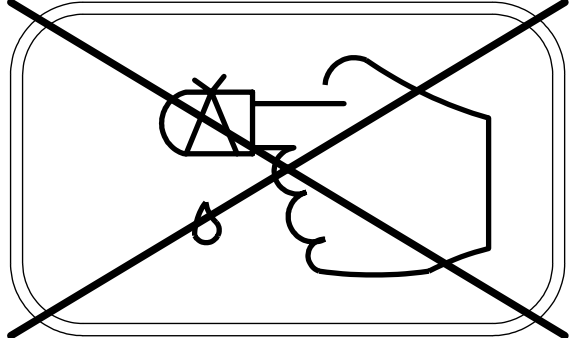
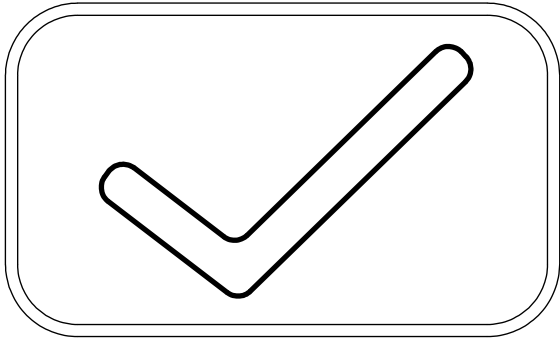
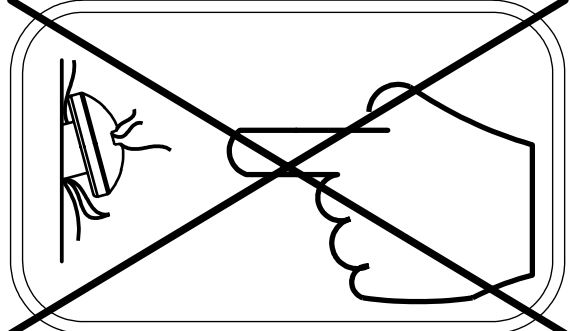
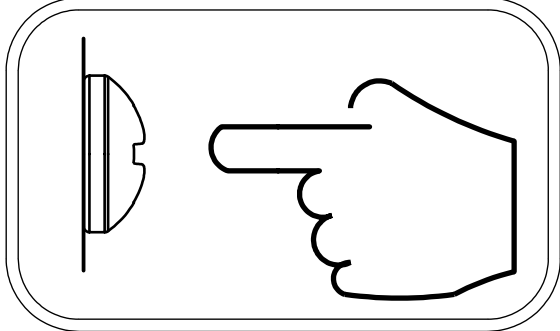
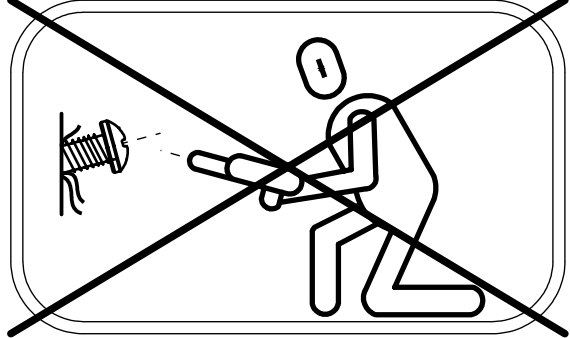
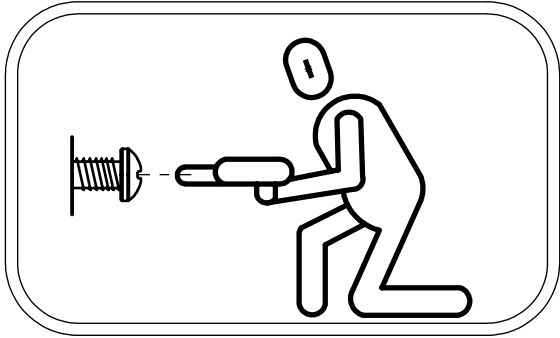


K2,K3



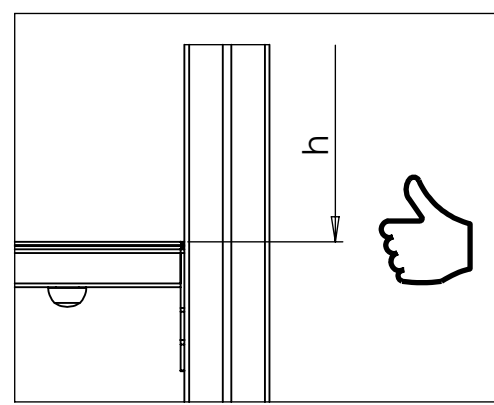
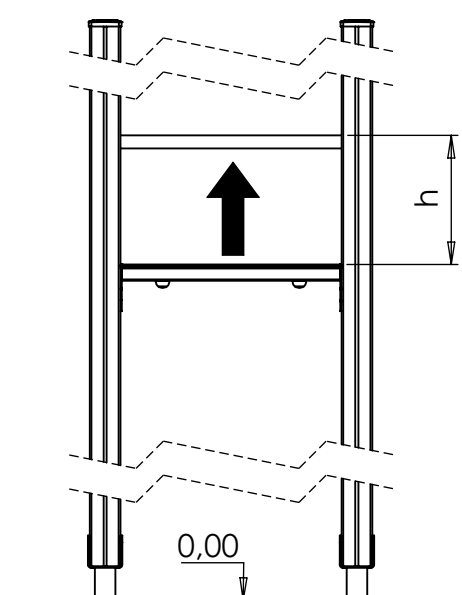
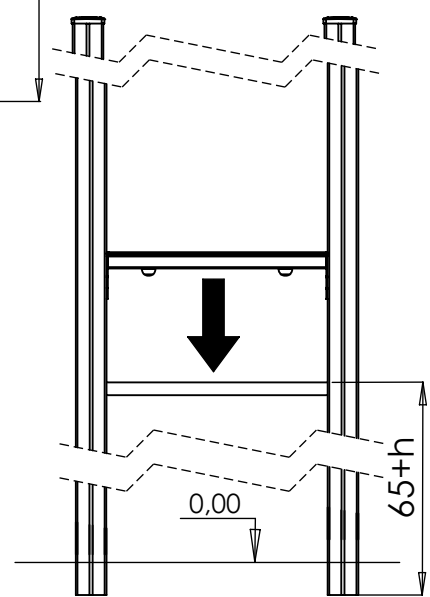
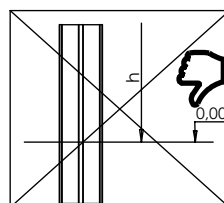
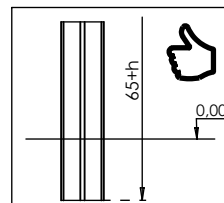
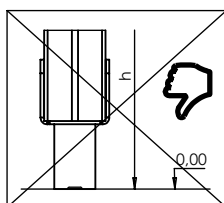
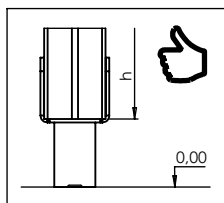
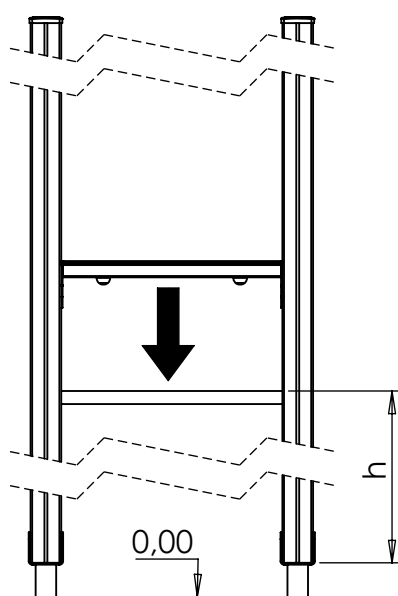
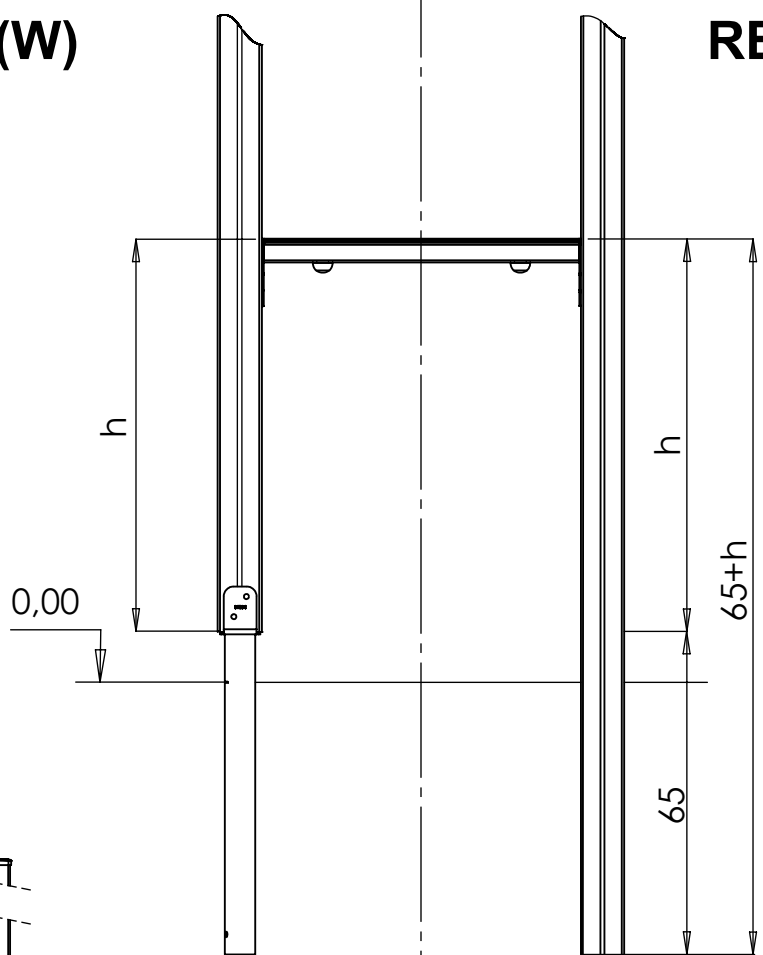
		PLYWOOD / HDPE		HPL	
28x	8x50 sxi (K2,K3)	2x	WD74	2x	WD75
100x	8x50 sxi	1x	WD76	1x	WD77
1x	WD14-4	2x	WD33	2x	WD34
1x	WD14-2	2x	WD15	2x	WD16
3x	WD1	2x	WD35	2x	WD36
2x	Z15	1x	E6	1x	E7
1x	E38 (K2,K3)			2x	E130
1x	E39				
1x	V001				
2x	WD52				
1x	GL (K2, K3)				
1x	E44 (K1)				
1x	E80 (K2)				
1x	WD50				

[cm]



WOOD - (W)

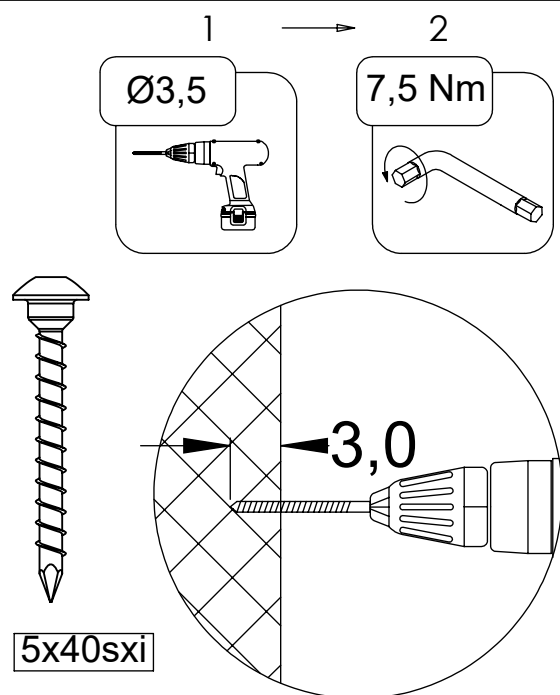
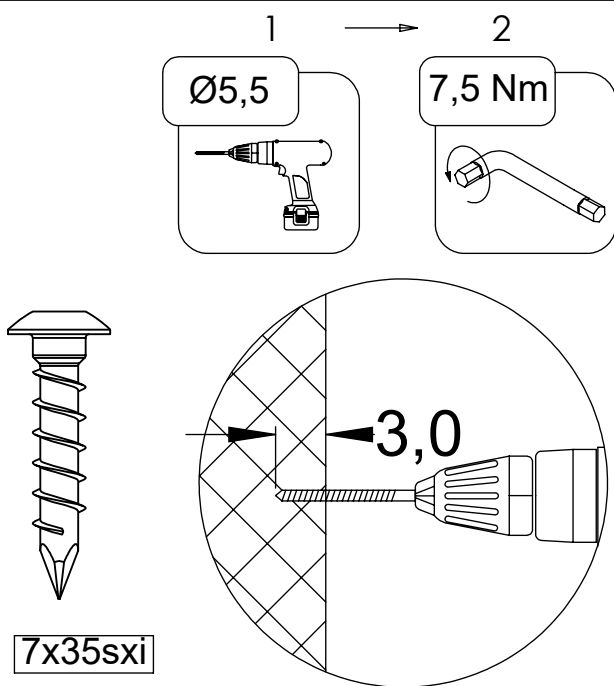
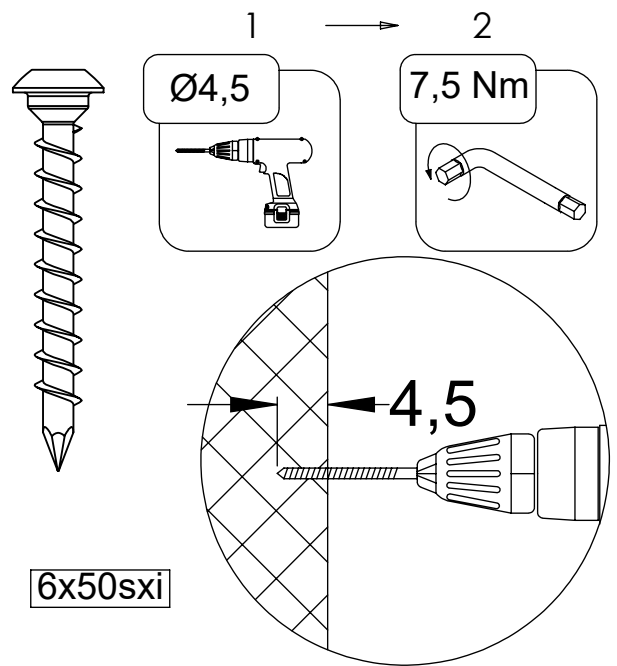
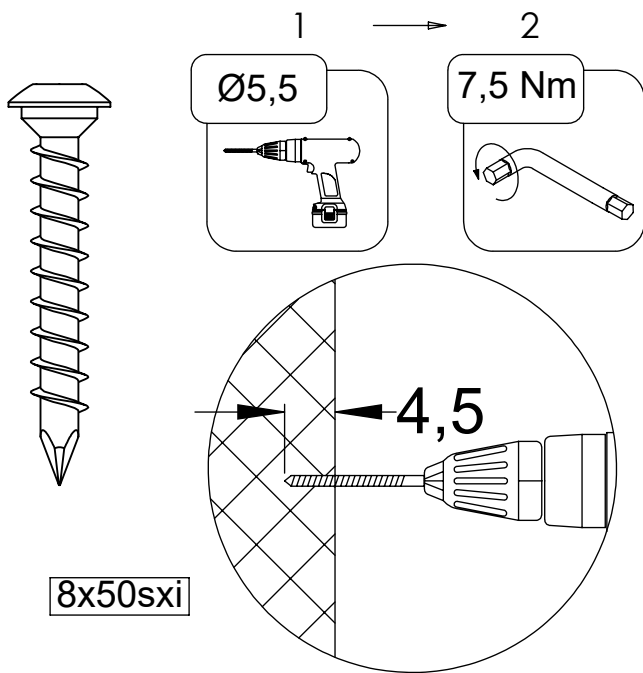
RECYCLED - (R)



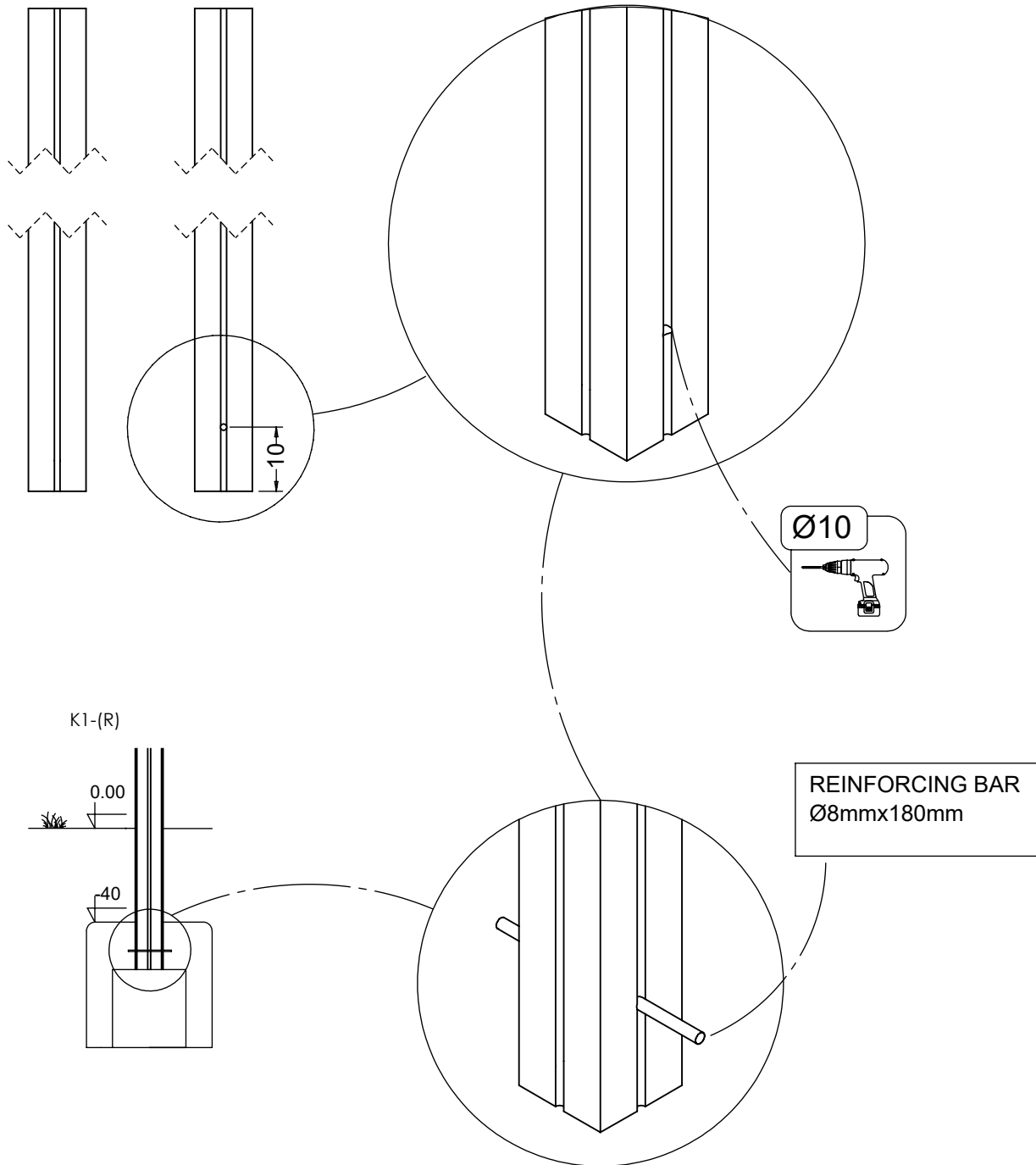
[cm]

vinci play

RECYCLED!



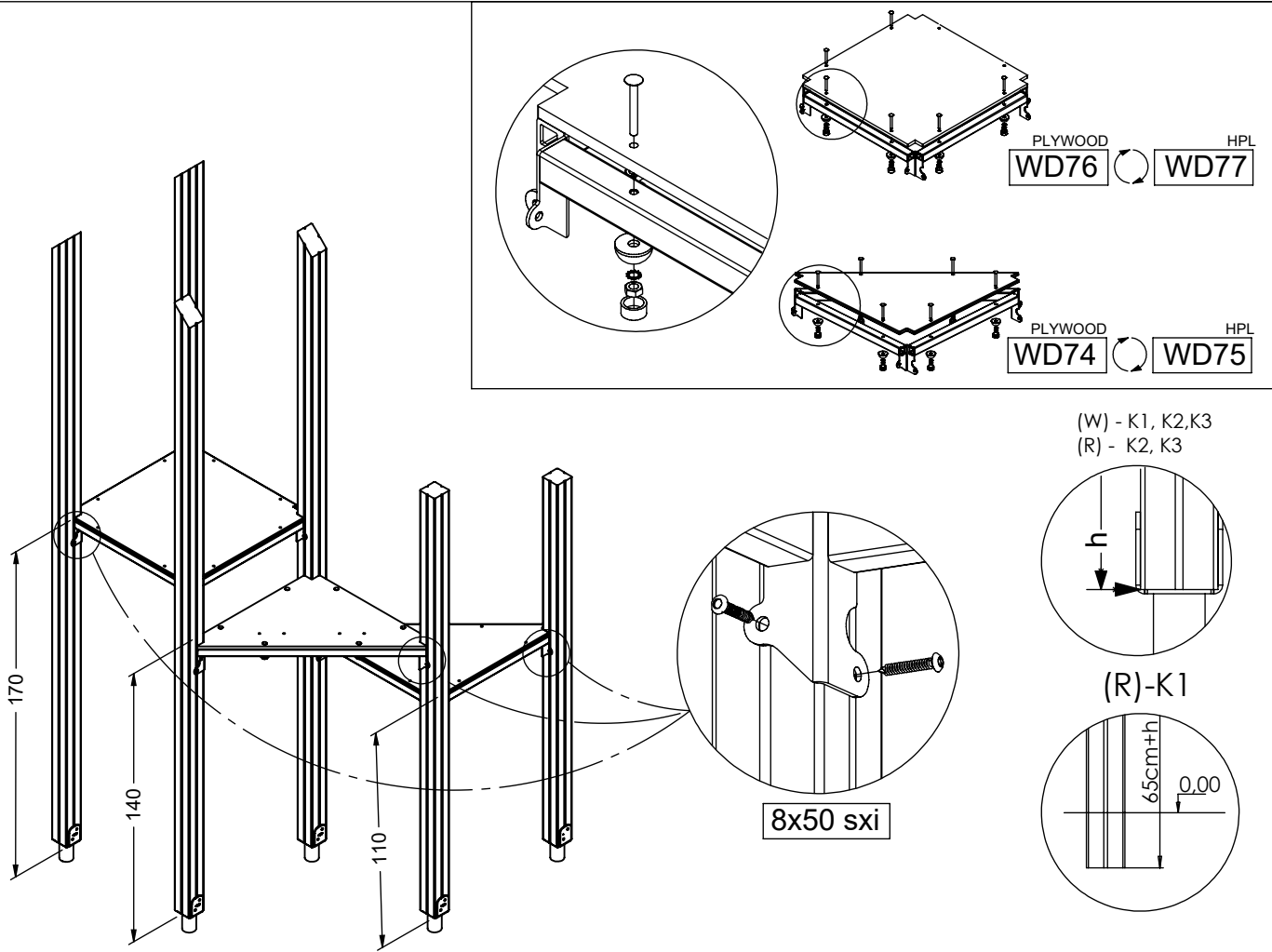
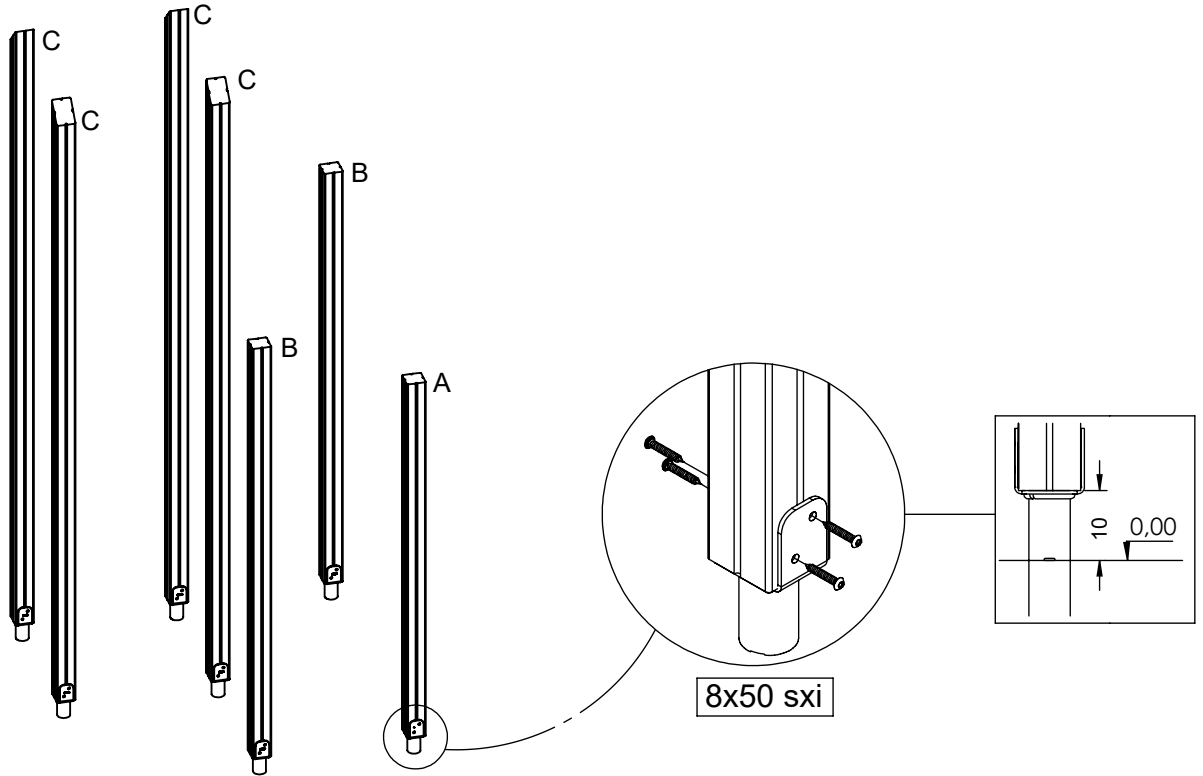
RECYCLED!



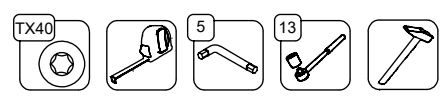
[cm]

vinci
play

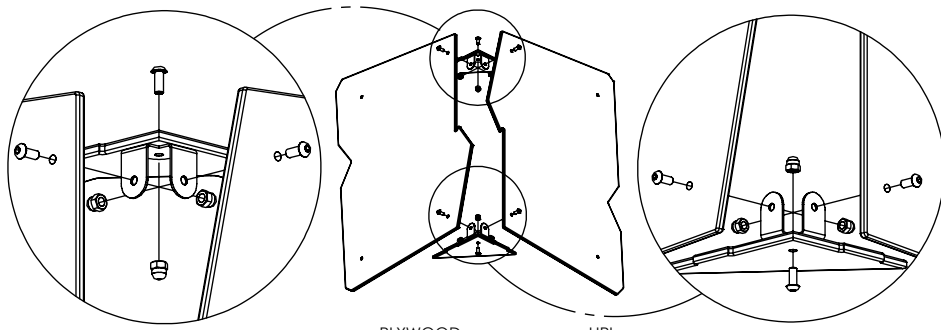
K1,K2,K3 - (W)
K2,K3 - (R)



[cm]

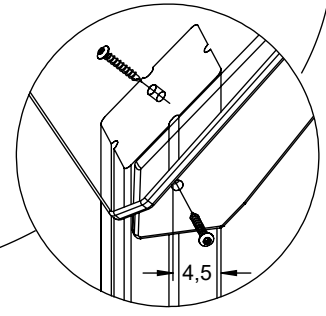
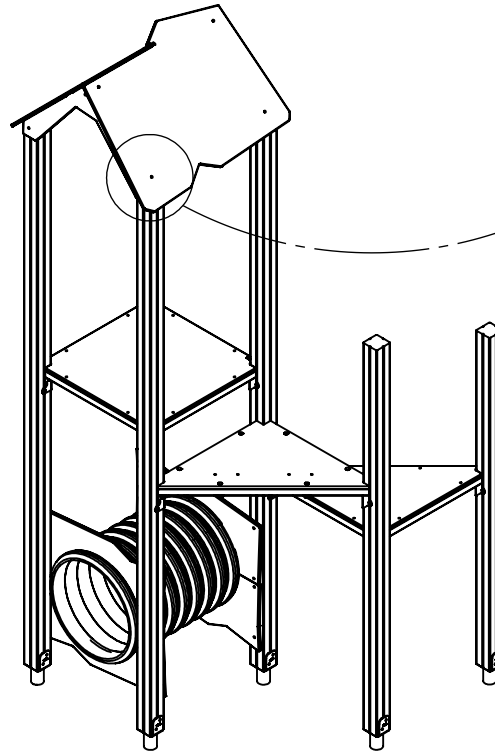
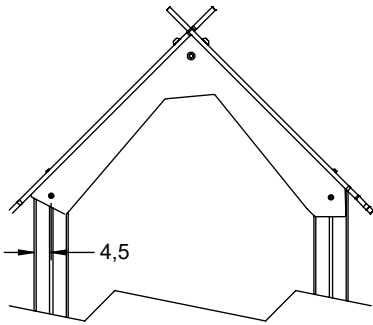
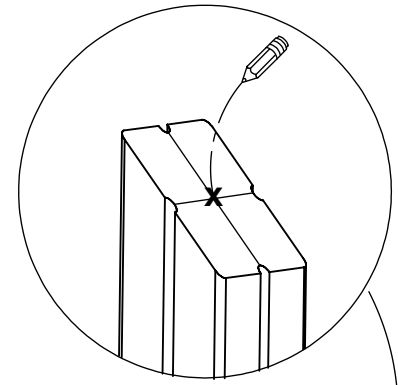


vinci
play

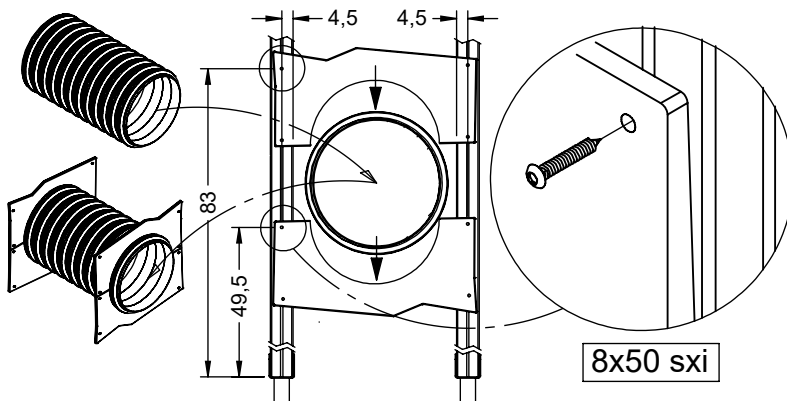


PLYWOOD
WD33

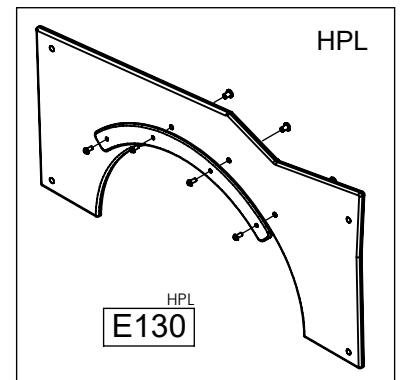
HPL
WD34



8x50 sxi



8x50 sxi



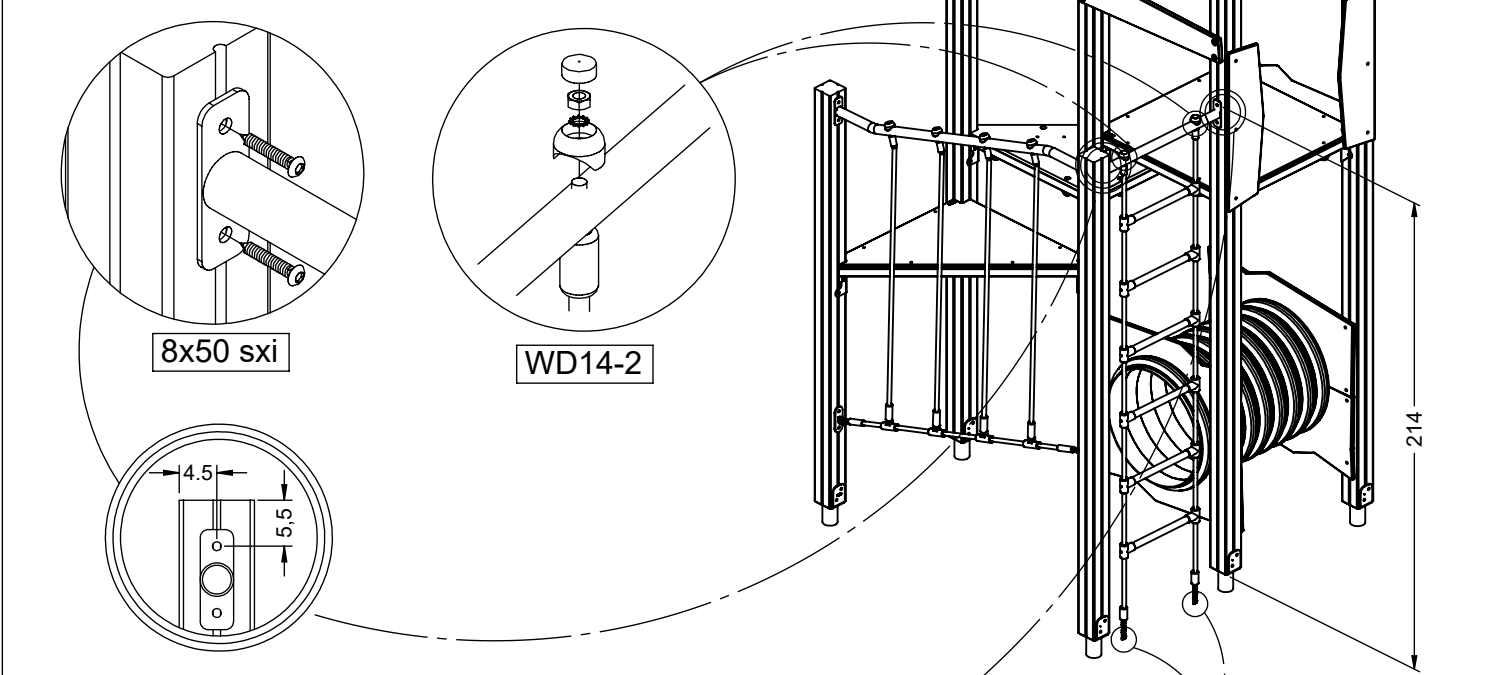
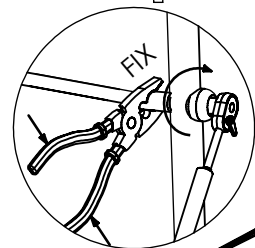
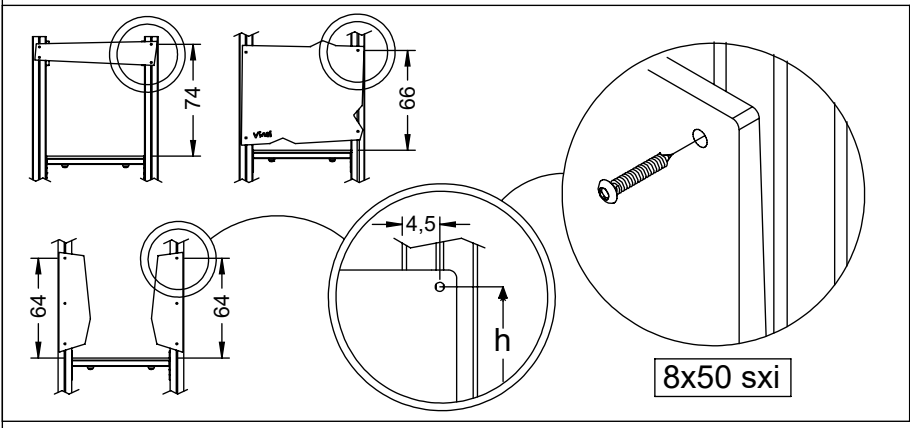
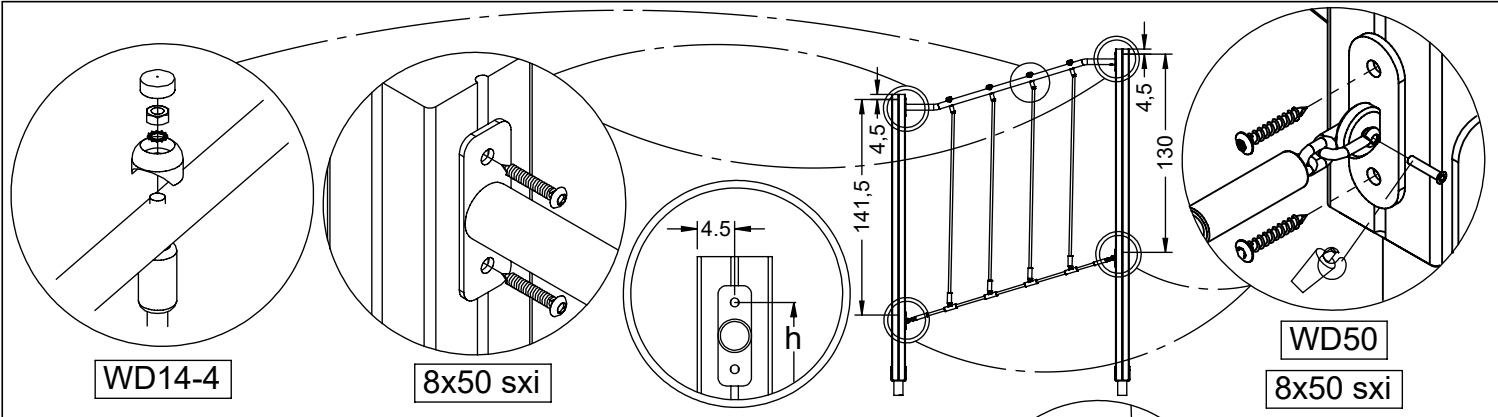
HPL

HPL
E130

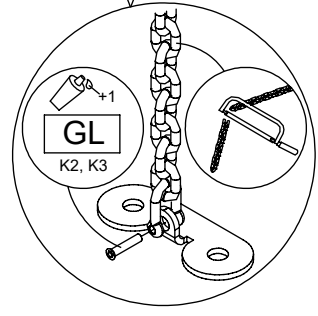
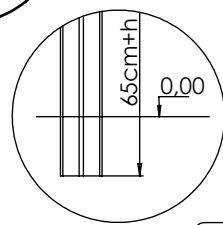
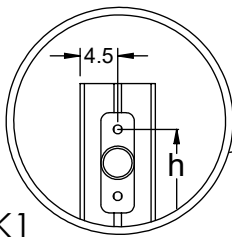
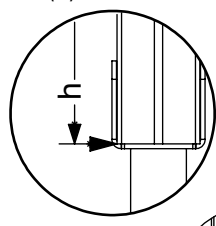
[cm]



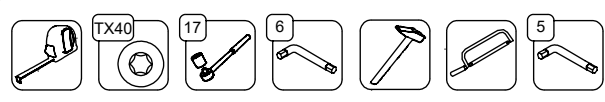
vinci
play



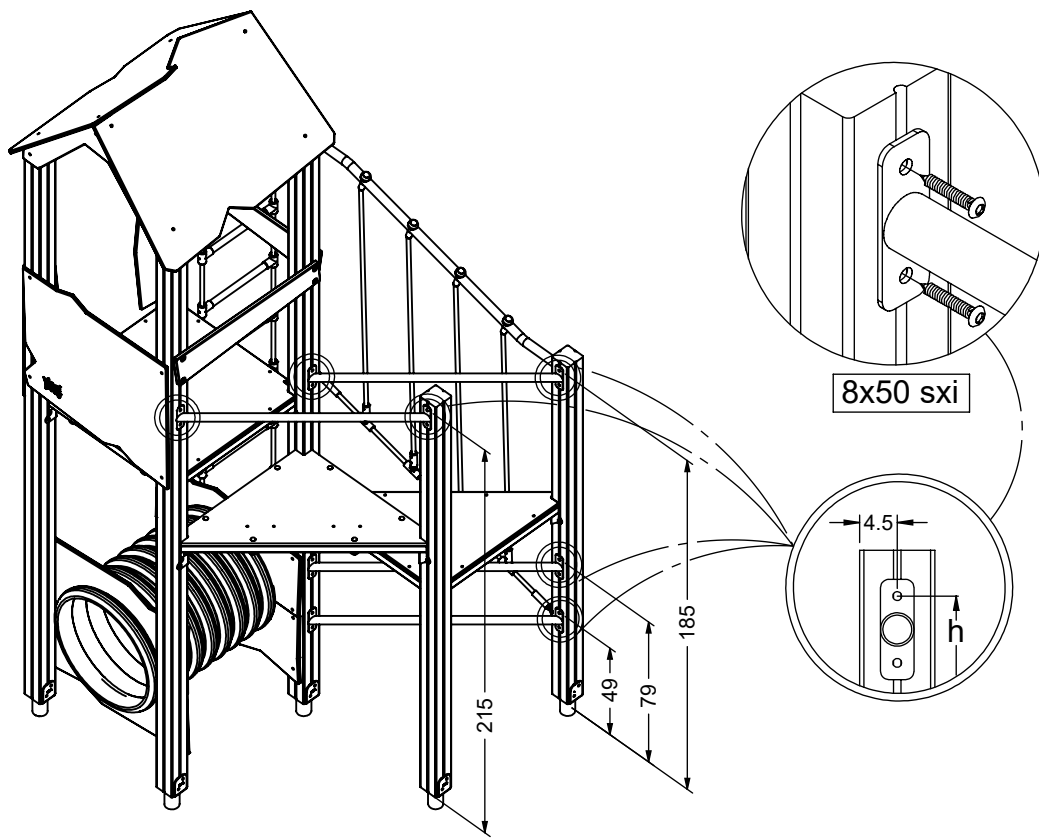
(W) - K1, K2, K3
 (R) - K2, K3



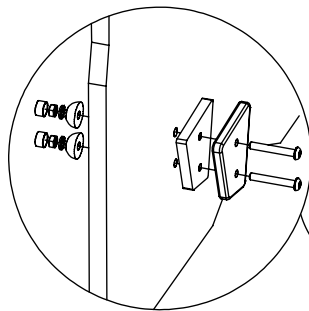
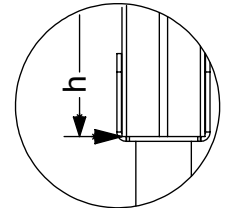
[cm]



vinci
 play

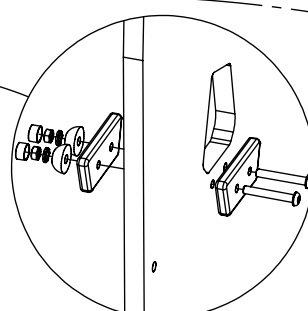
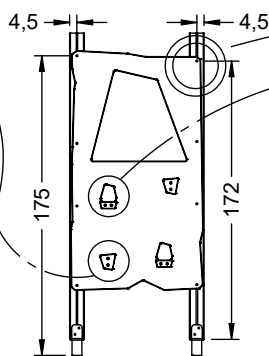


(W) - K1, K2, K3
(R) - K2, K3



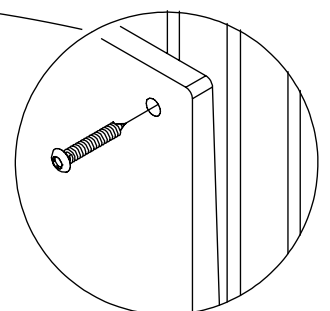
PLYWOOD
WD15

HPL
WD16

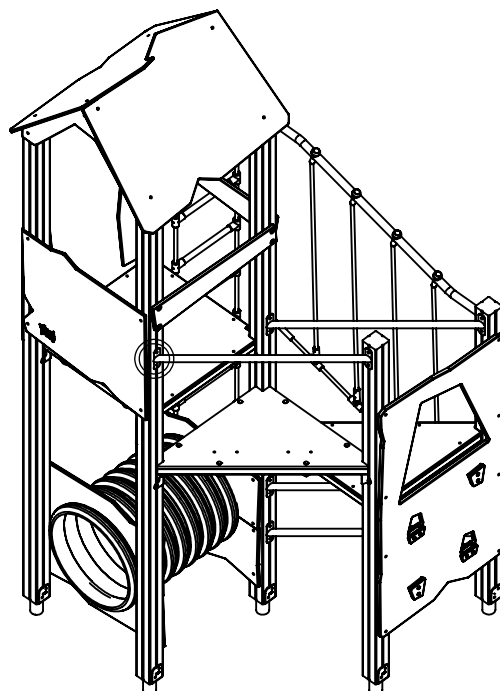


PLYWOOD
WD35

HPL
WD36



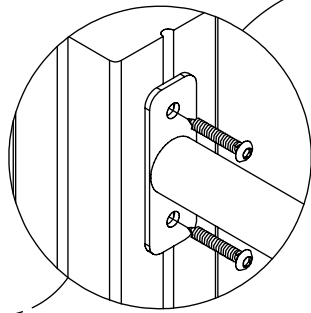
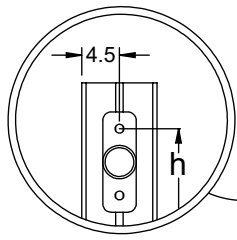
8x50 sxi



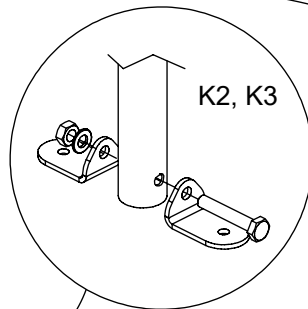
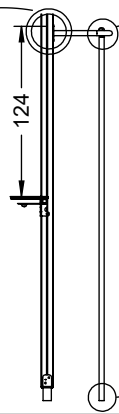
[cm]



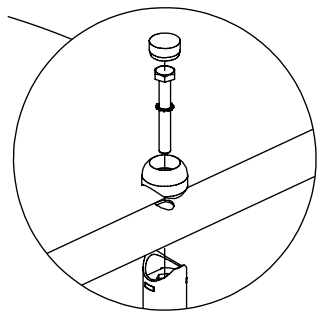
vinci
play



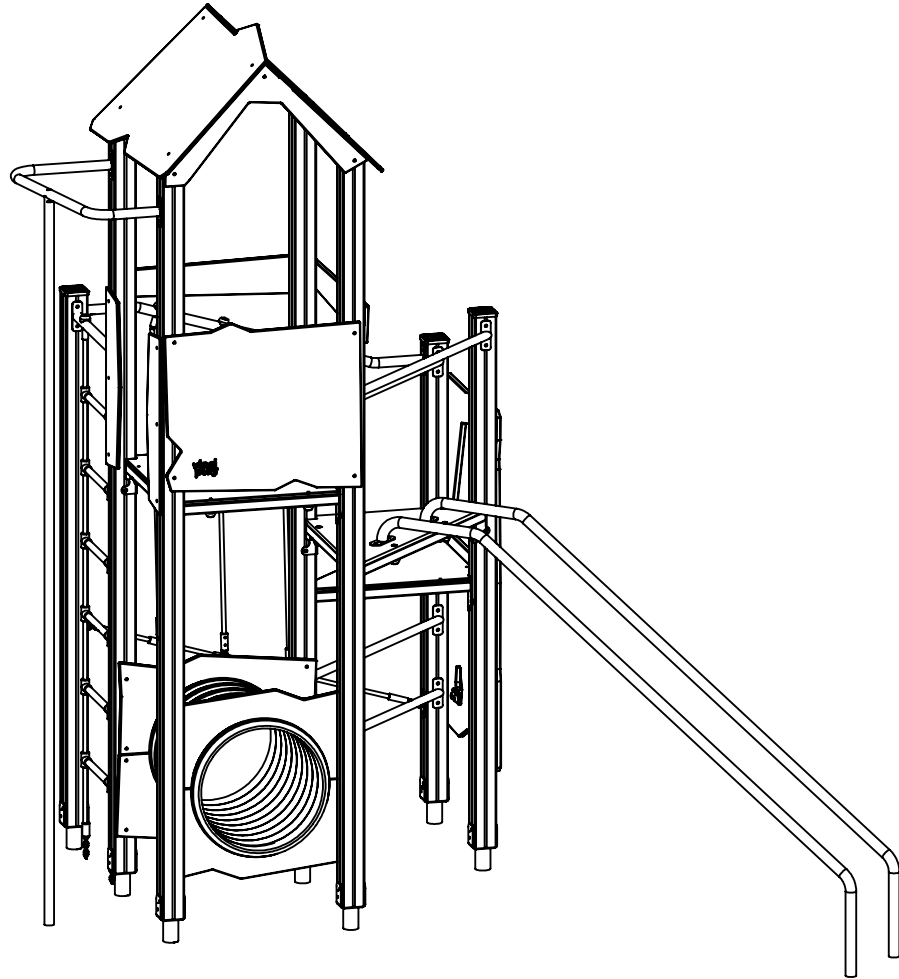
8x50 sxi



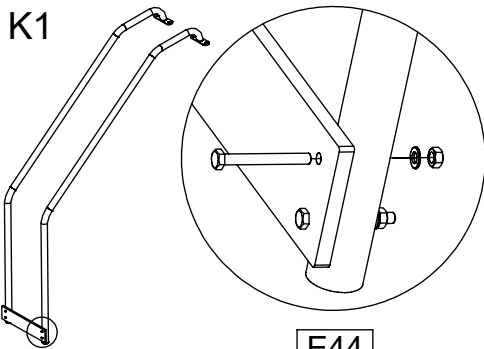
E38



E39

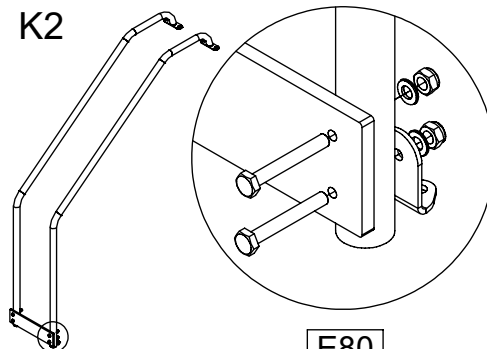


K1

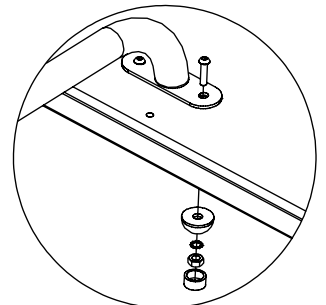


E44

K2



E80



PLYWOOD

E6



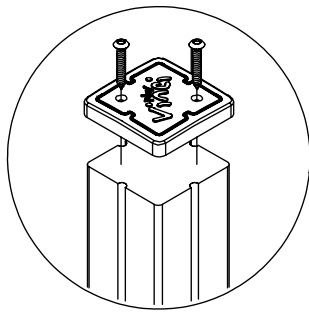
HPL

E7

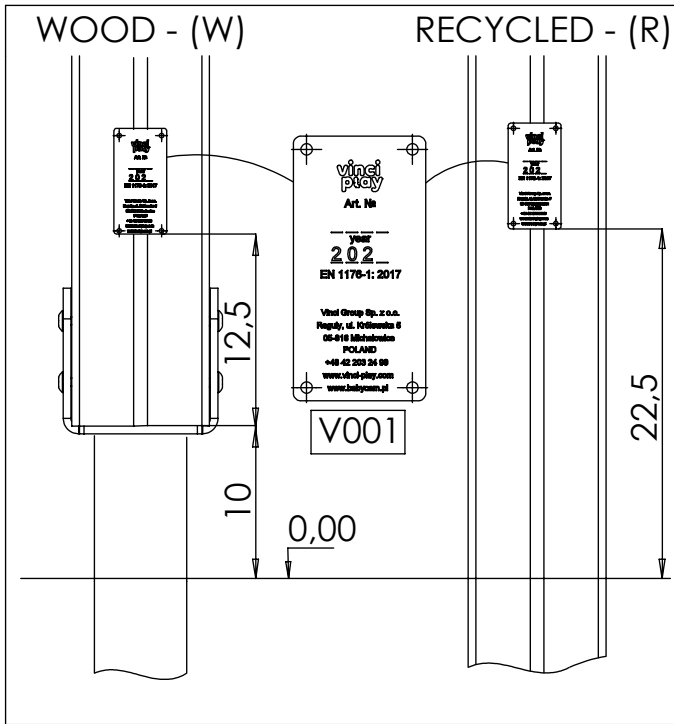
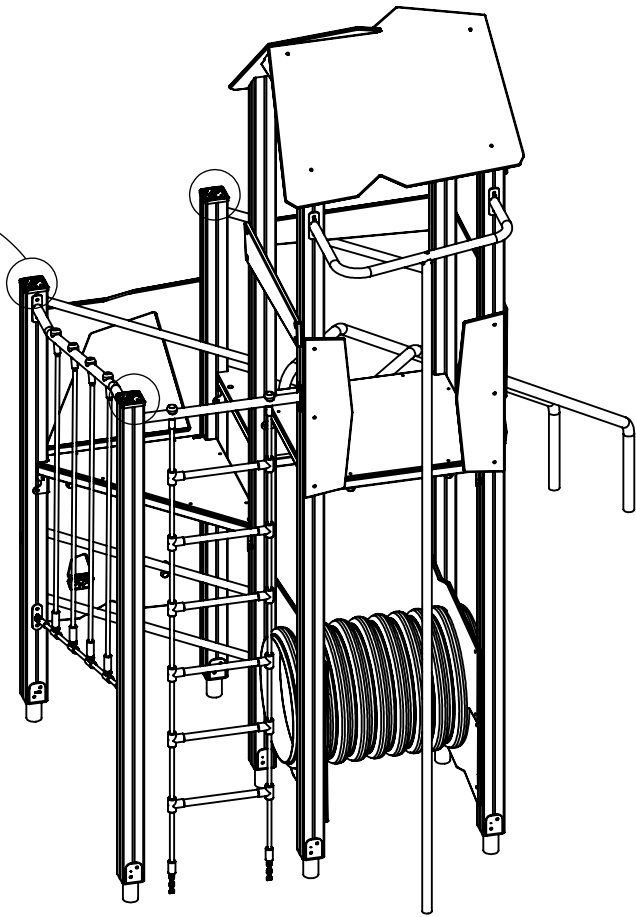
[cm]



vinci
play

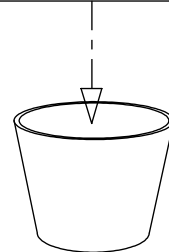


WD1



Part No:
00000-
00000

000000-00000



[cm]



vinci
play