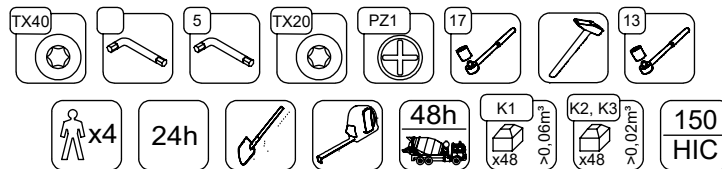
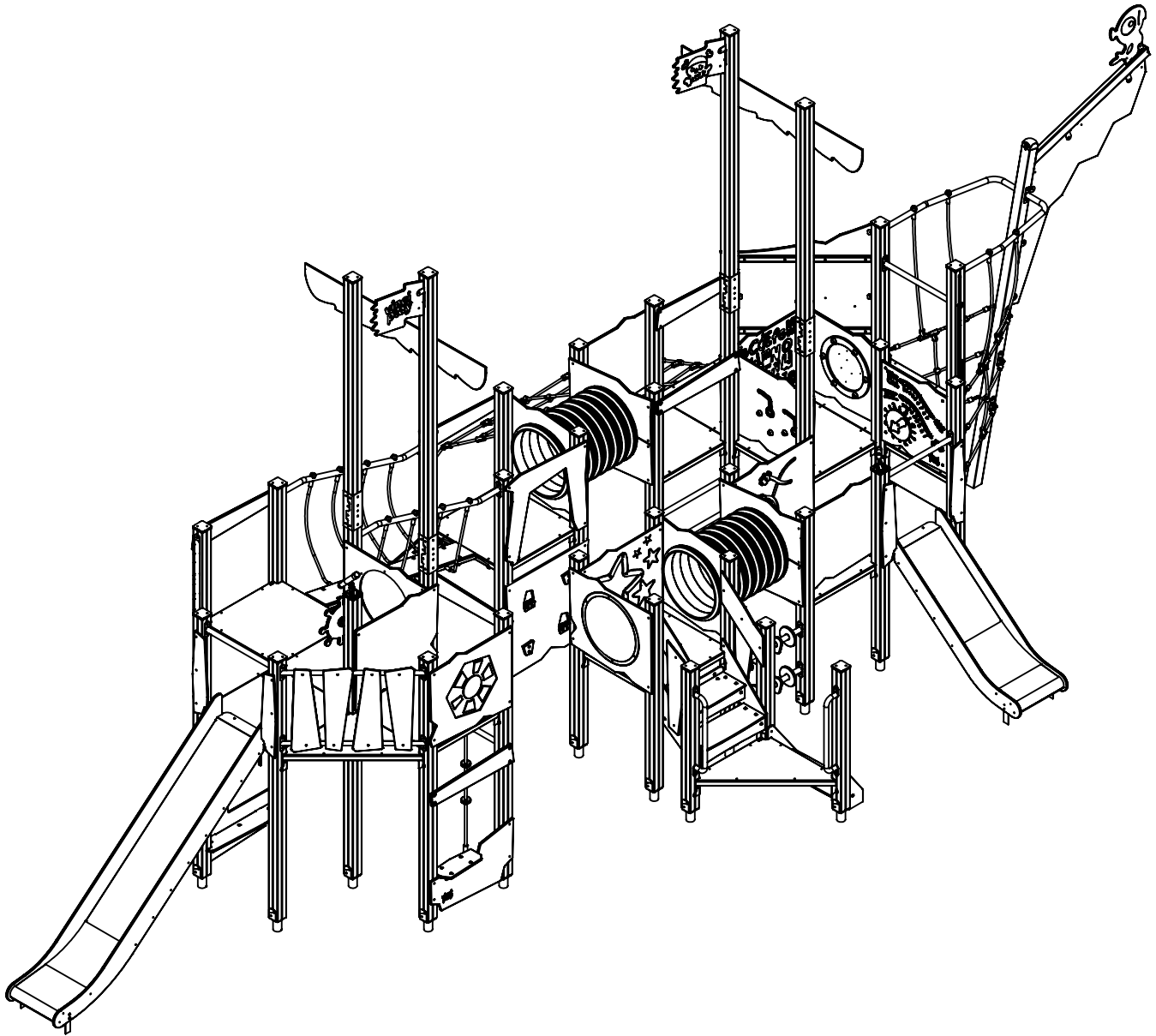
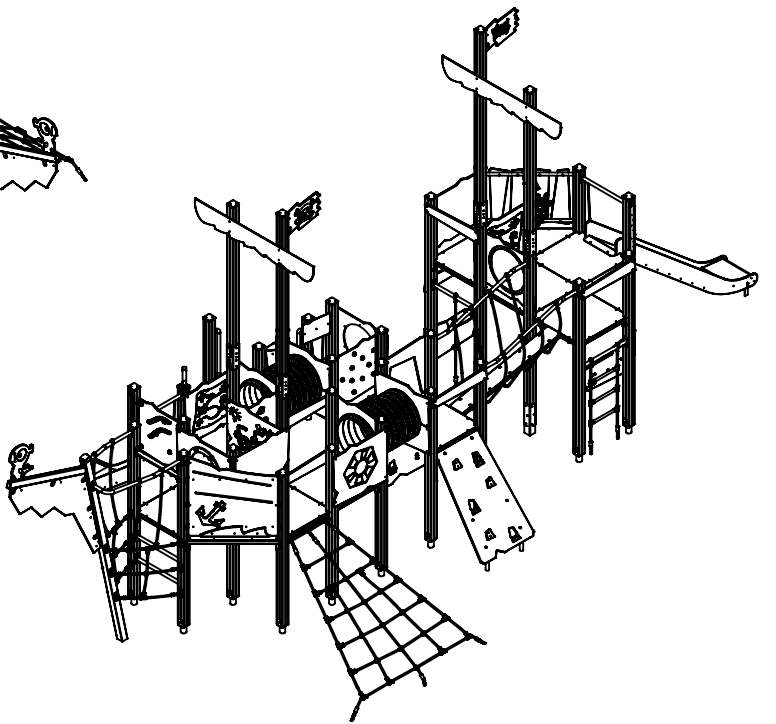
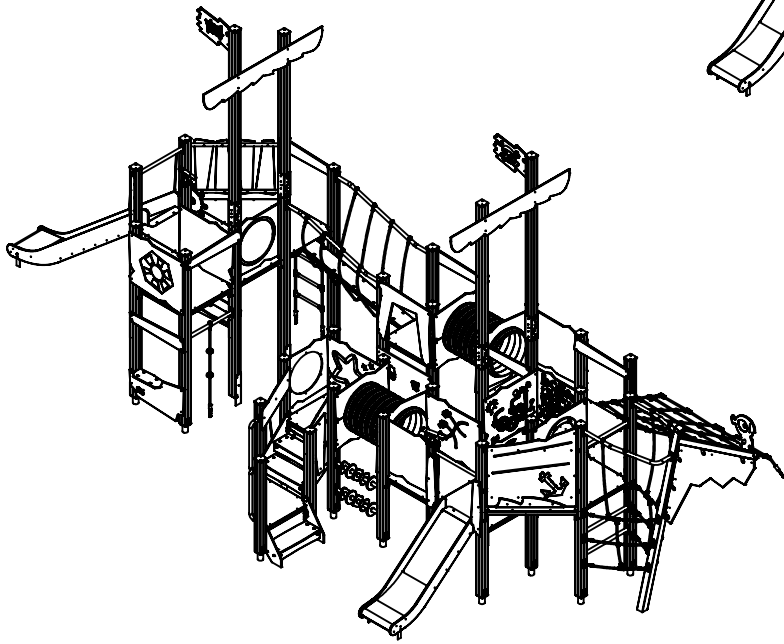
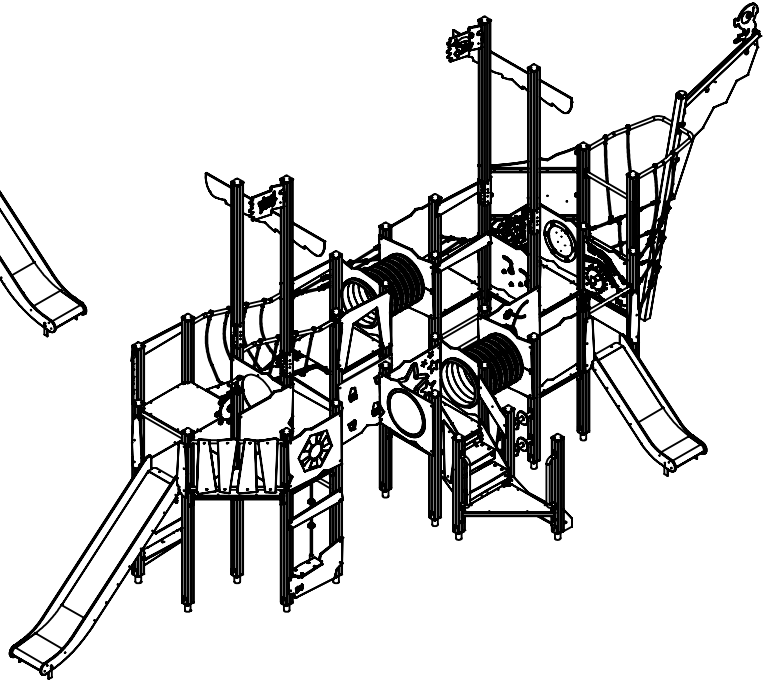
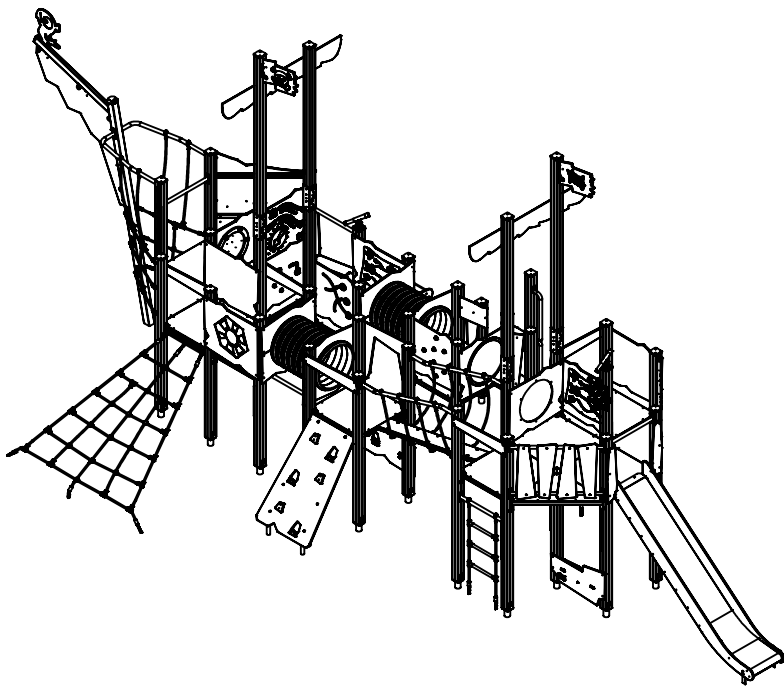


WD1581



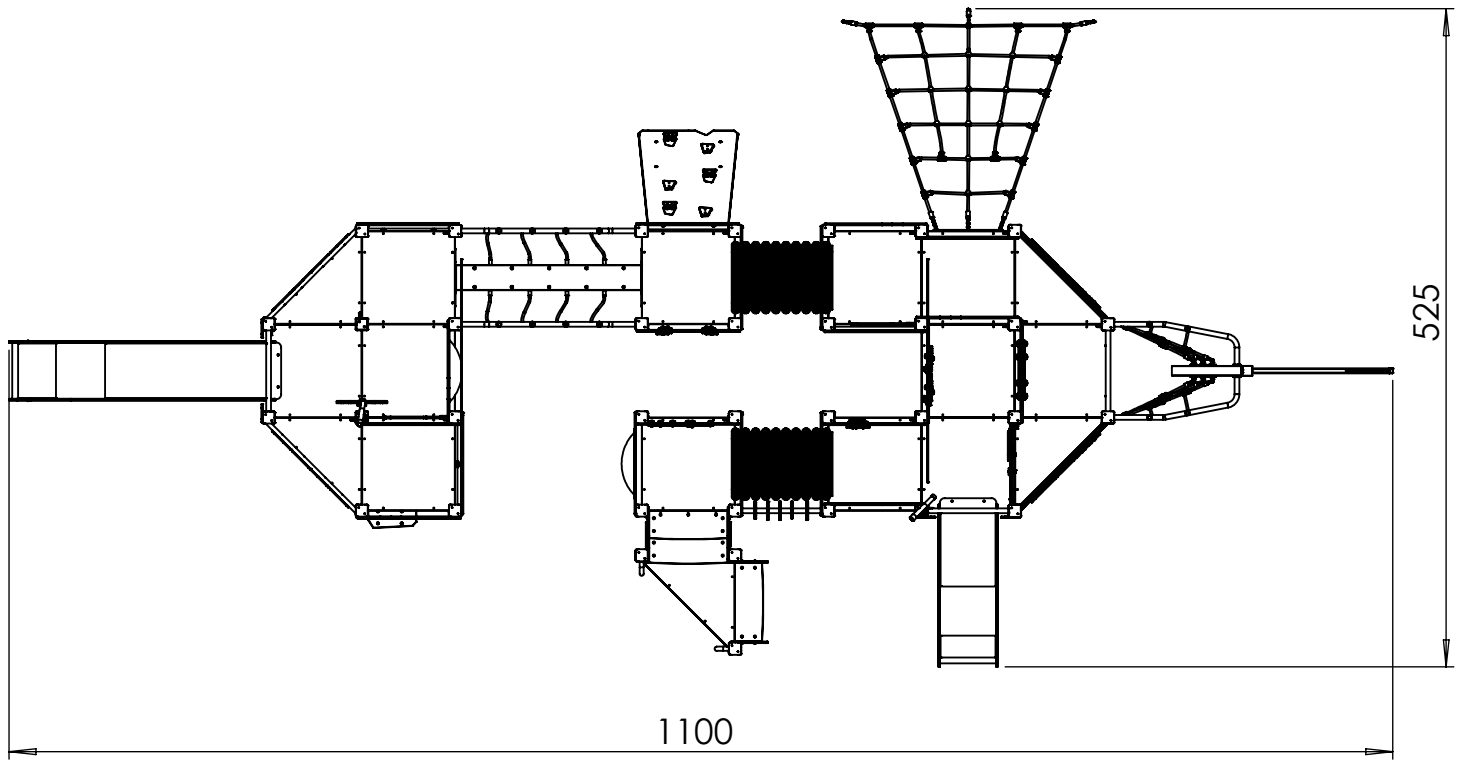
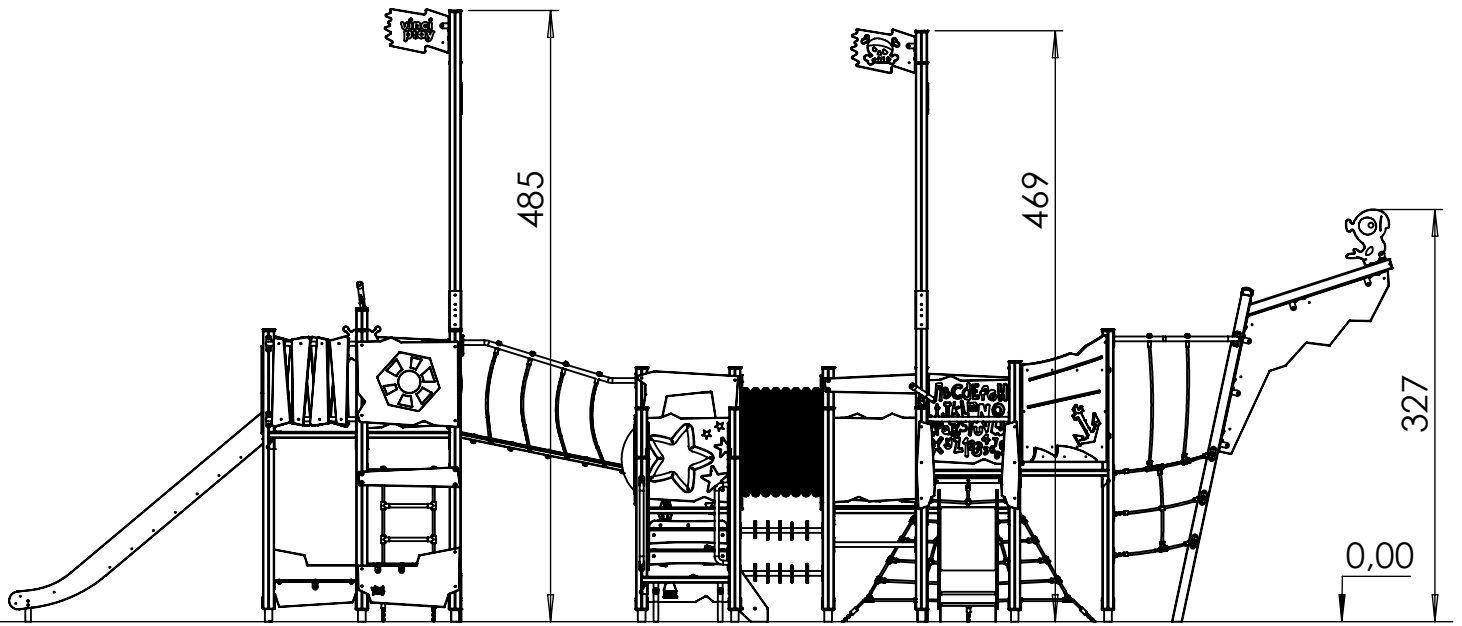
v010
19.07.2022
A.H.
[cm]

vinci
play



[cm]

vinci
play



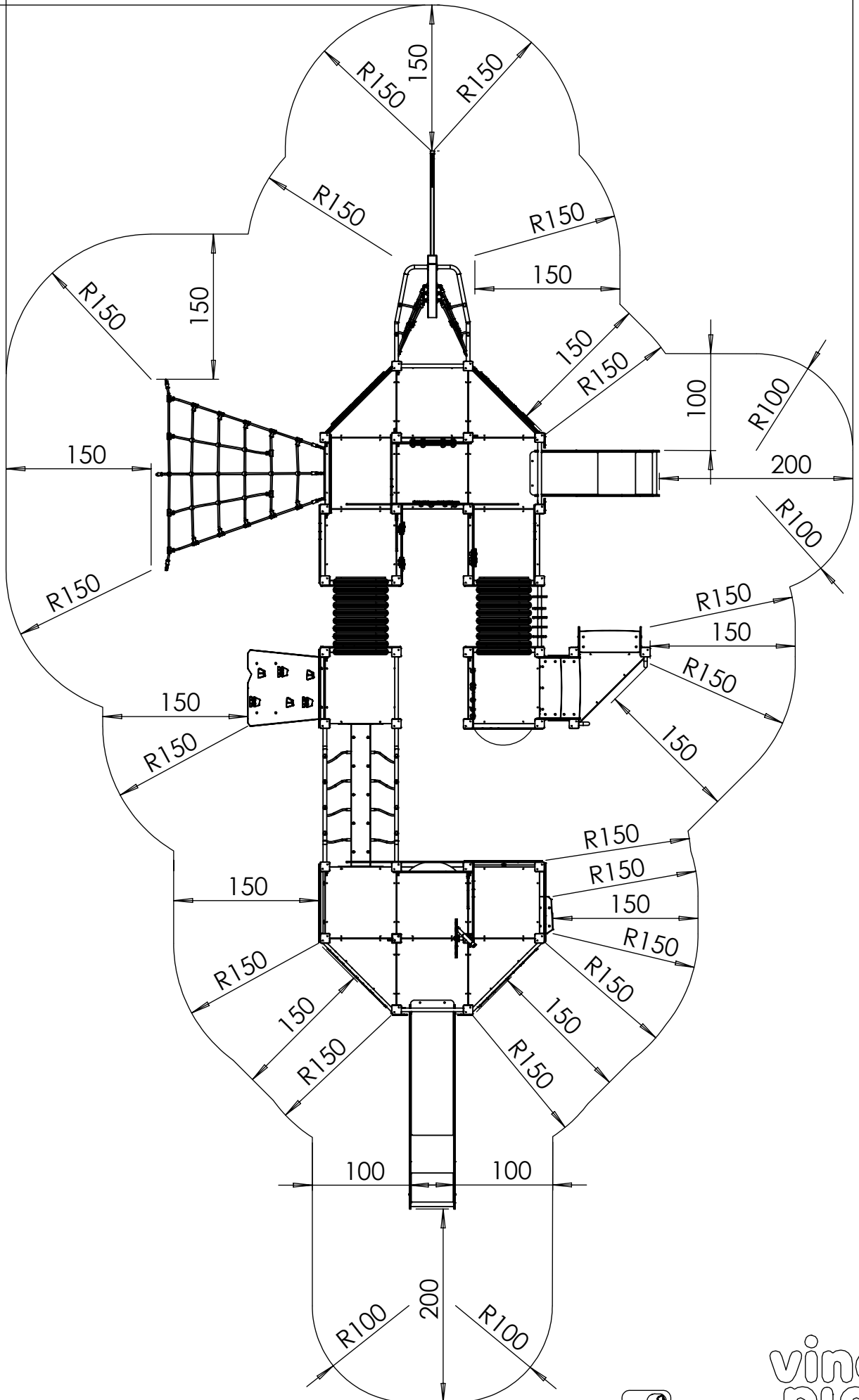
[cm]



vinci
play

875

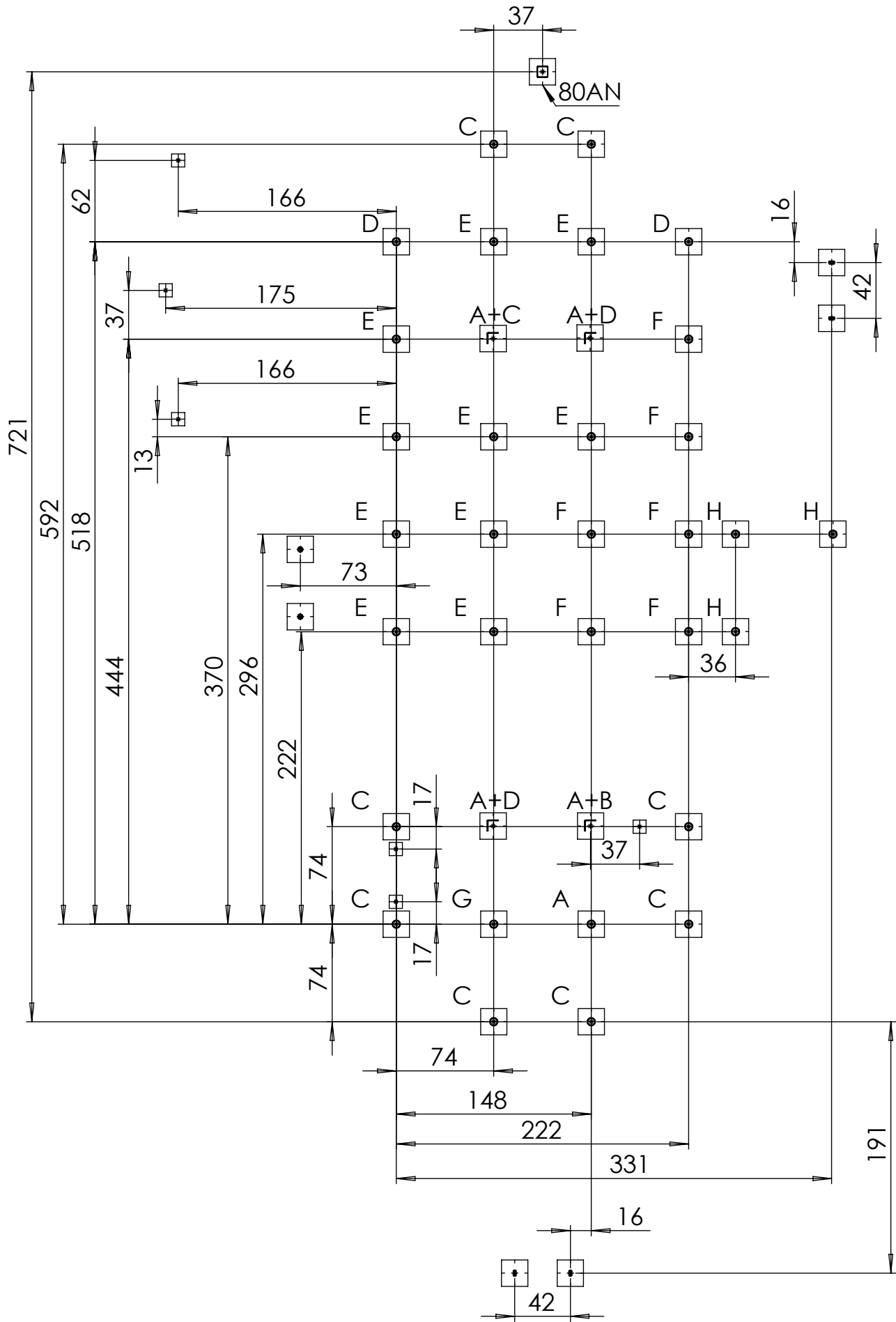
1450



[cm]



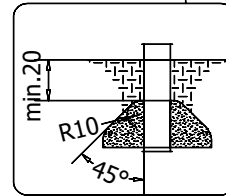
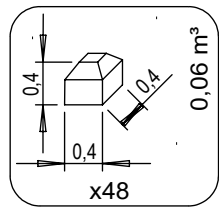
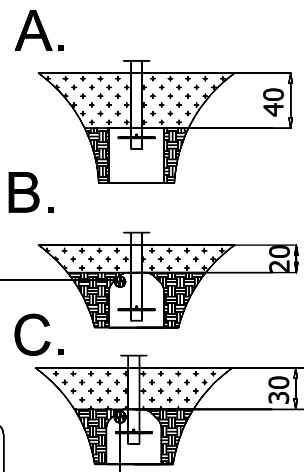
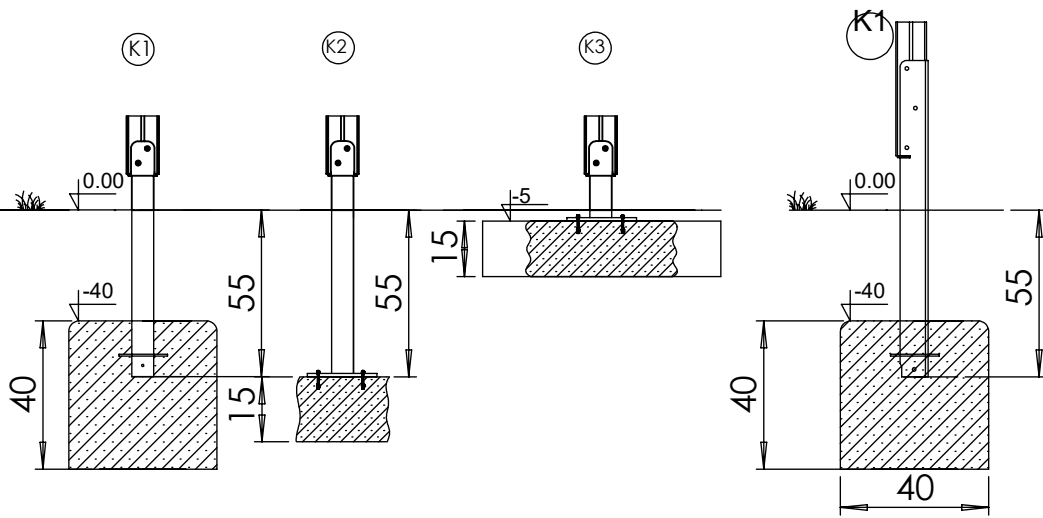
vinci
play



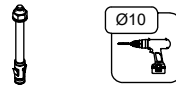
[cm]



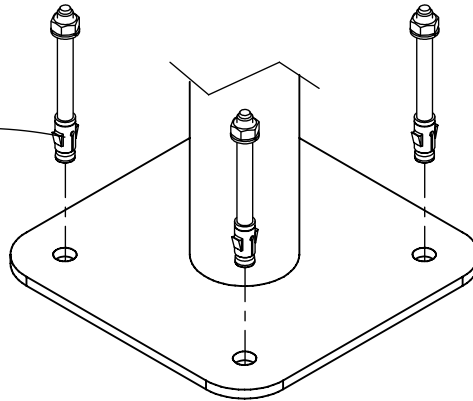
vinci
play



128x M10x120 (K2)
128x M10x120 (K3)



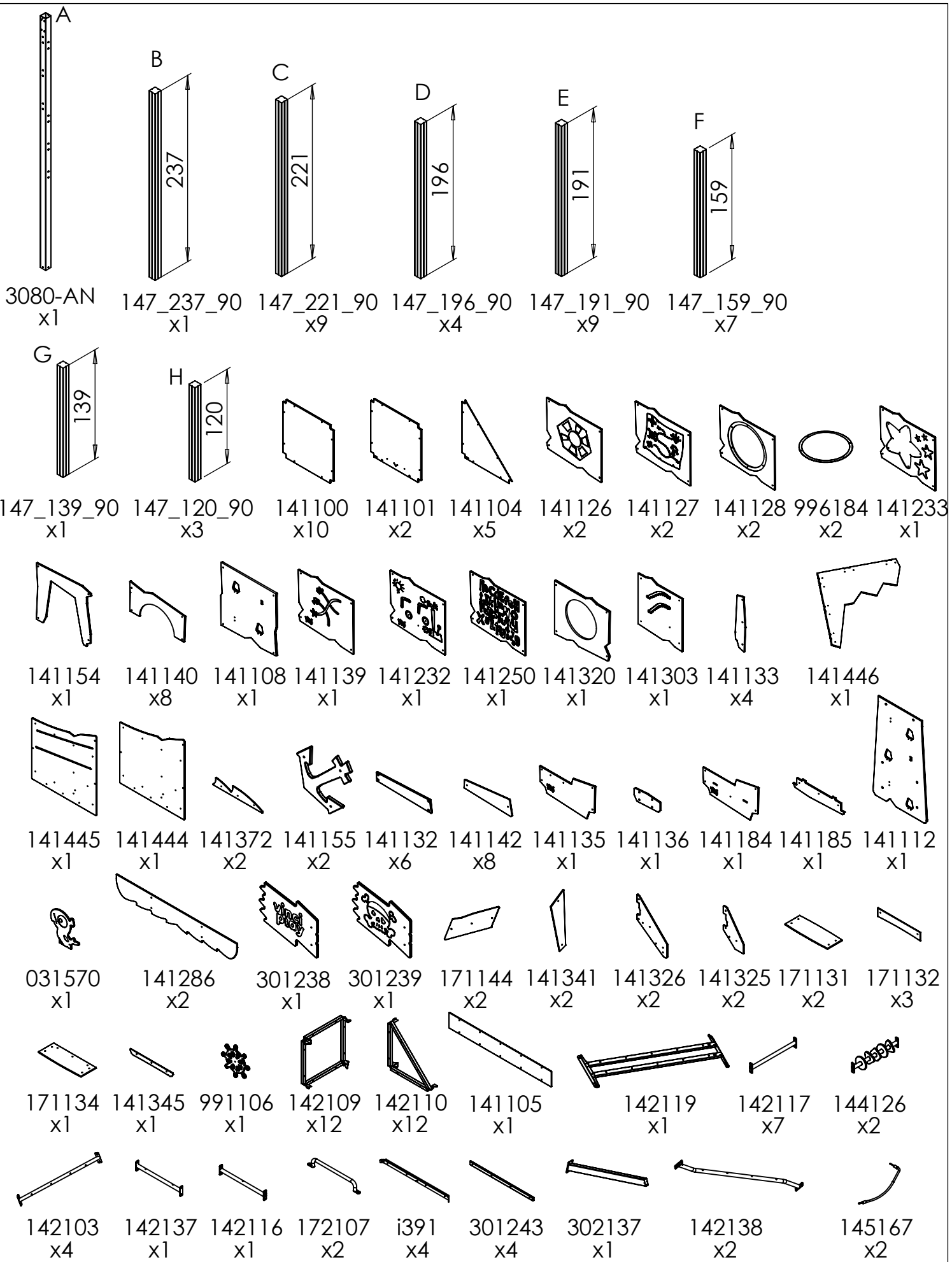
NOT INCLUDED



[cm]



vinci play



[cm]

vinci
play



145168
x2



145169
x2



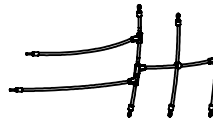
145170
x2



302141
x1



302142
x1



305111
x1



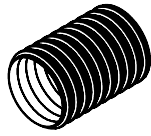
305112
x1



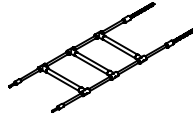
i181
x8



144245
x1



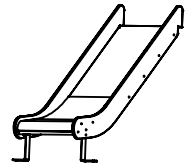
996143
x2



145102
x1



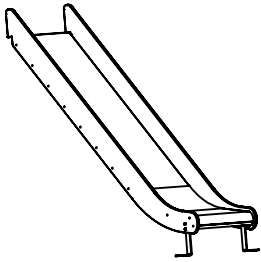
145237
x1



994103
x1



144247
x2



994105
x1



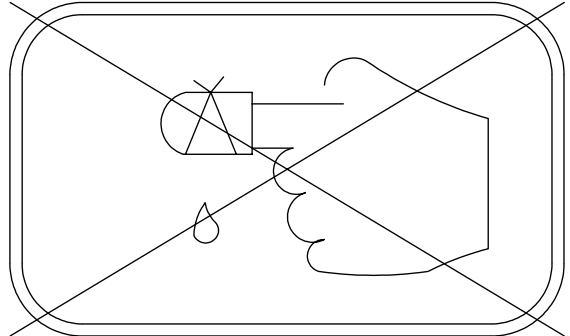
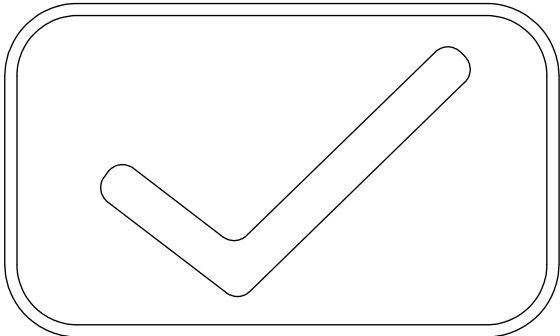
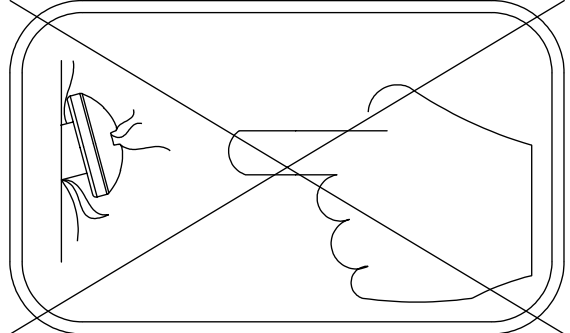
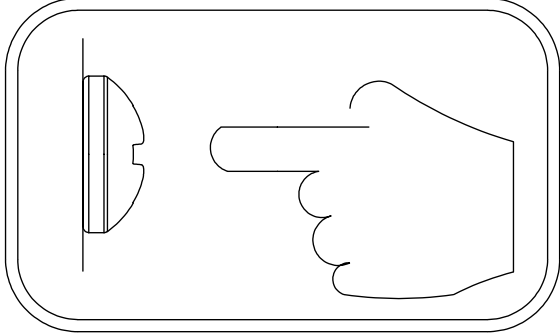
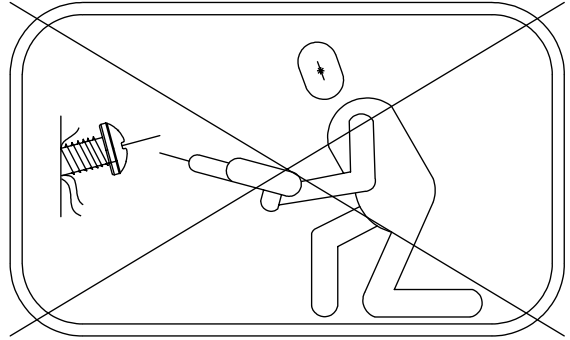
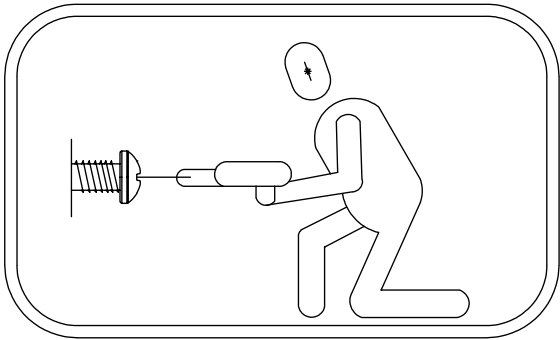
b341
x1

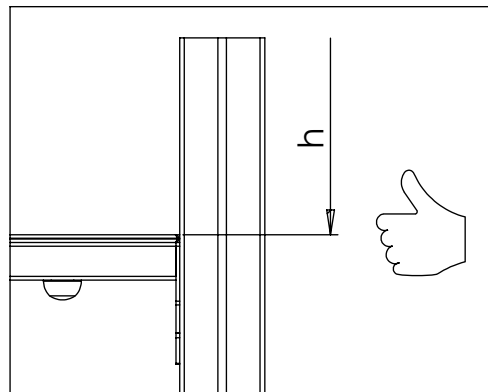
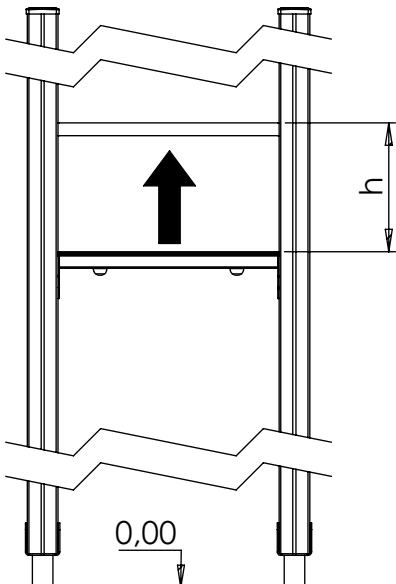
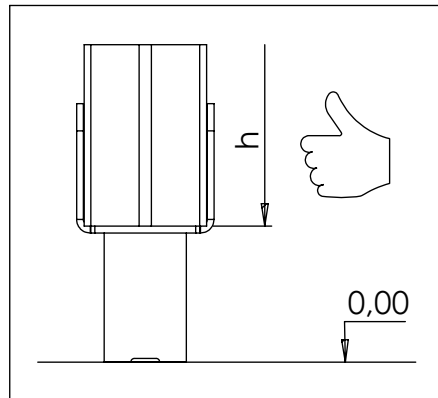
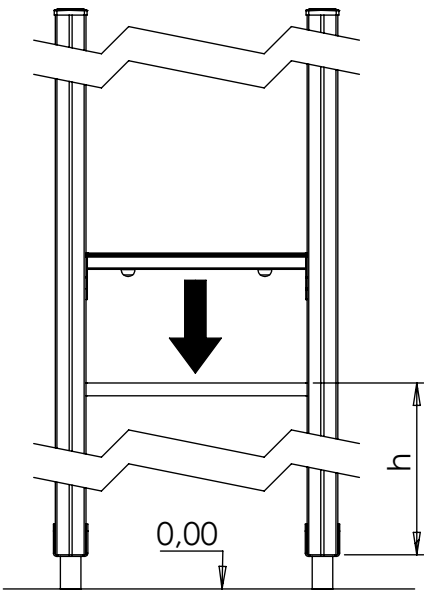
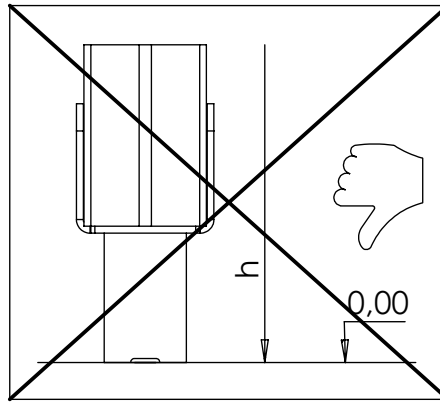
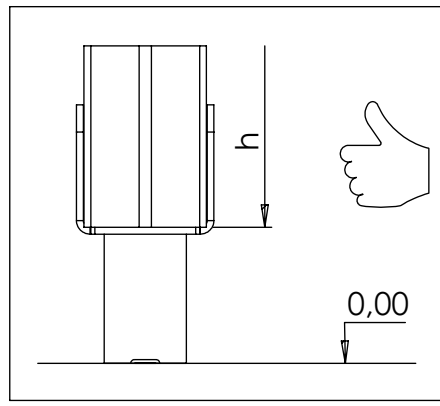
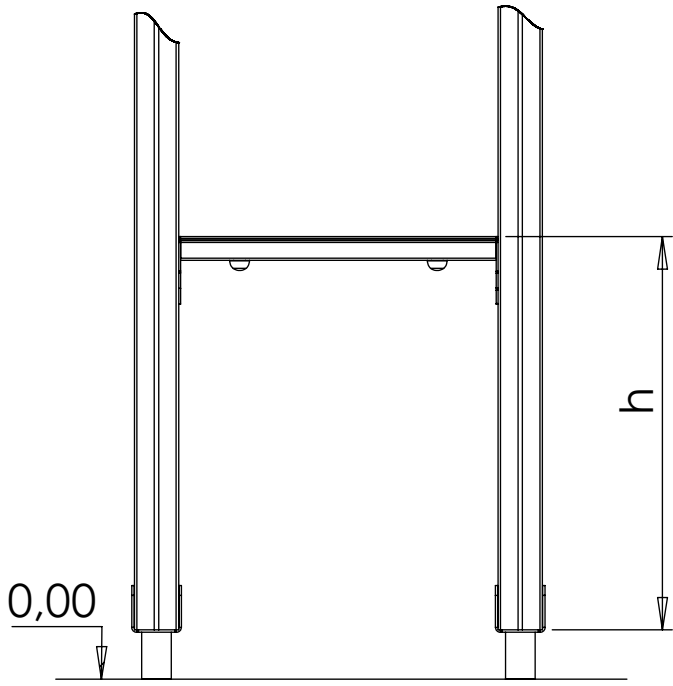
K1	K2	K3	K1	K1,K2	K3	K1,K2	K3
142102 x31	142108 x31	142100 x31	142101 x4	p78 x4	b219 x4	992100 x2	992104 x2

Qty.	ST/INOX
32	DRUT (K1,K23)
616	8x50 sxi
4	6x80 sxt
20	10x25 ikl
2	6x50 sxs
16	10 pp
2	6x50 sxs
6	30e030
1	i076
2	E34 (K1,K3)
2	E35 (K2)
2	i030
1	E150
1	E10
1	E88 (K2,K3)
4	i128
2	WD2
1	WD14-1
1	WD14-2
2	WD52 (K2,K3)
3	WD14-4
1	V001

Qty.	PLYWOOD/HDPE
1	WD72
9	WD74
7	WD76
4	c080
2	CE9
1	WD17
1	WD19
2	WD28 (S1)
2	WD113 (S6)
1	CE6
1	WD42
1	PS52
1	CE8
1	WD40
1	WD112
1	CE83
1	WD37
1	WE125
2	WE126
7	WD213
3	WD97
2	WD105
2	WD100
1	WD91
1	WD103
6	WD50
32	WD1
2	c002

Qty.	HPL
1	WD73
9	WD75
7	WD77
4	CL60
2	CL9
1	WD18
1	WD20
2	WD29 (S1)
2	WD114 (S6)
1	CL6
1	WD43
1	PH52
1	CL8
1	WD41
1	WD137
1	CL83
1	WD38
1	WL125
2	WL126

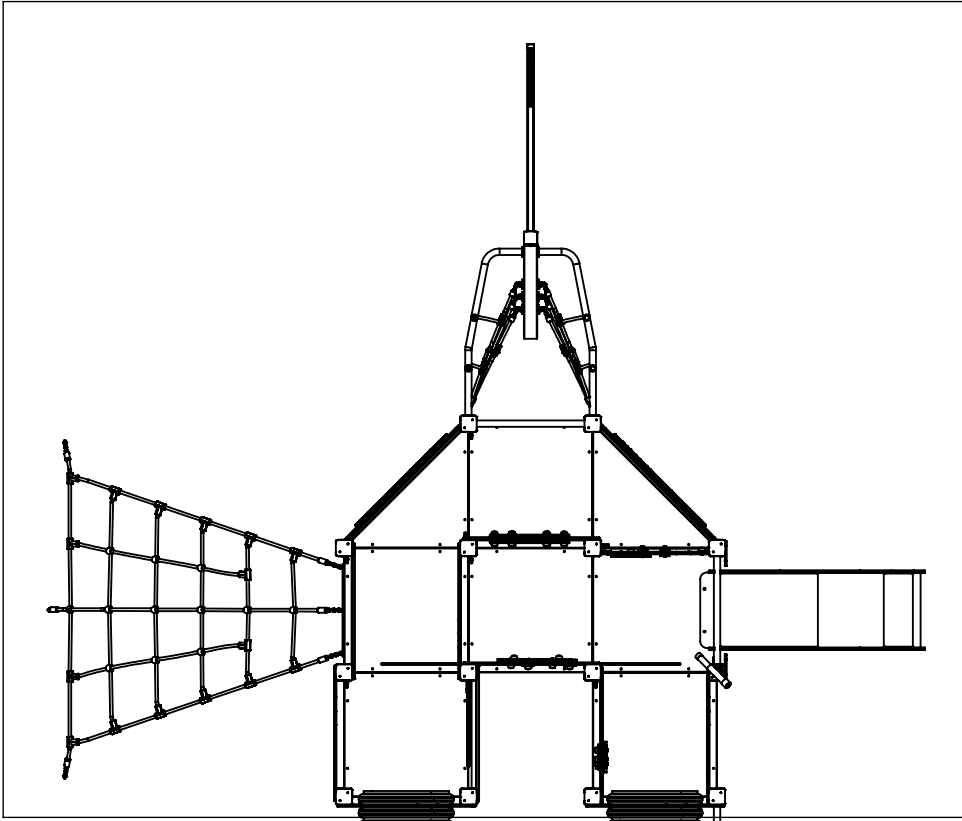




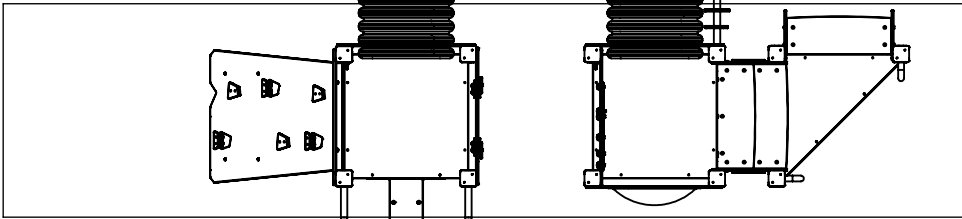
[cm]

vinci
play

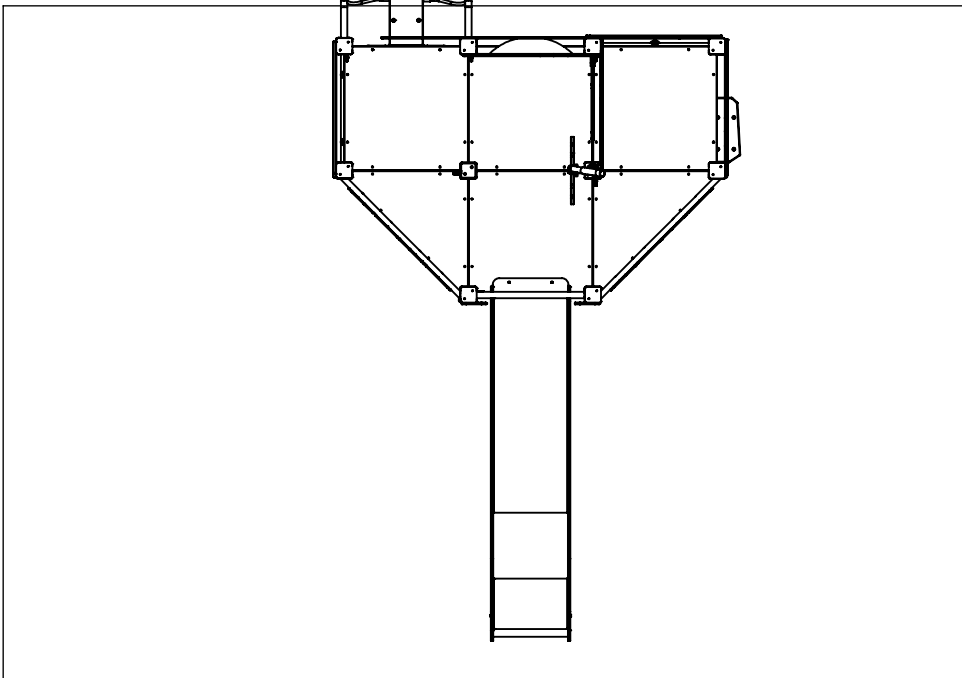
A



B

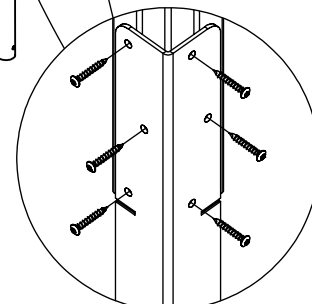
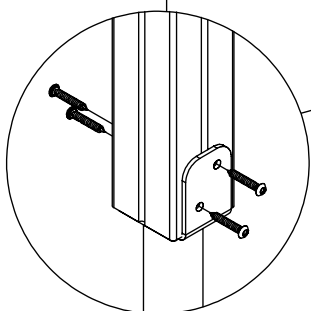
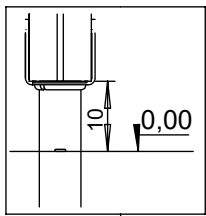
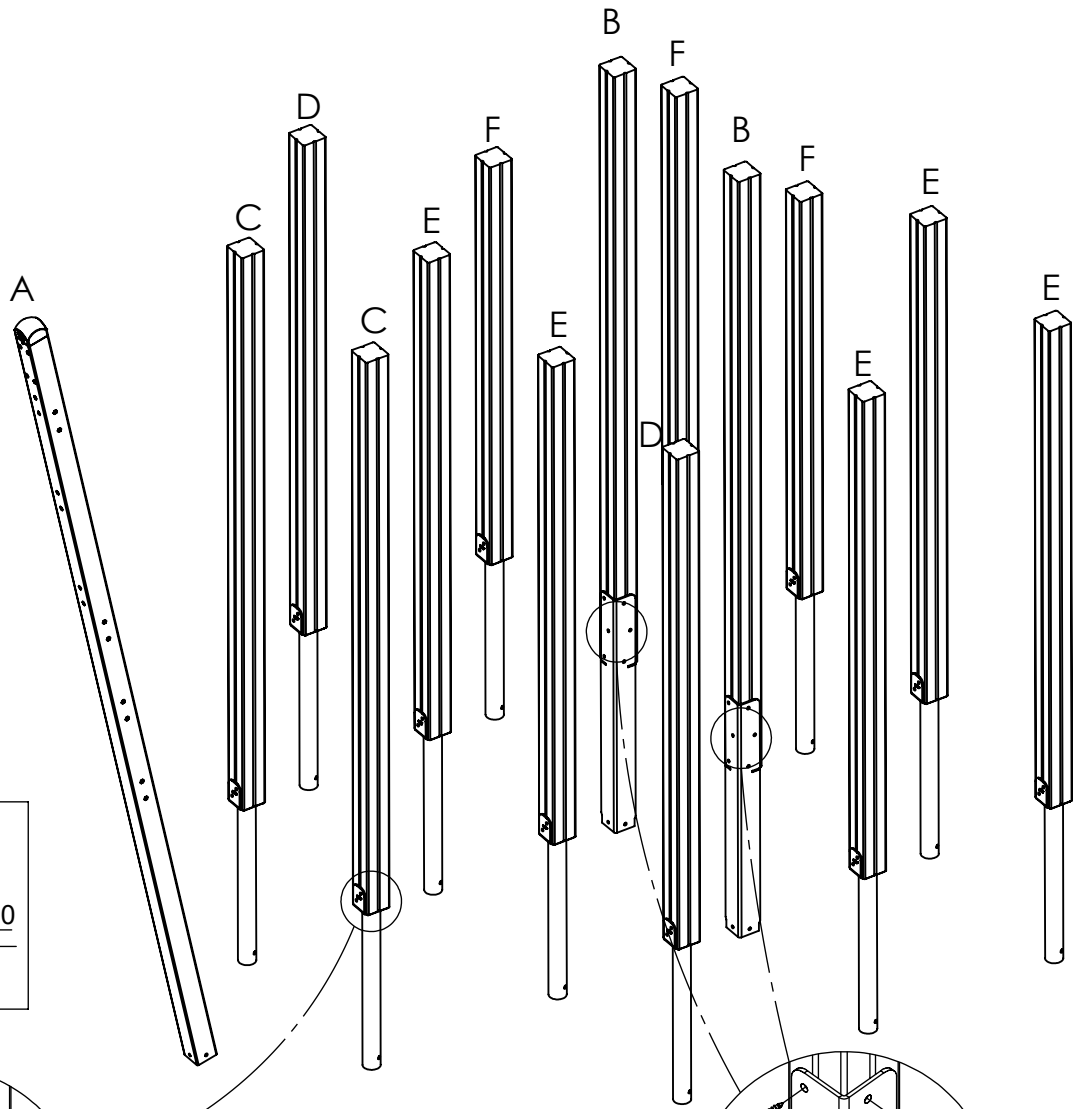
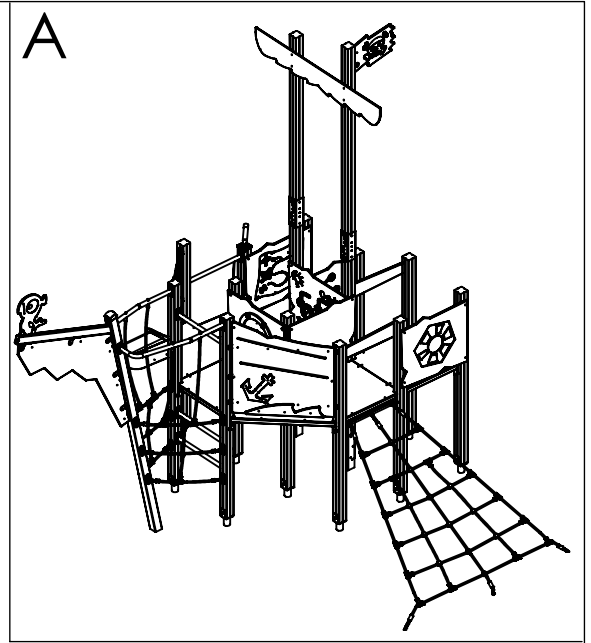


C



[cm]

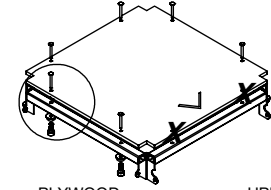
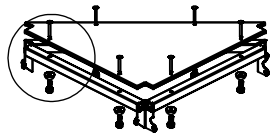
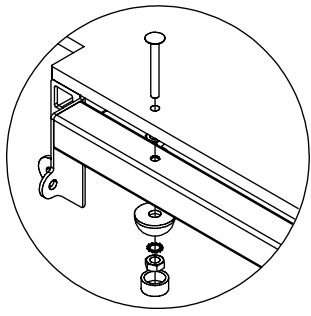
vinci
play



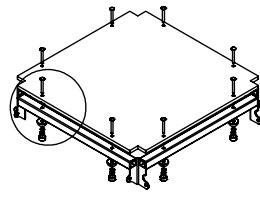
[cm] 48x 8x50sxi

12x 8x50sxi

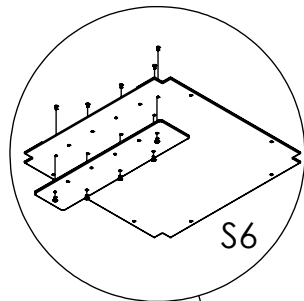
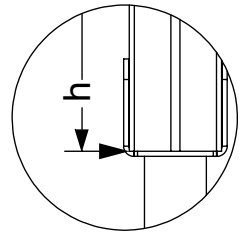
vinci
play



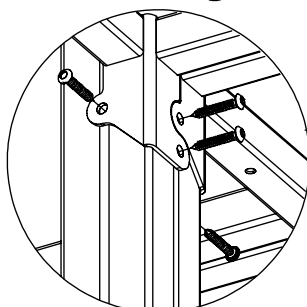
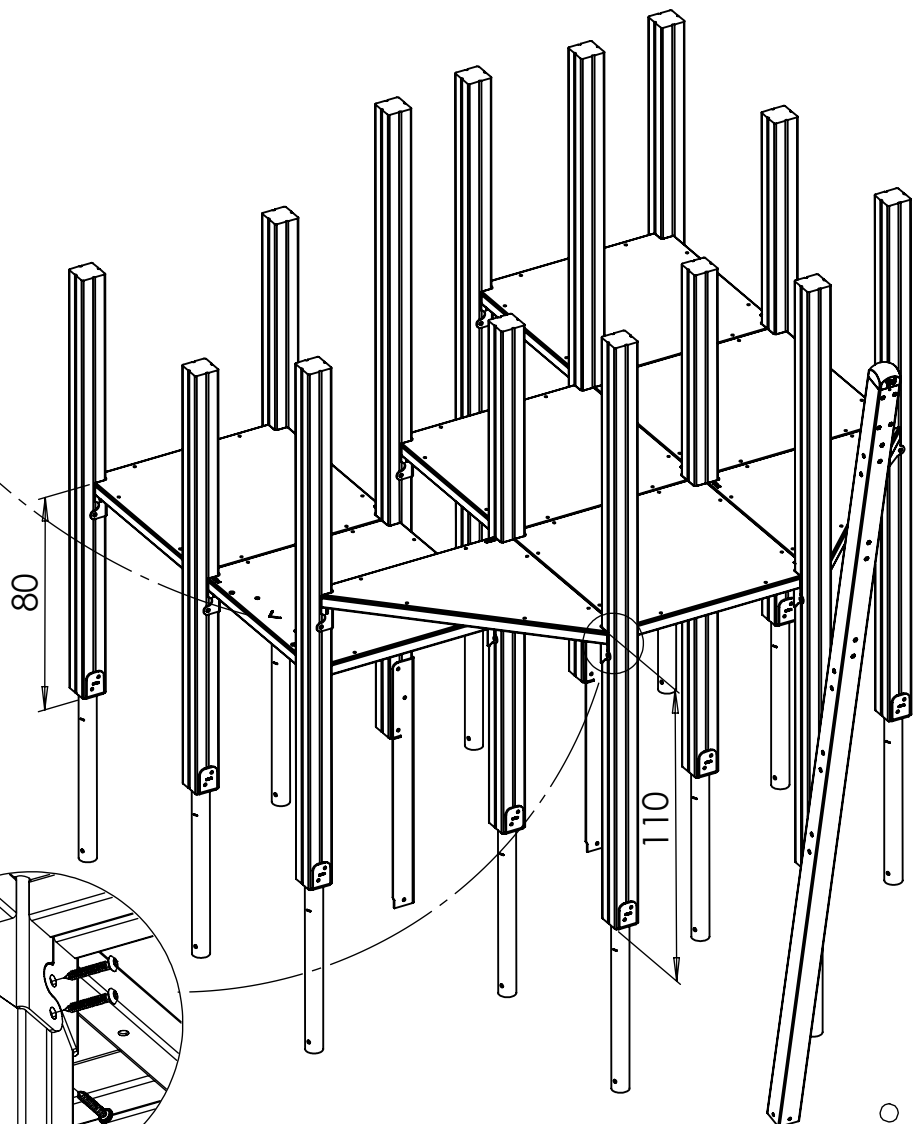
4x PLYWOOD **WD74** HPL **WD75**



4x PLYWOOD **WD76** HPL **WD77**



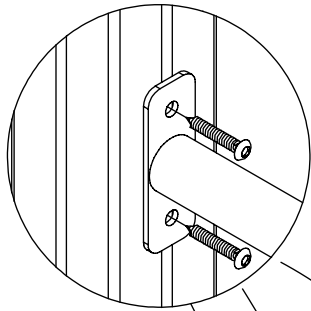
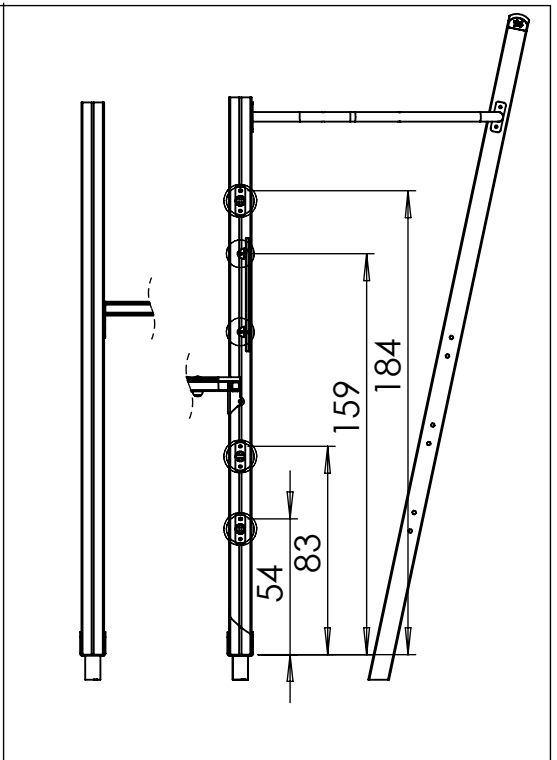
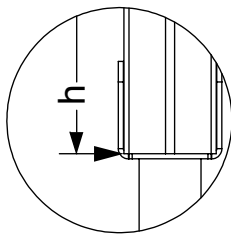
1x **T7p06T**



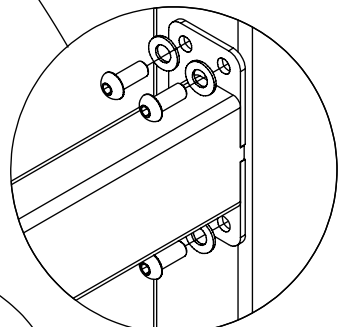
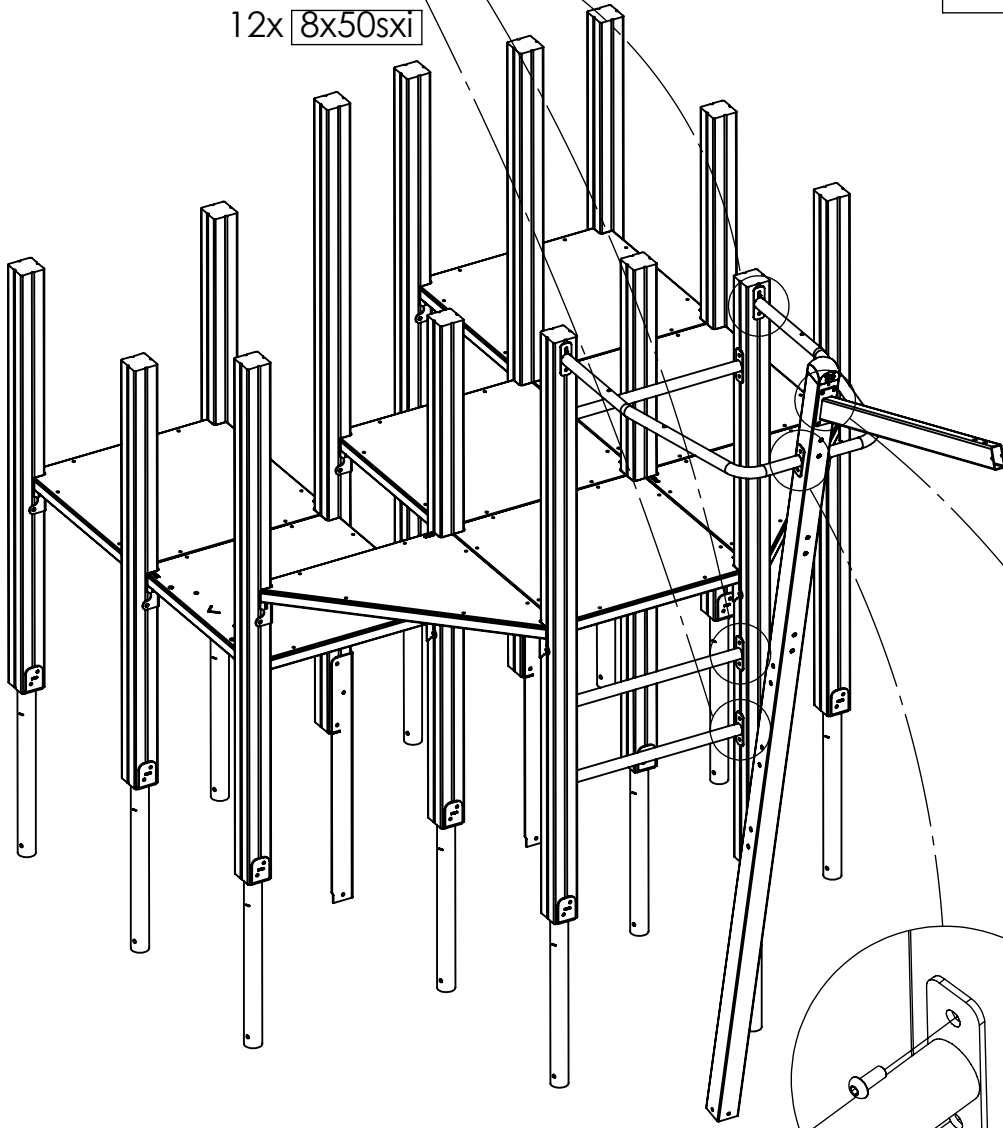
60x **8x50sxi**

[cm]

vinci
play

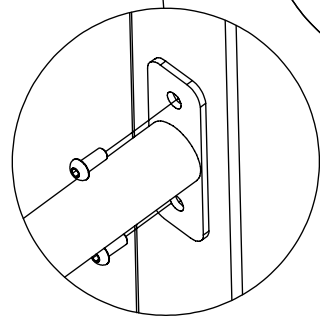


12x 8x50sxi



4x 10x25ikl

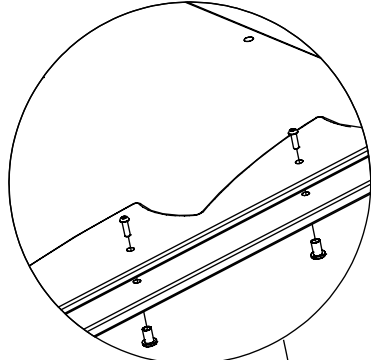
4x 10pp



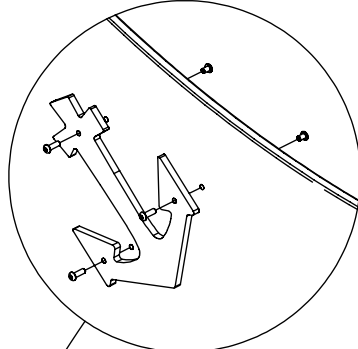
4x 10x25ikl

[cm]

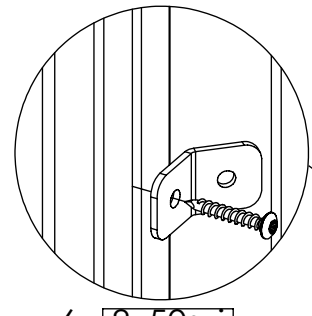
vinci
play



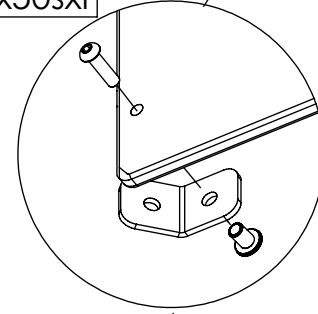
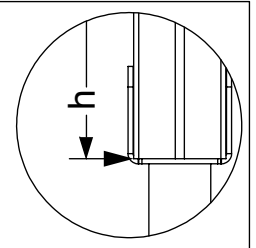
2x **c080** **c074**



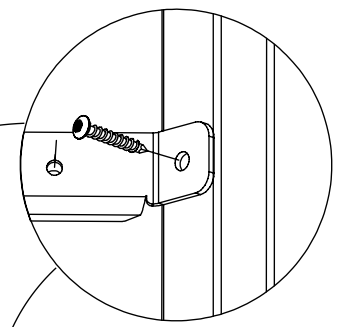
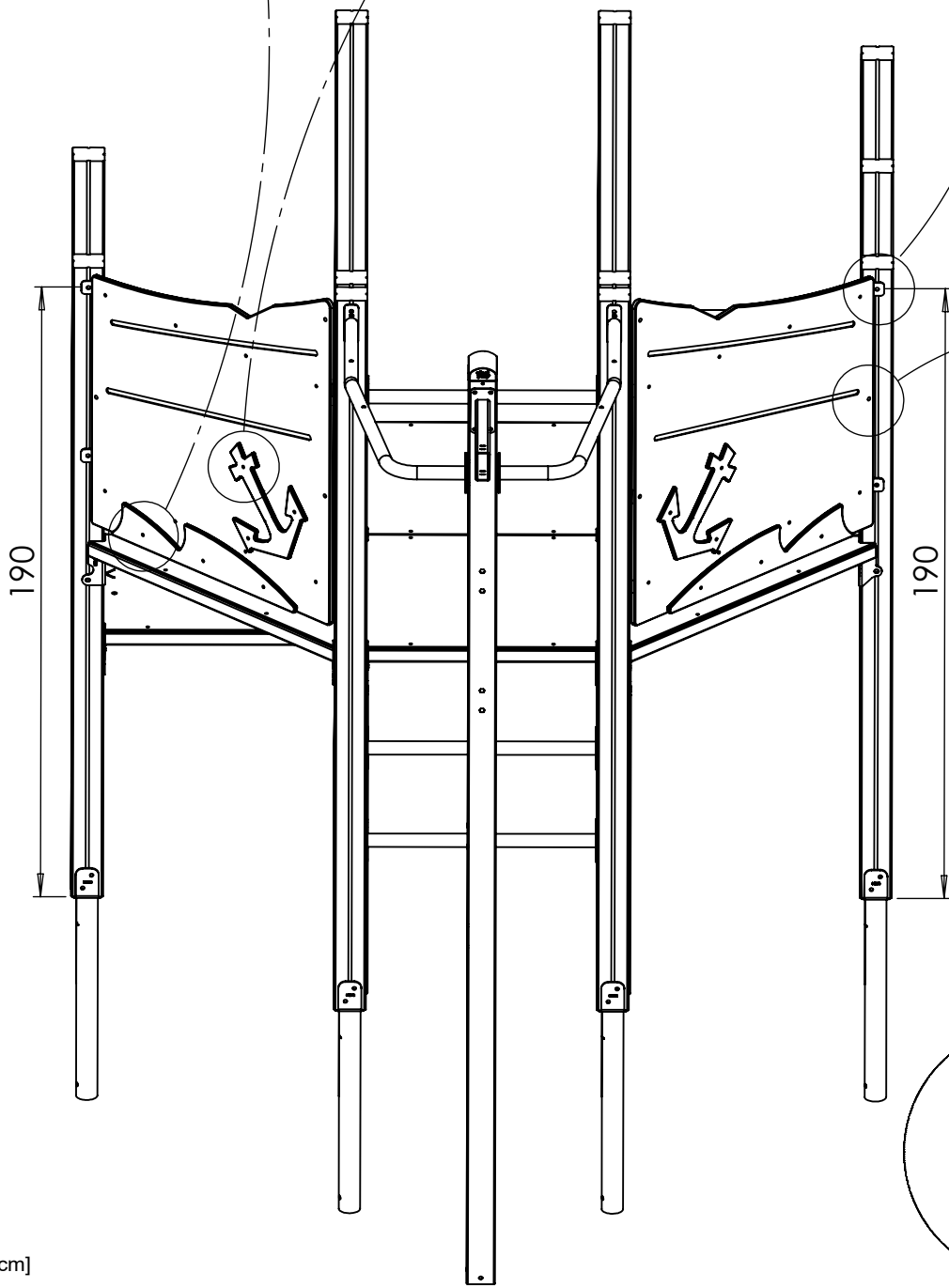
2x **c080** **c074**



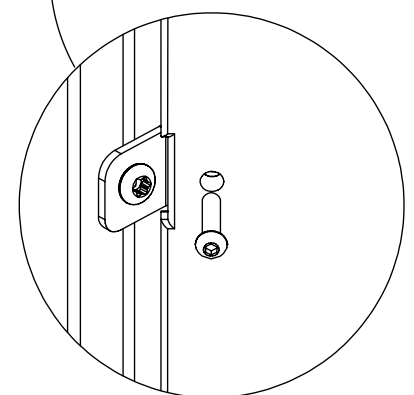
6x **8x50sxi**



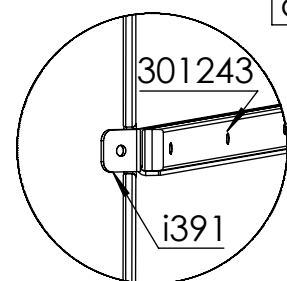
2x **c140**



8x **8x50sxi**



c140

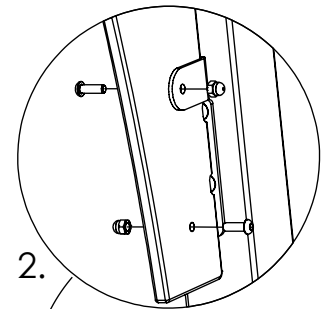
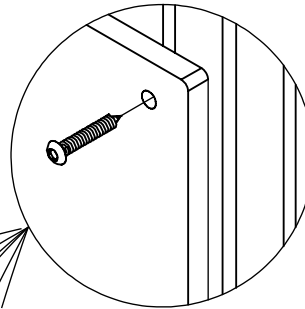
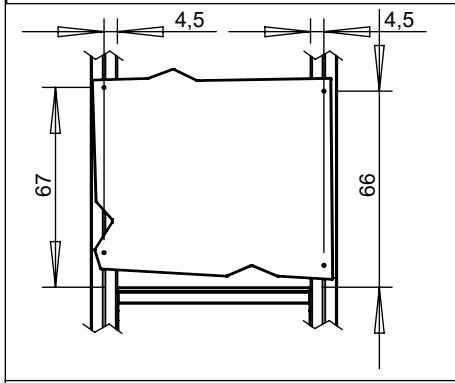
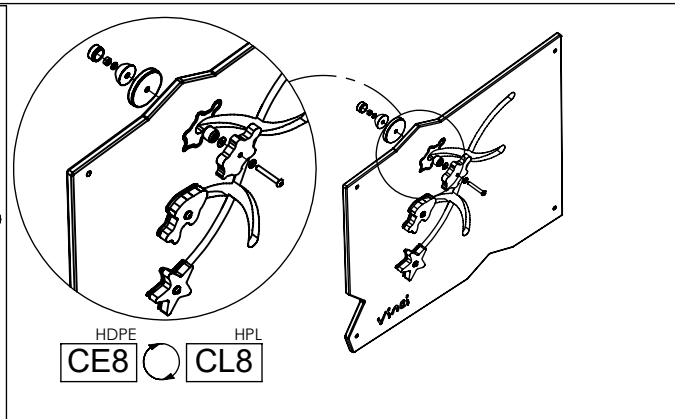
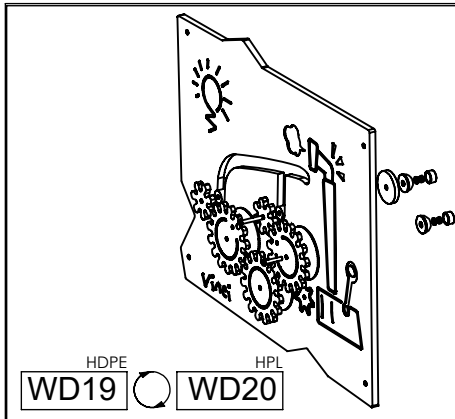


301243

i391

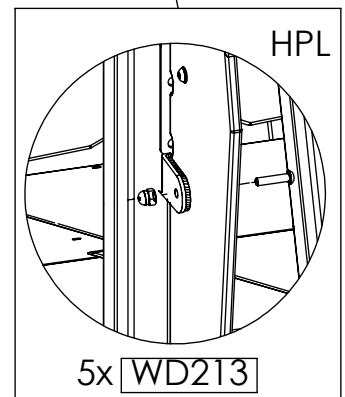
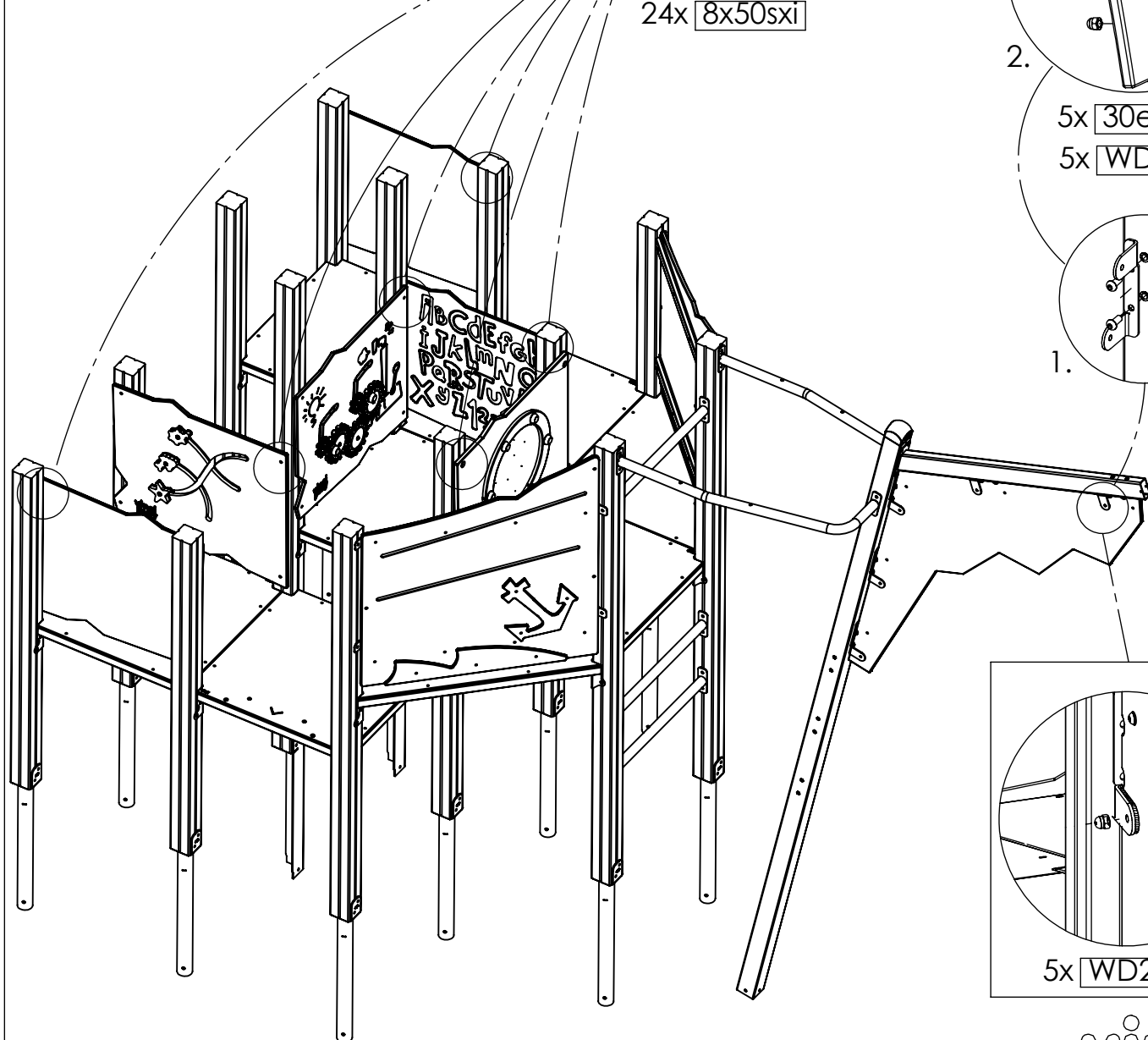
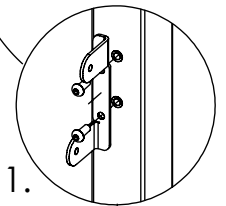
vinci
play

[cm]



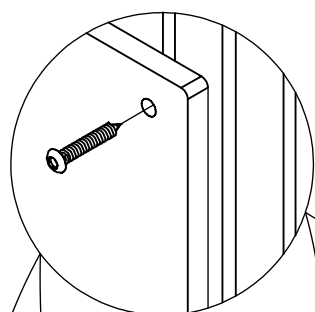
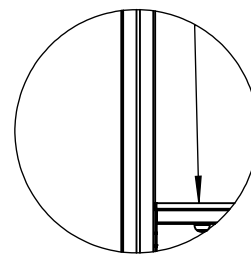
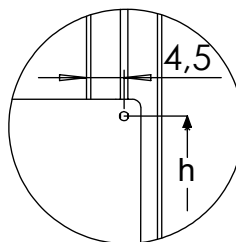
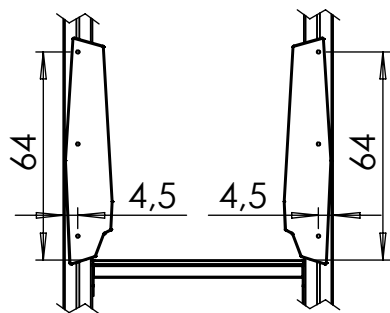
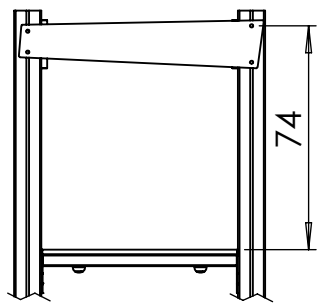
5x 30e030

5x WD213

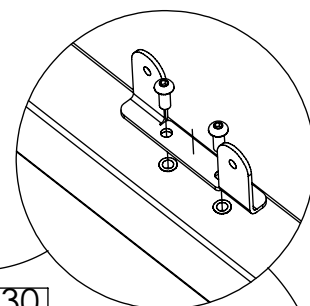
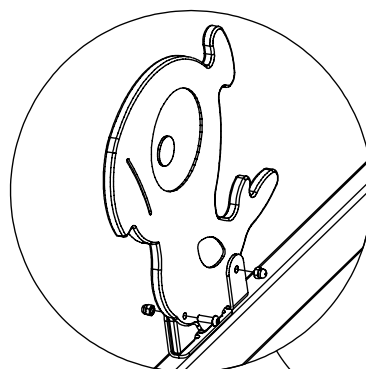


[cm]

vinci
play

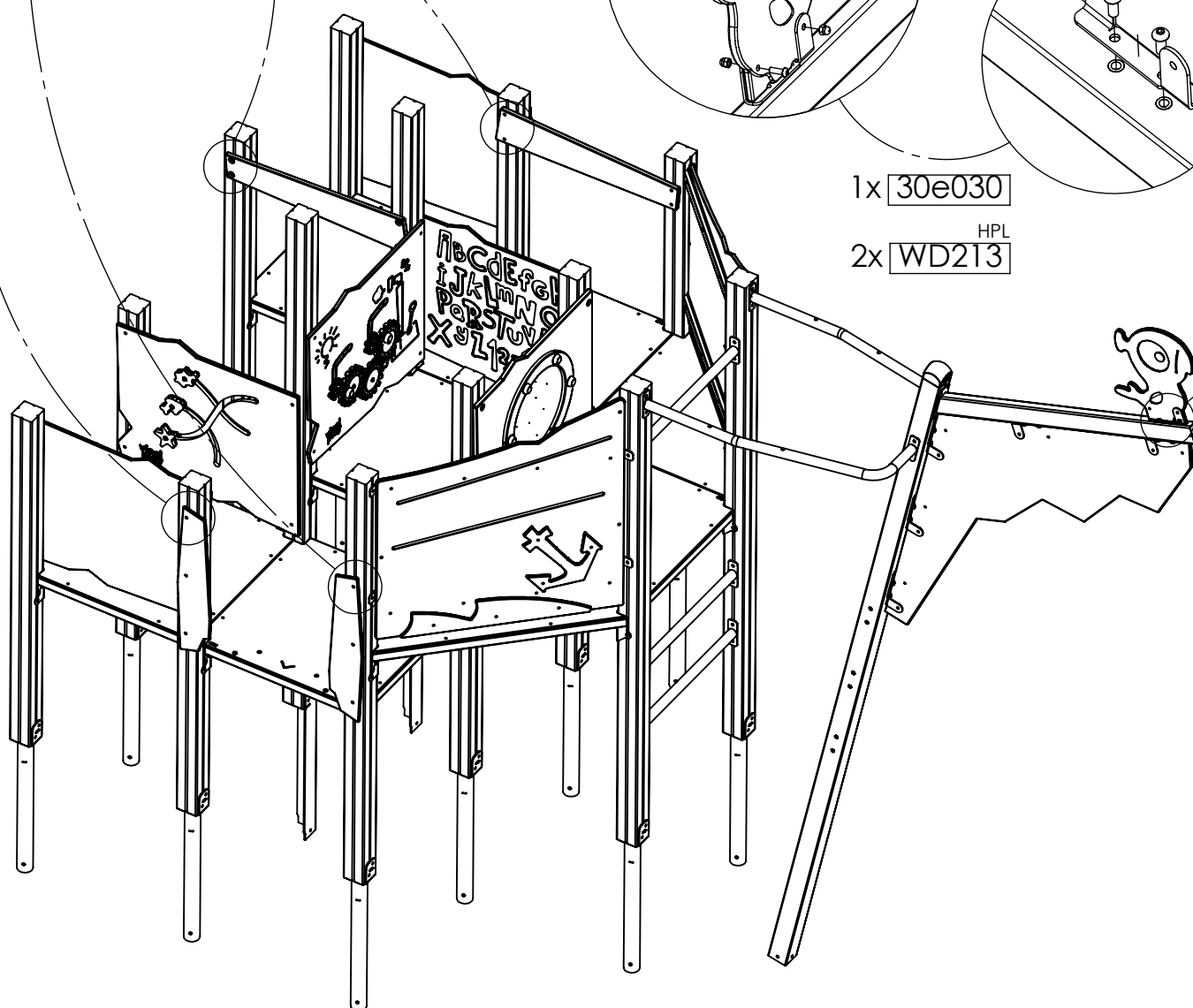


14x 8x50sxi



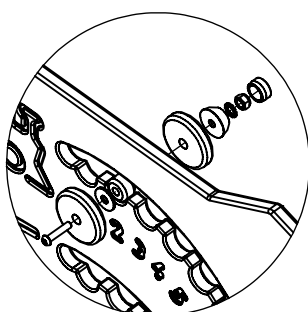
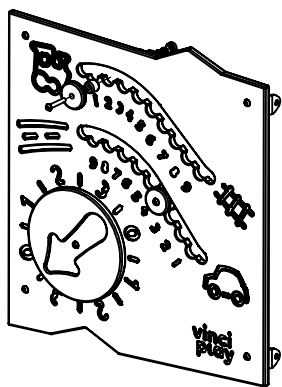
1x 30e030

2x ^{HPL}WD213

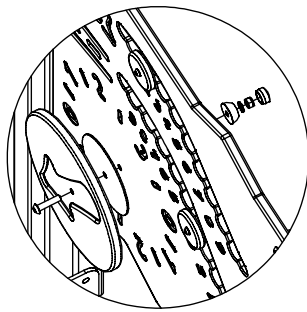


[cm]

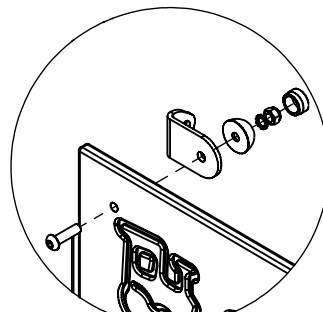
vinci
play



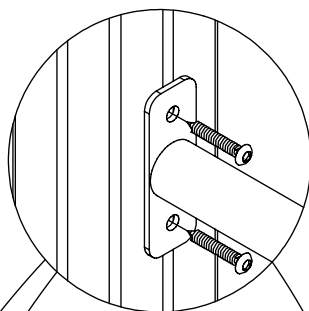
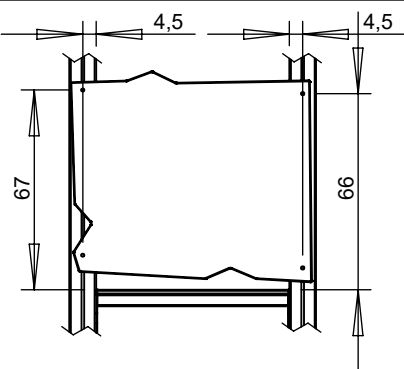
HDPE HPL
WE126 ○ WL126



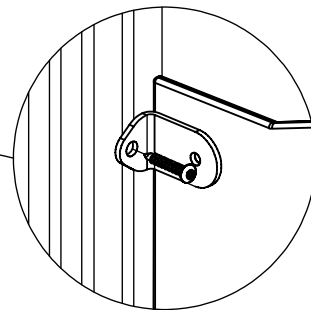
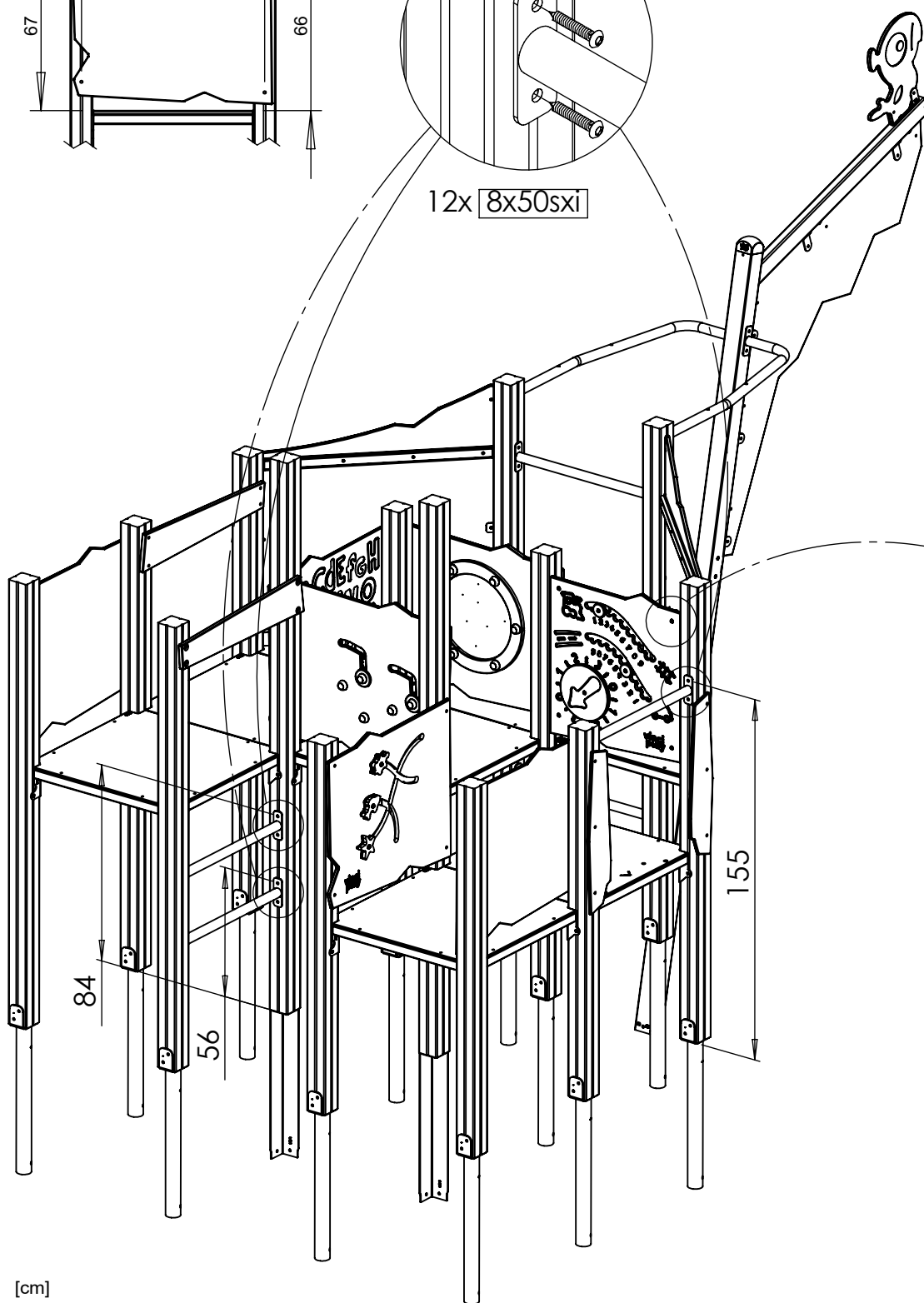
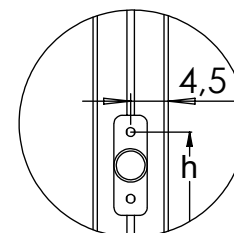
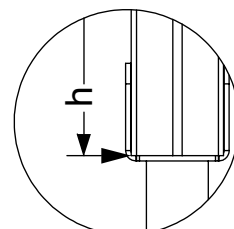
HDPE HPL
CE83 ○ CL83



HDPE HPL
WE125 ○ WL125



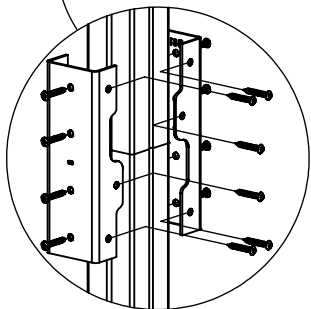
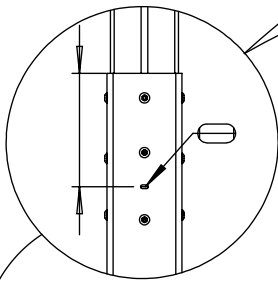
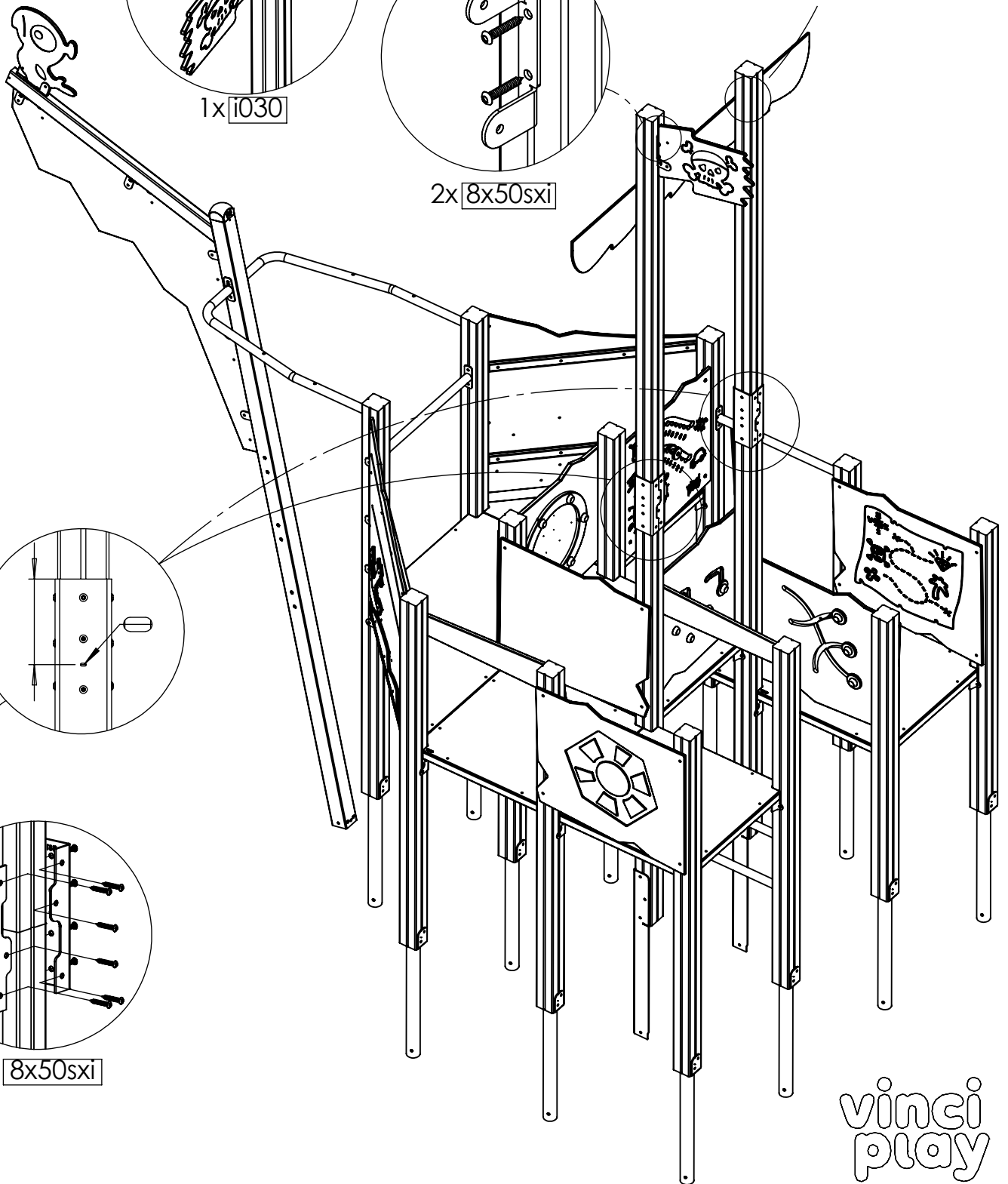
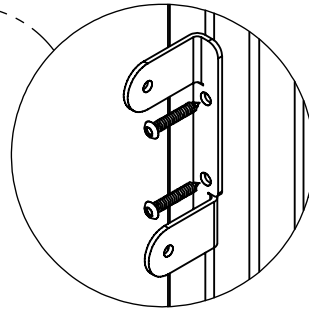
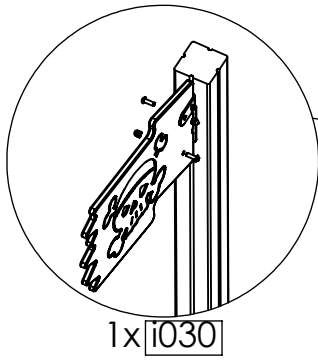
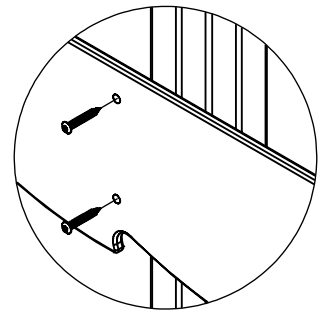
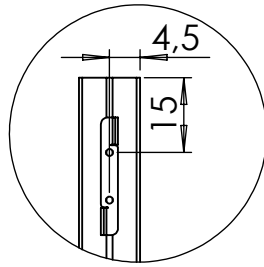
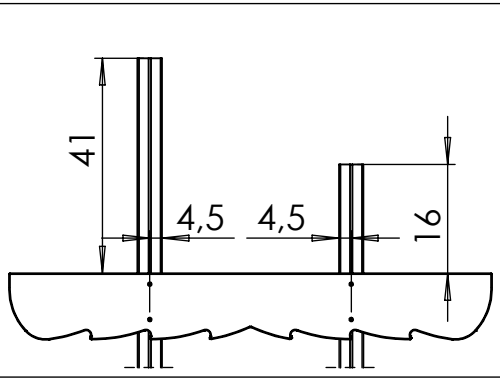
12x 8x50sxi



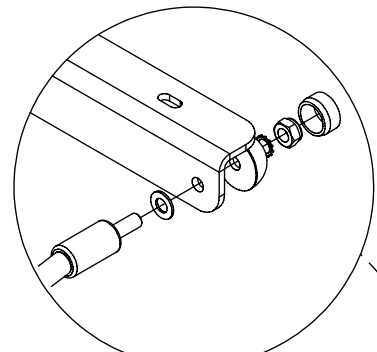
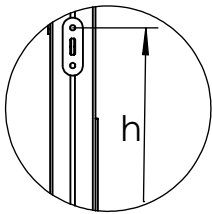
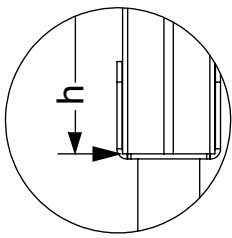
4x 8x50sxi

[cm]

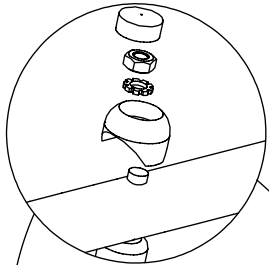
vinci
play



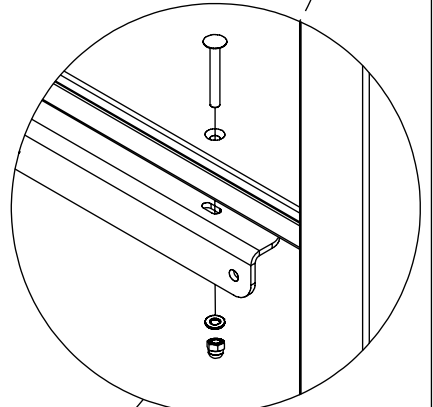
vinci
play



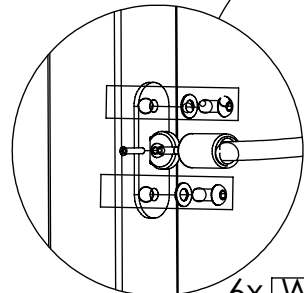
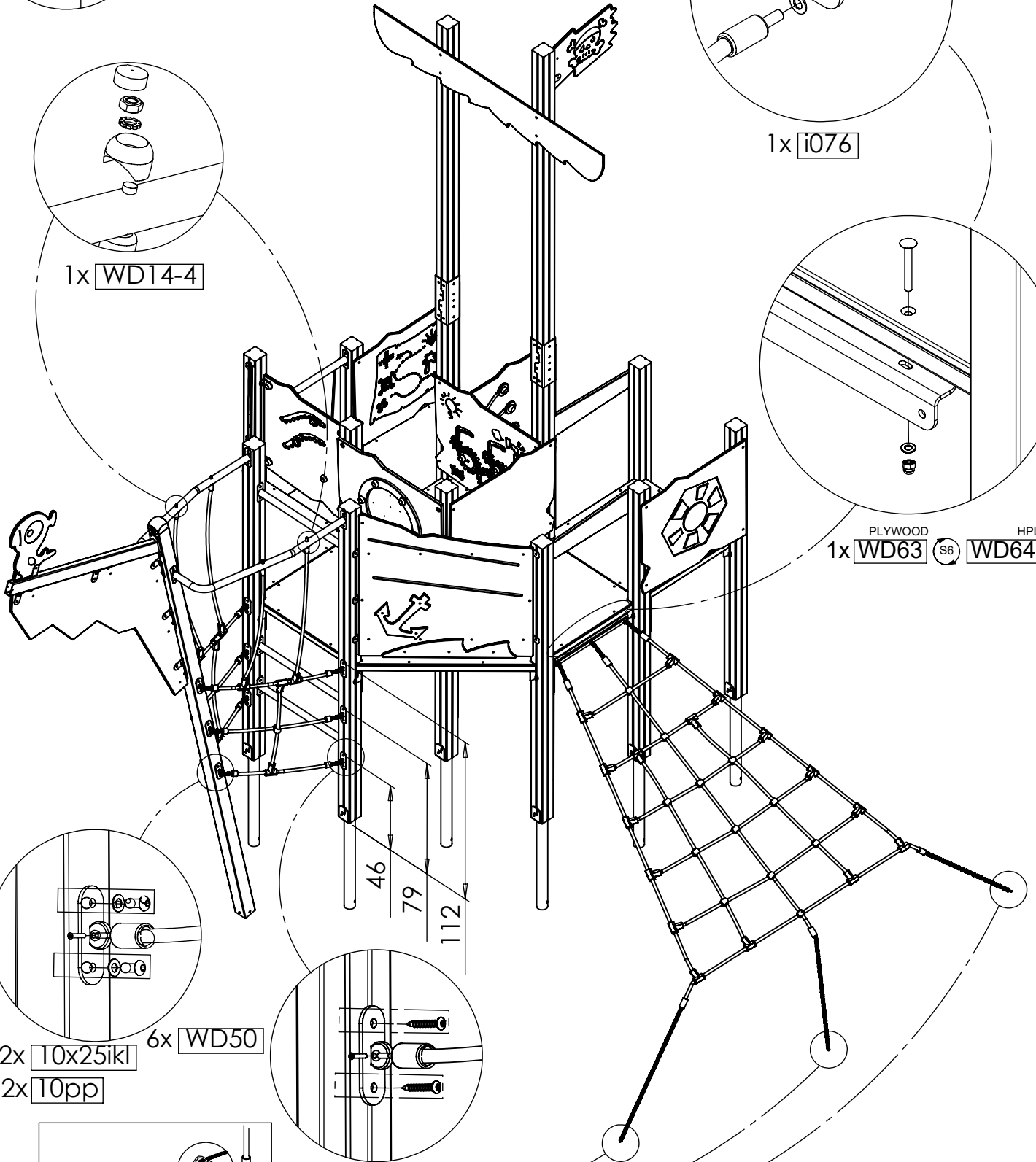
1x **i076**



1x **WD14-4**

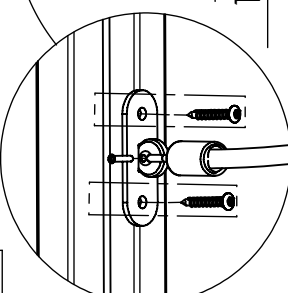


PLYWOOD
1x **WD63** **S6** HPL
WD64

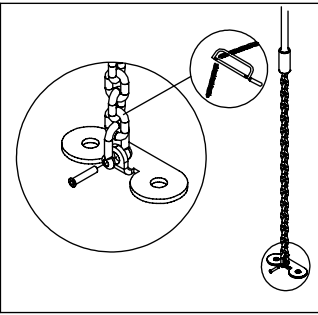


12x **T0x25iki**
12x **T0pp**

6x **WD50**



12x **8x50sxi**

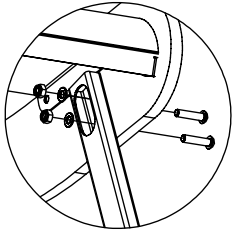
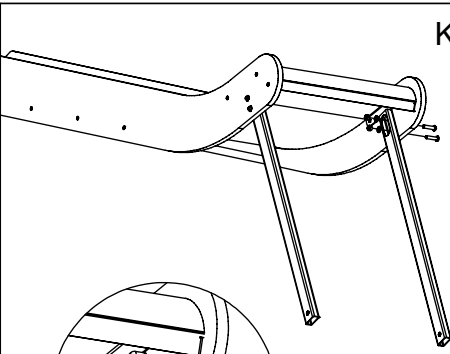


3x **WD52**

[cm]

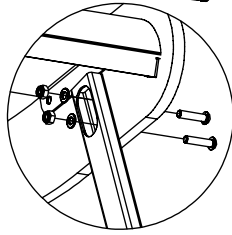
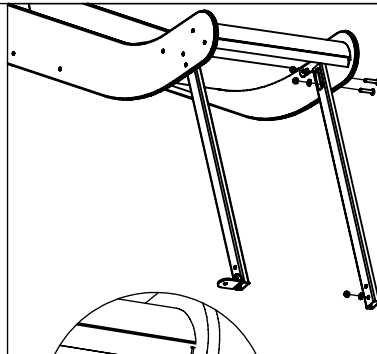
vinci
play

K1

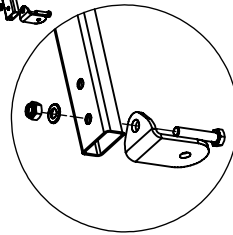


1x E34

K2

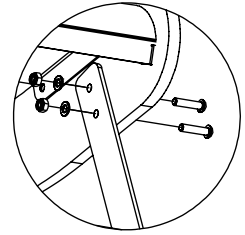
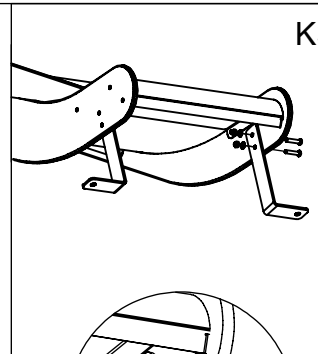


1x E35

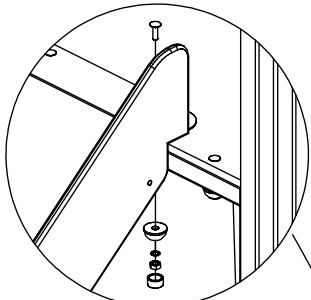


1x E35

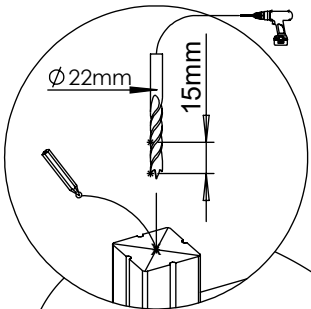
K3



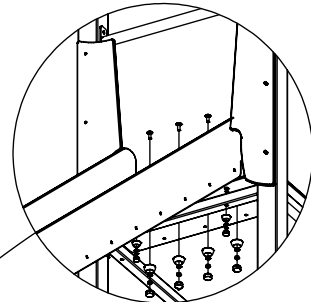
1x E34



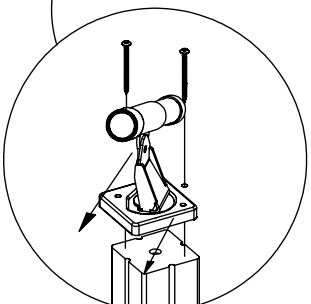
PLYWOOD HPL
1x WD28 S1 WD29



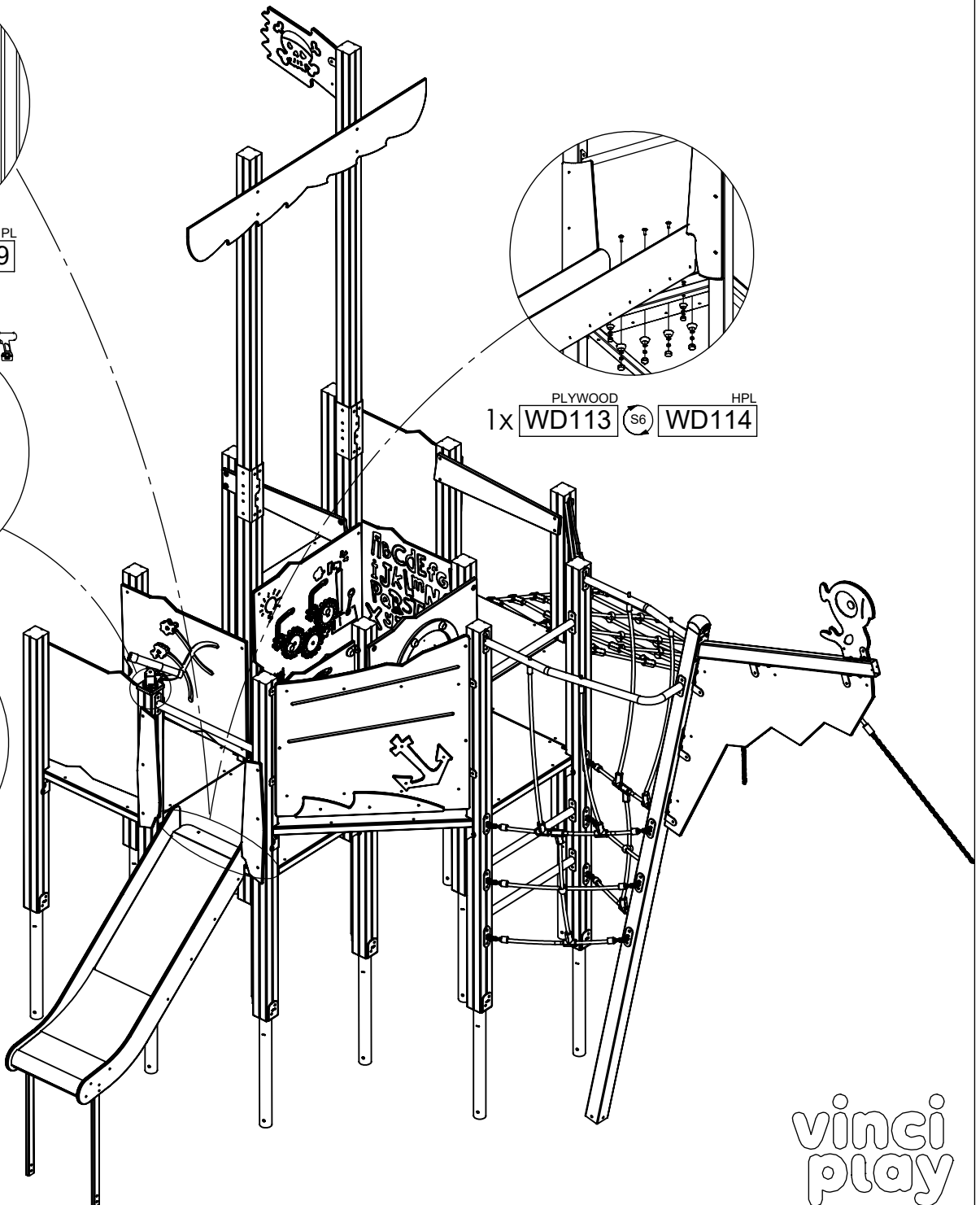
Ø22mm
15mm



PLYWOOD HPL
1x WD113 S6 WD114

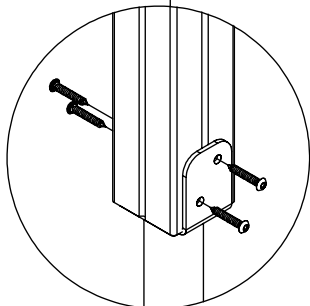
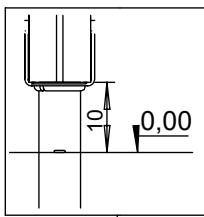
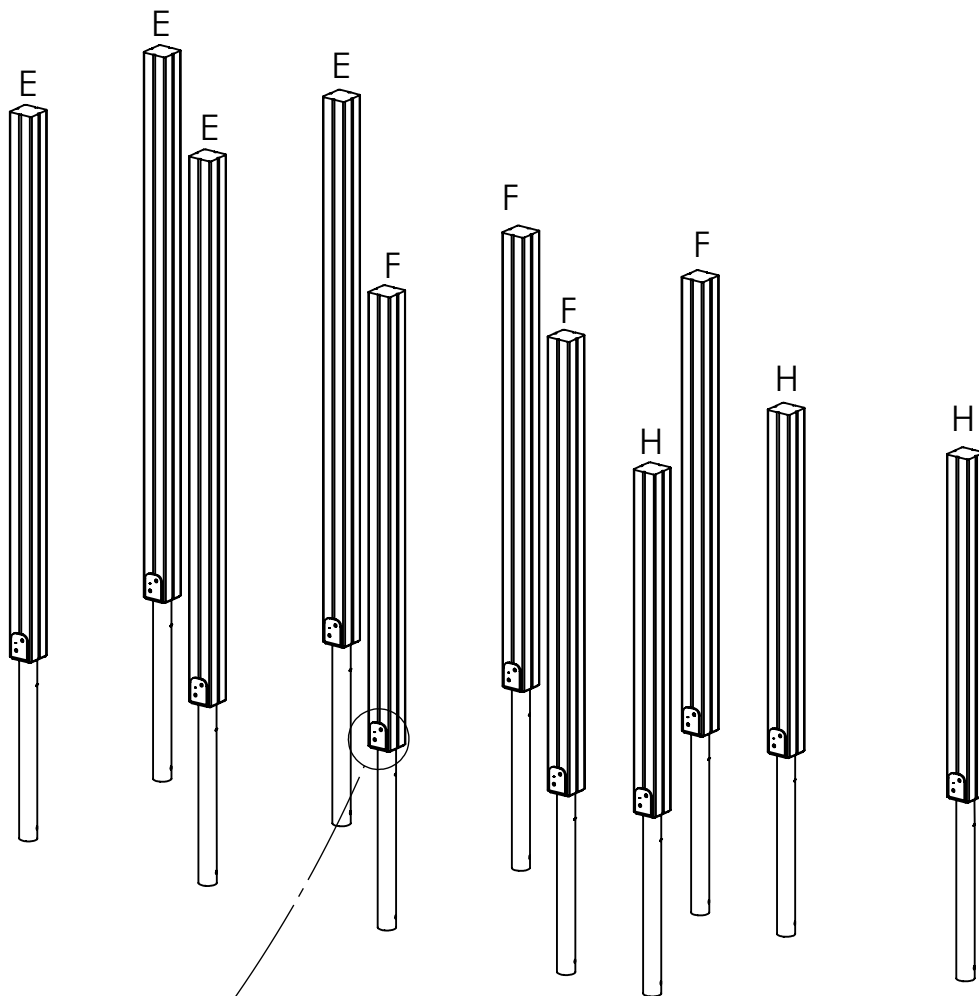
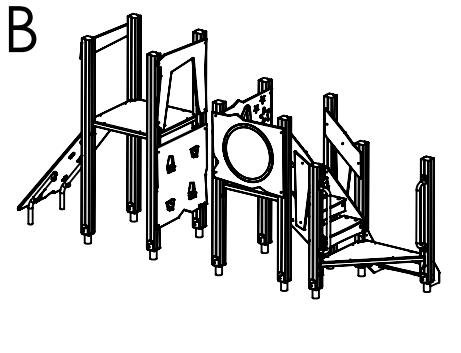


2x 6x80sxt



[cm]

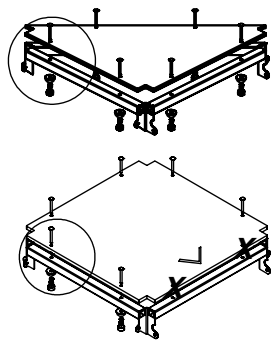
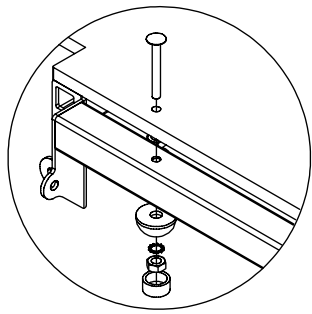
vinci
play



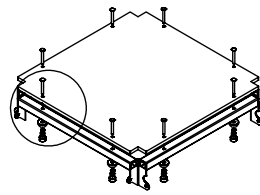
44x 8x50sxi

[cm]

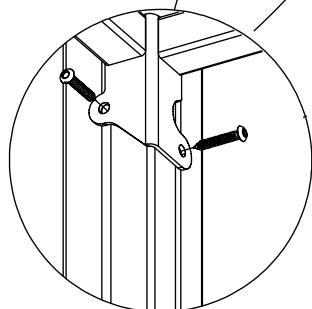
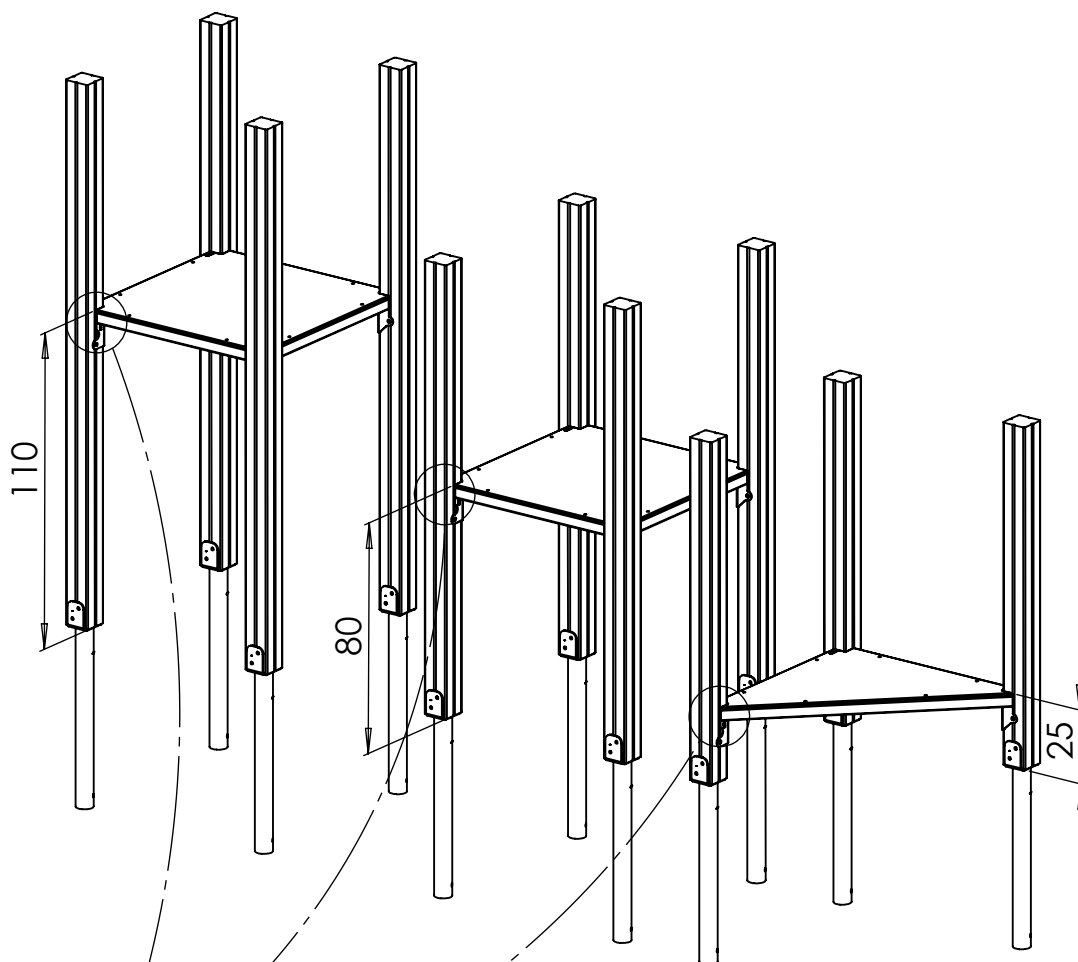
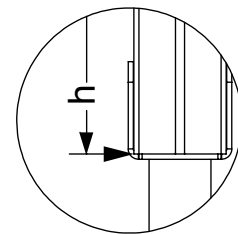
vinci
play



PLYWOOD HPL
2x WD74  WD75



PLYWOOD HPL
1x WD76  WD77



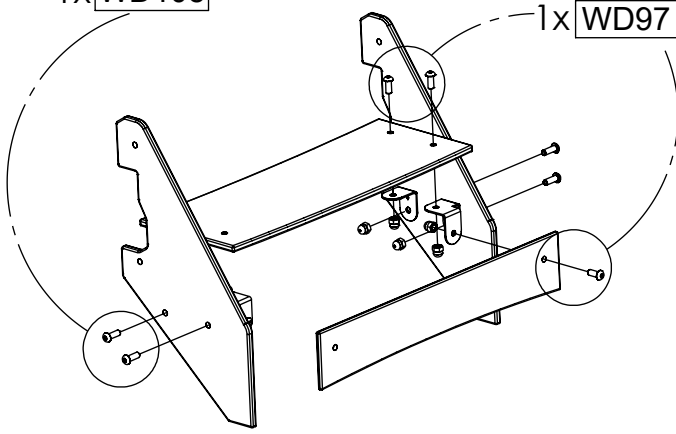
22x 8x50sxi

[cm]

vinci
play

1x WD105

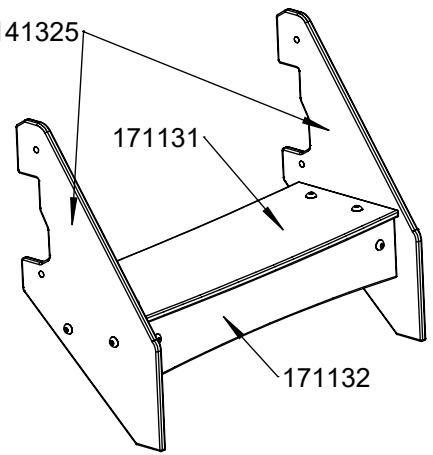
1x WD97



141325

171131

171132



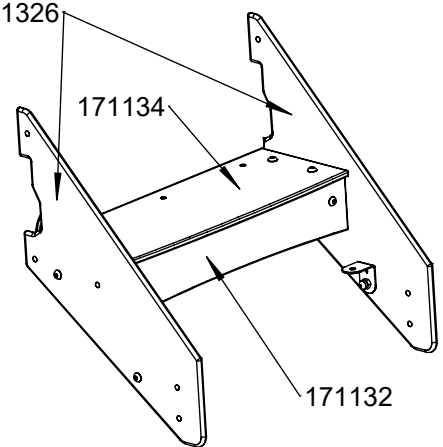
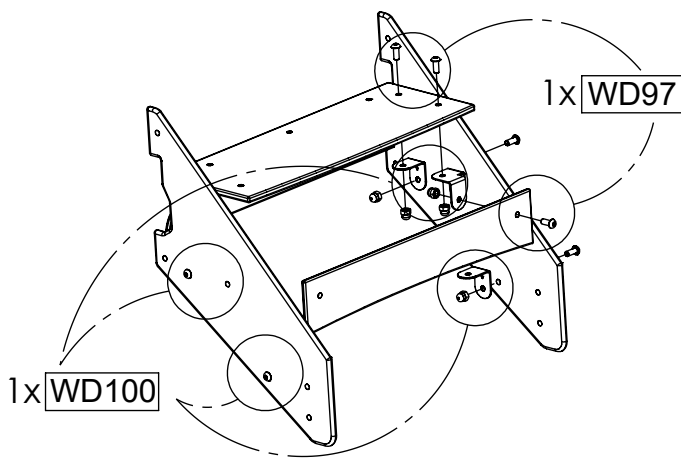
1x WD97

141326

171134

171132

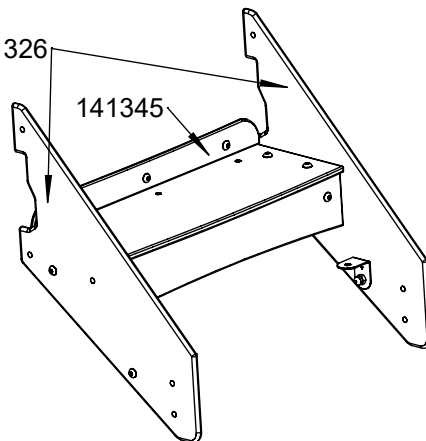
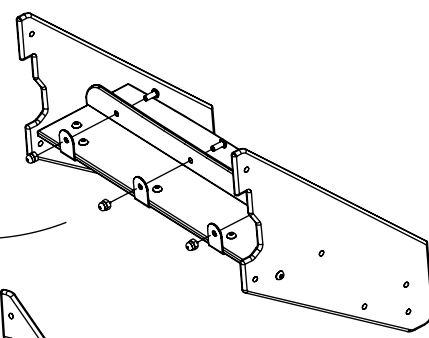
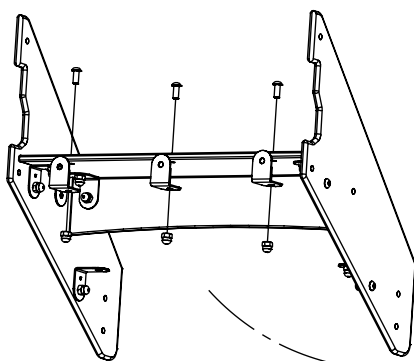
1x WD100

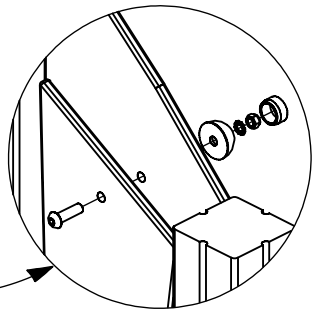
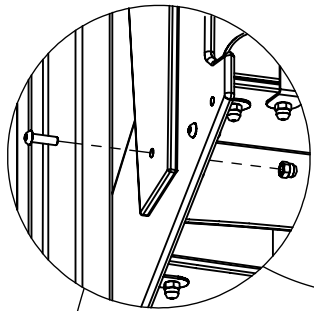
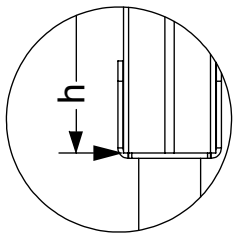


1x WD103

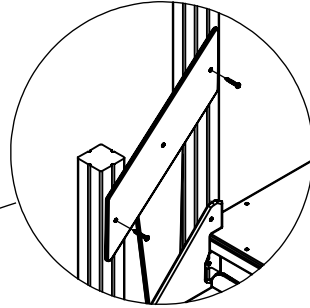
141326

141345

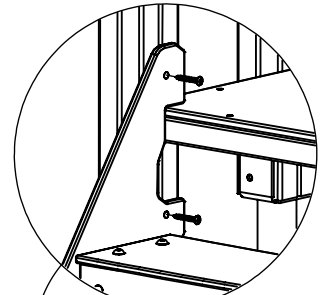




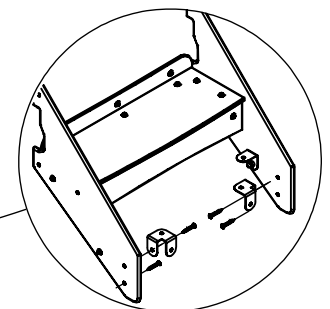
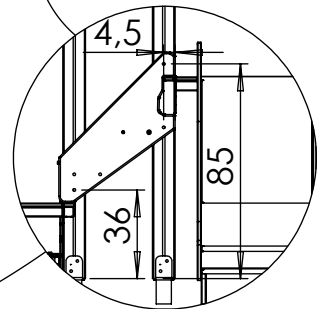
1x **WD100**



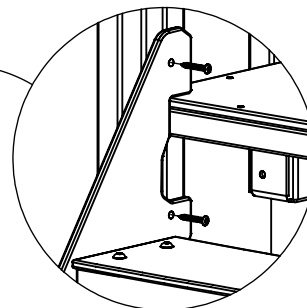
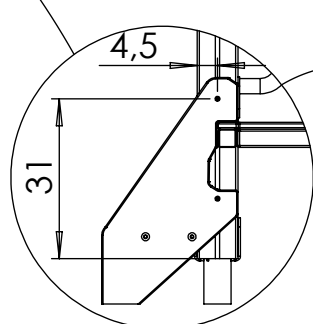
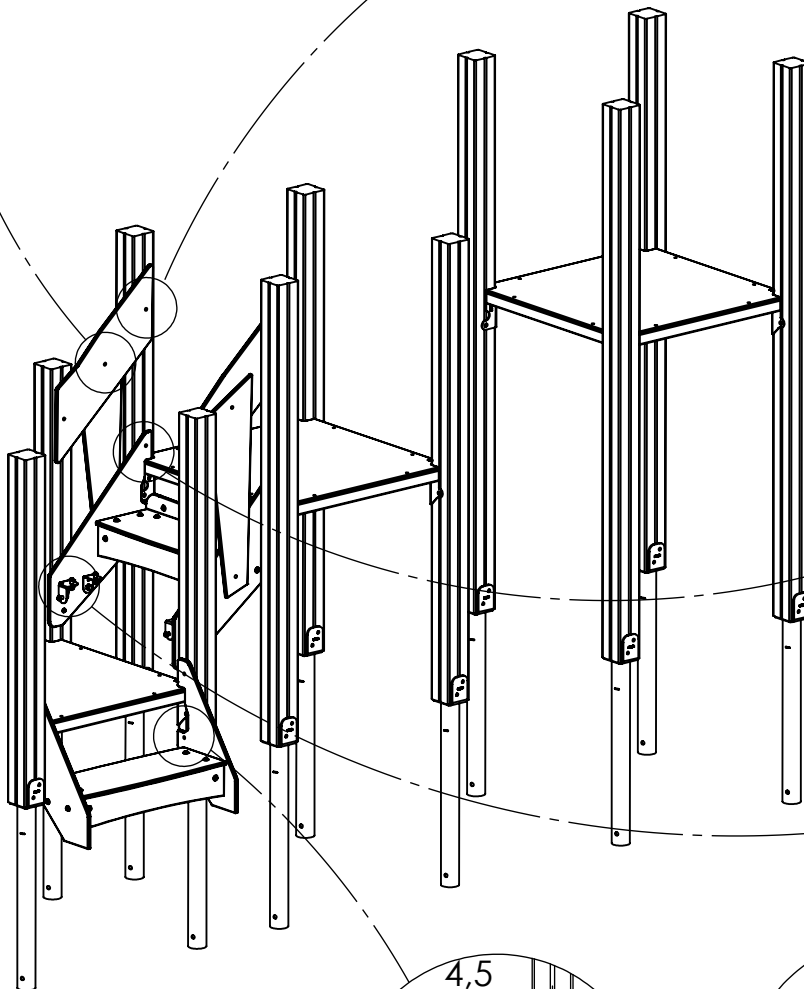
4x **8x50sxi**



4x **8x50sxi**



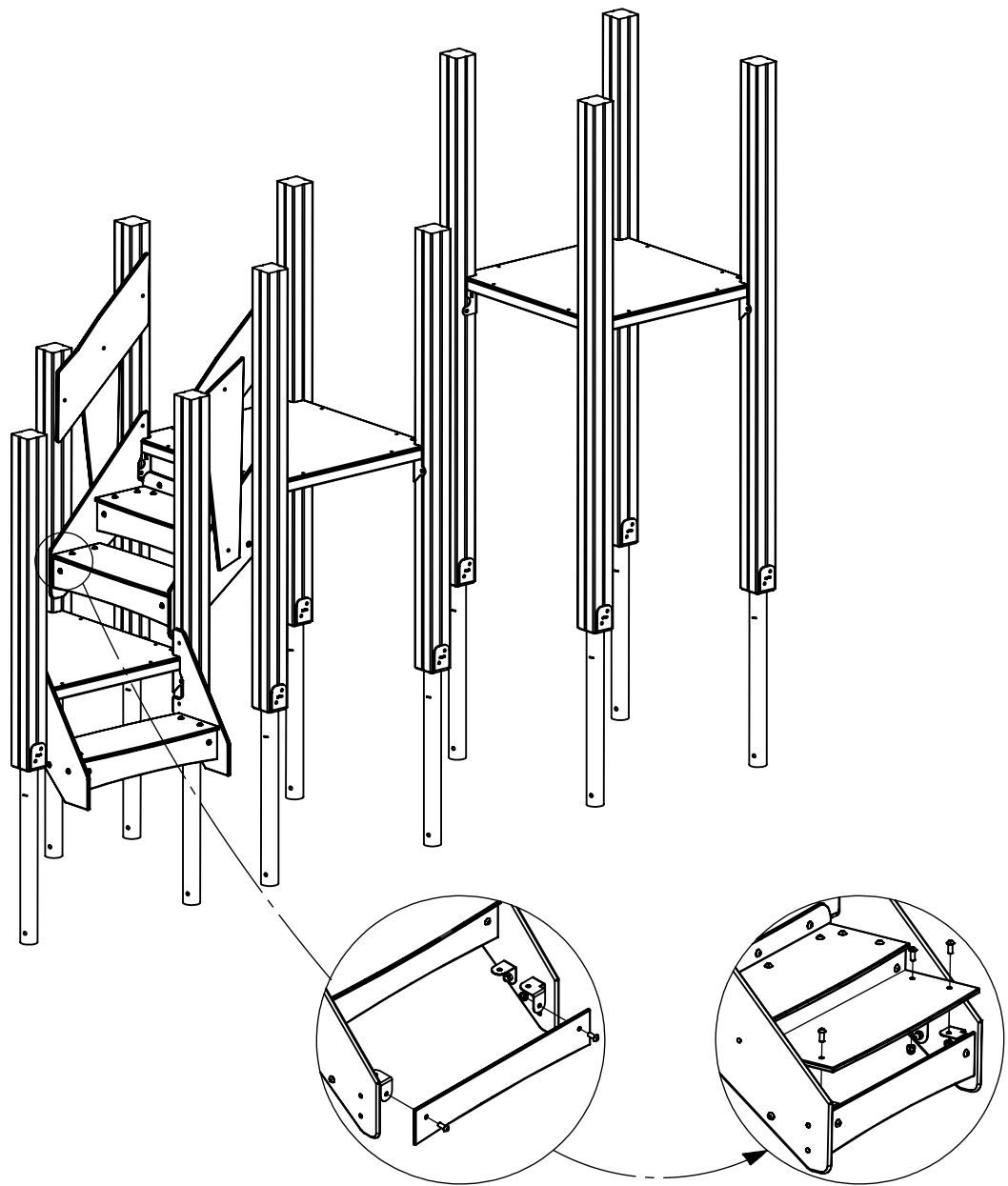
2x **8x50sxi**
1x **WD91**



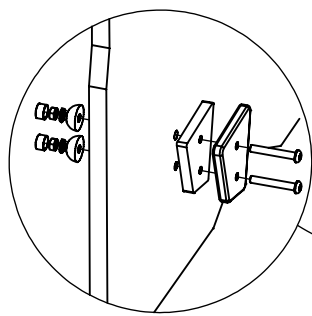
4x **8x50sxi**

[cm]

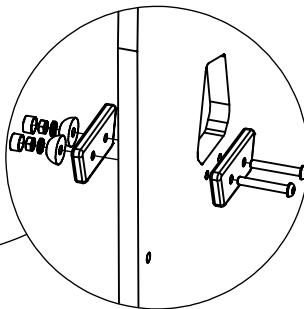
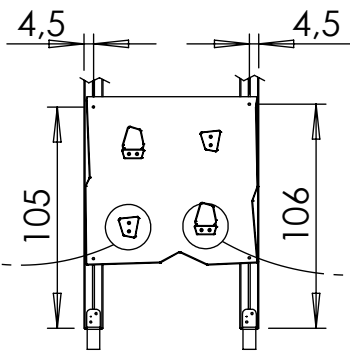
vinci
play



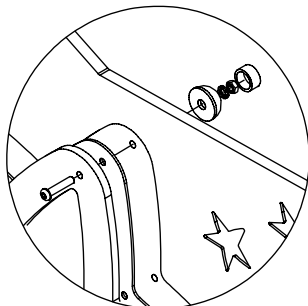
1x WD97



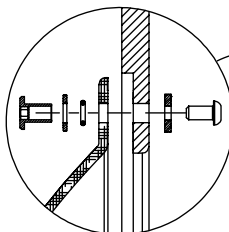
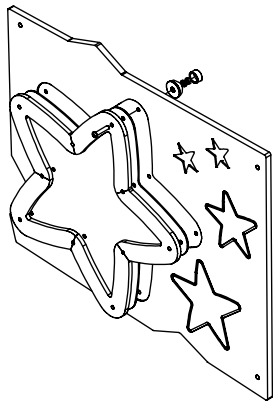
PLYWOOD
1x **WD15** ○ **WD16** HPL



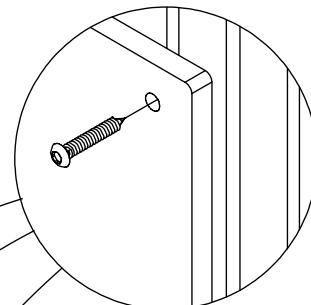
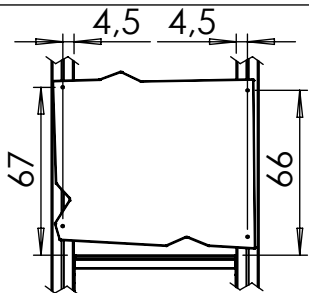
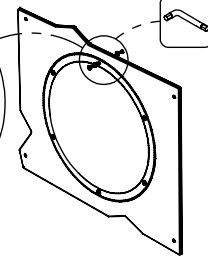
PLYWOOD
2x **WD35** ○ **WD36** HPL



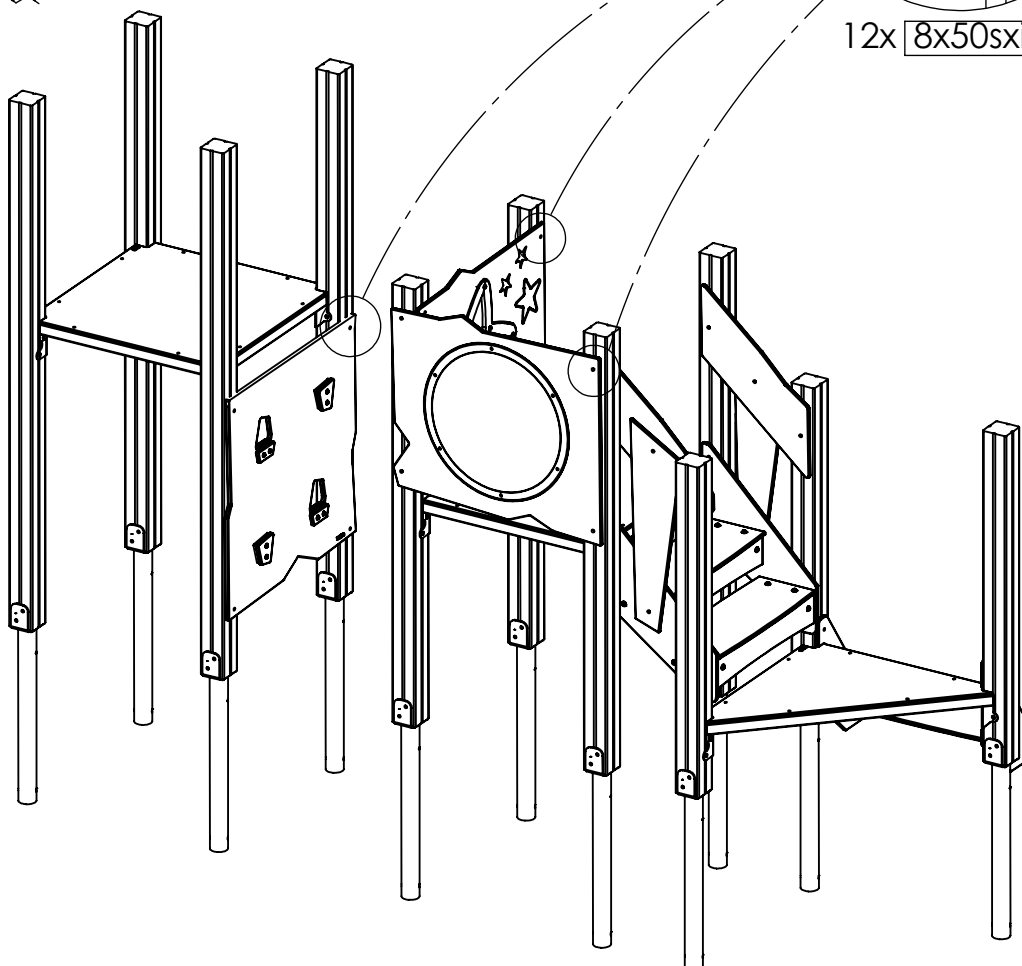
HDPE
1x **WD17** ○ **WD18** HPL



HDPE
1x **CE9** ○ **CL9** HPL

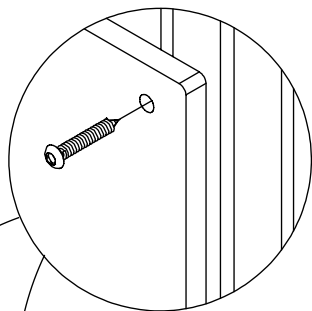
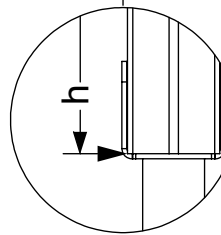
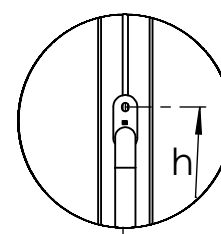
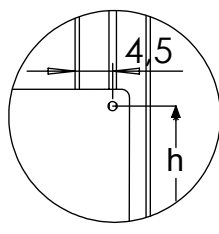
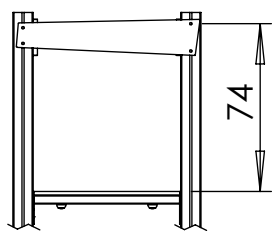
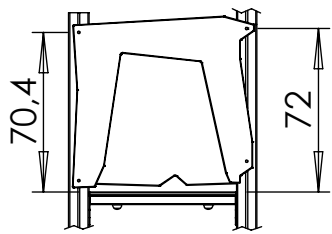


12x **8x50sxi**

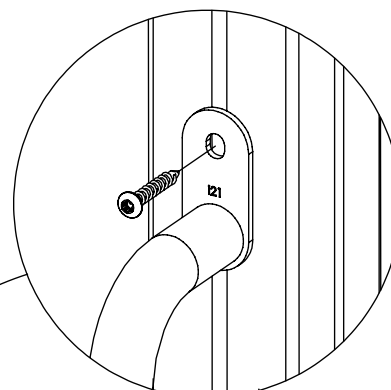
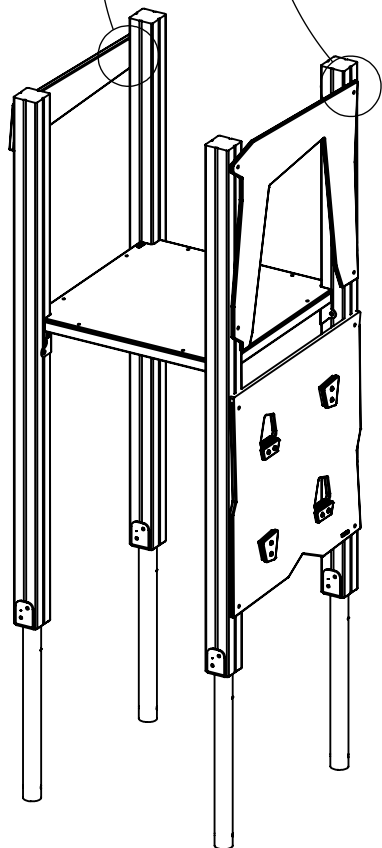


[cm]

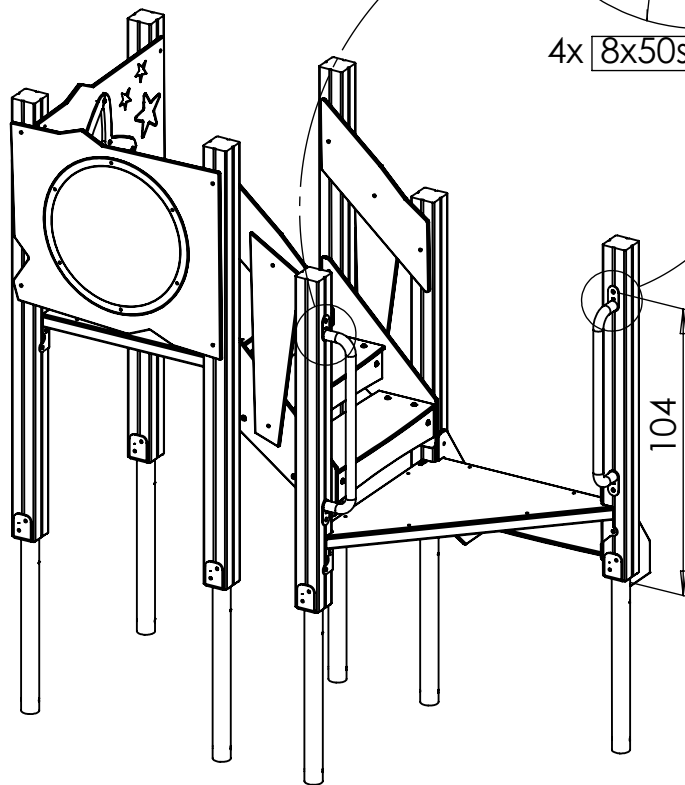
vinci
play



8x 8x50sxi



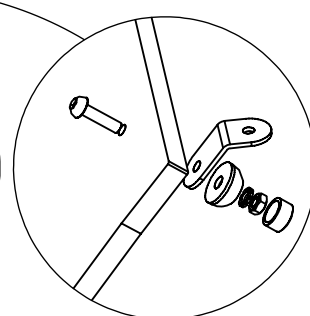
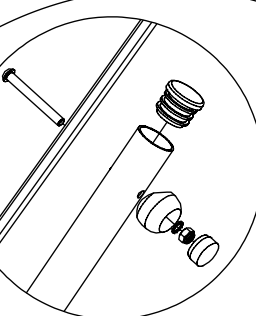
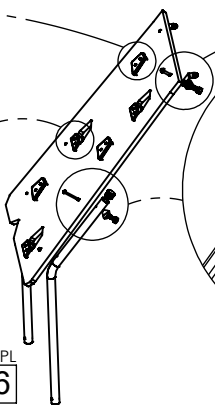
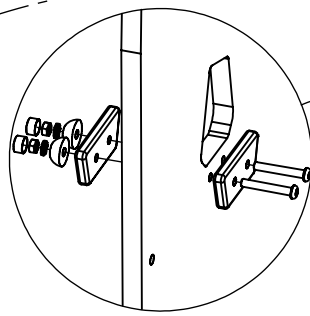
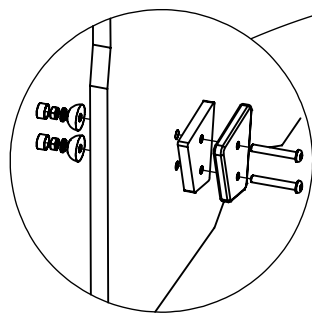
4x 8x50sxi



104

[cm]

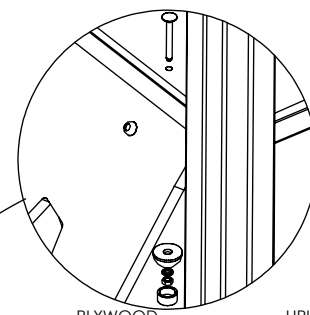
vinci
play



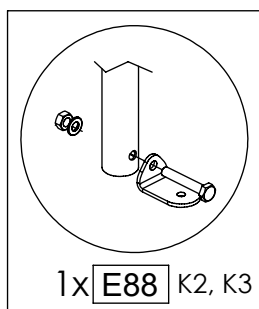
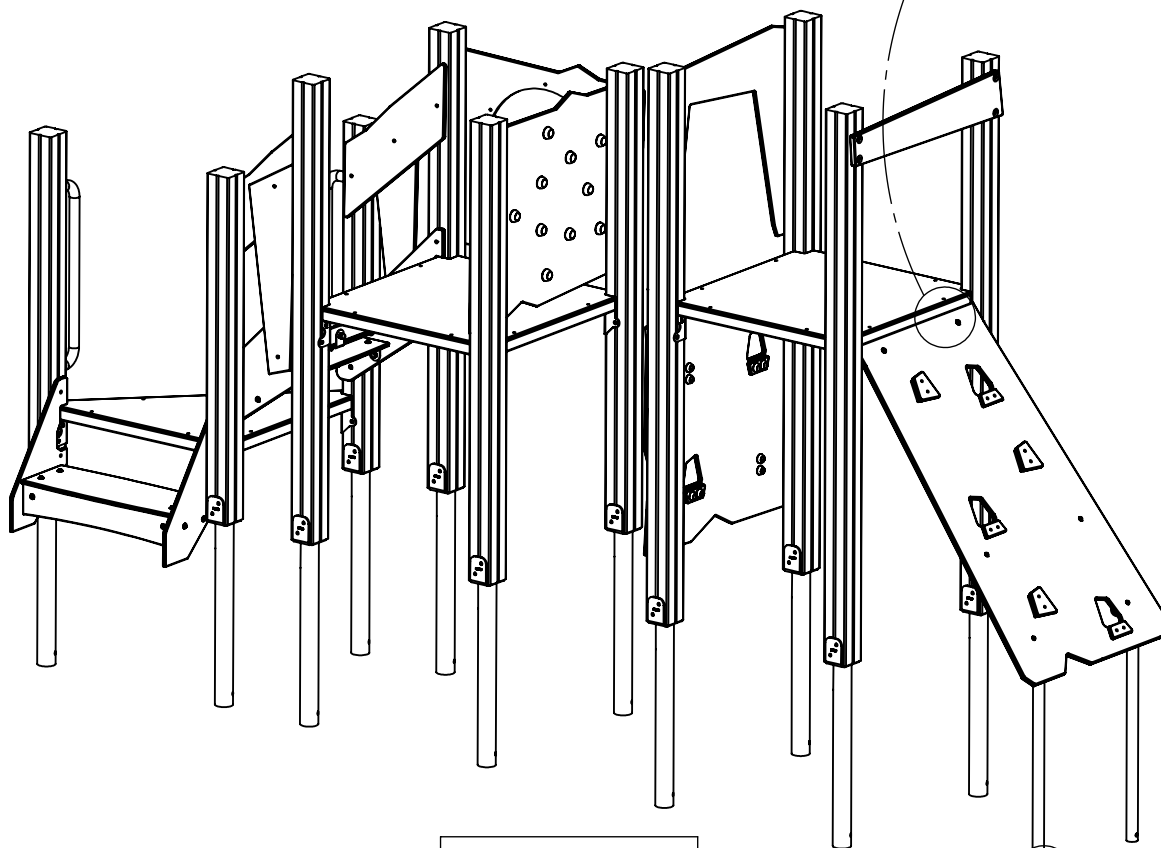
1x PLYWOOD WD15 HPL WD16

2x PLYWOOD WD35 HPL WD36

1x PLYWOOD WD37 HPL WD38



1x PLYWOOD WD37 HPL WD38

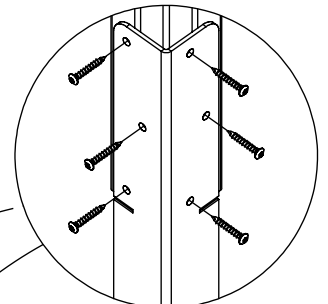
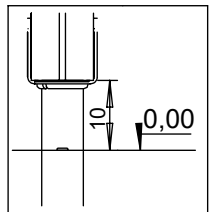
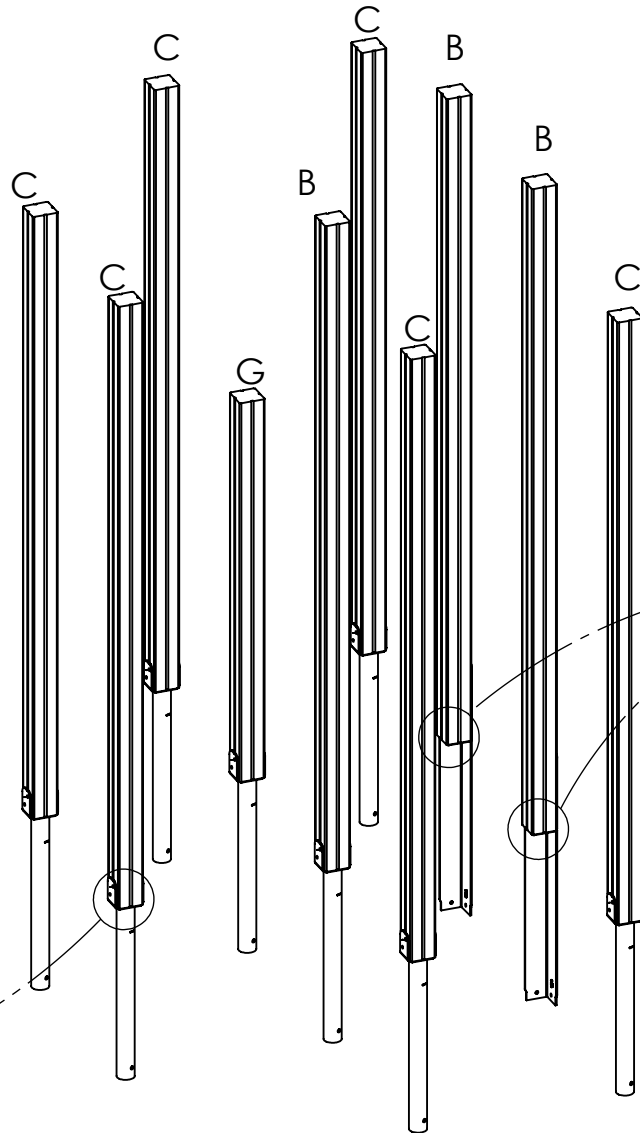
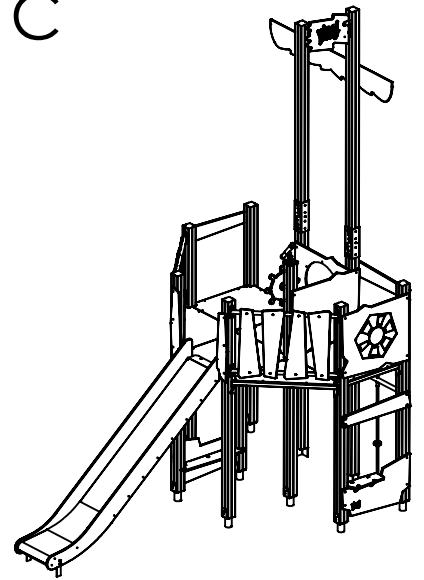


1x E88 K2, K3

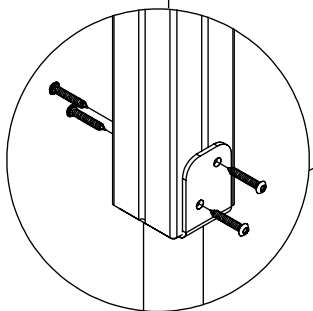
[cm]

vinci play

C



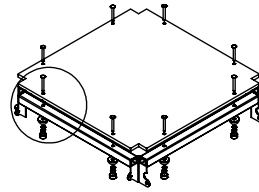
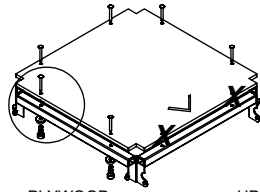
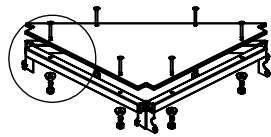
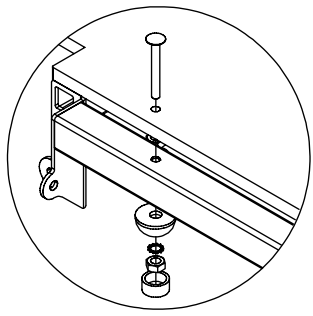
12x 8x50sxi



32x 8x50sxi

[cm]

vinci
play



4x

PLYWOOD	WD74
---------	------



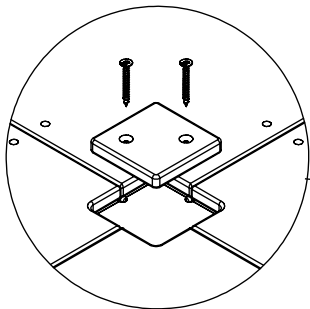
HPL	WD75
-----	------

2x

PLYWOOD	WD76
---------	------

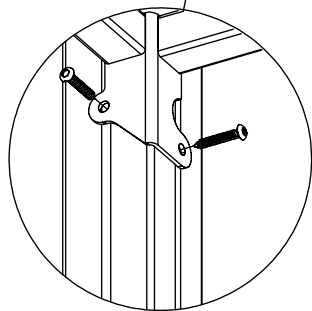
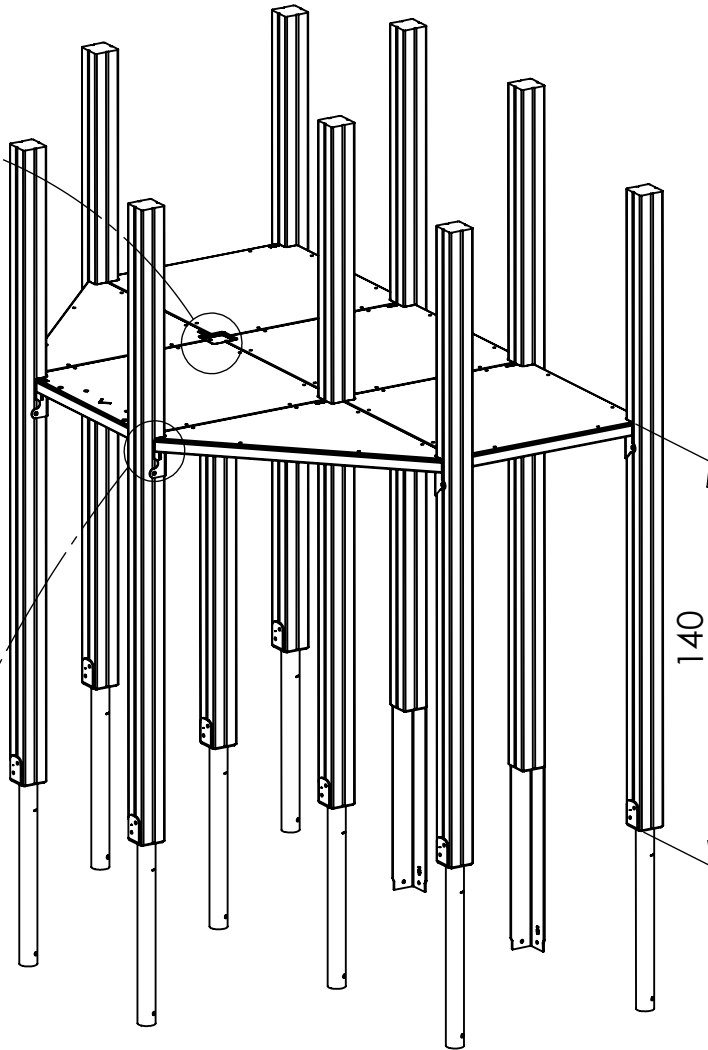


HPL	WD77
-----	------



1x

WD161

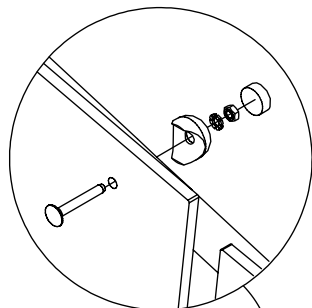
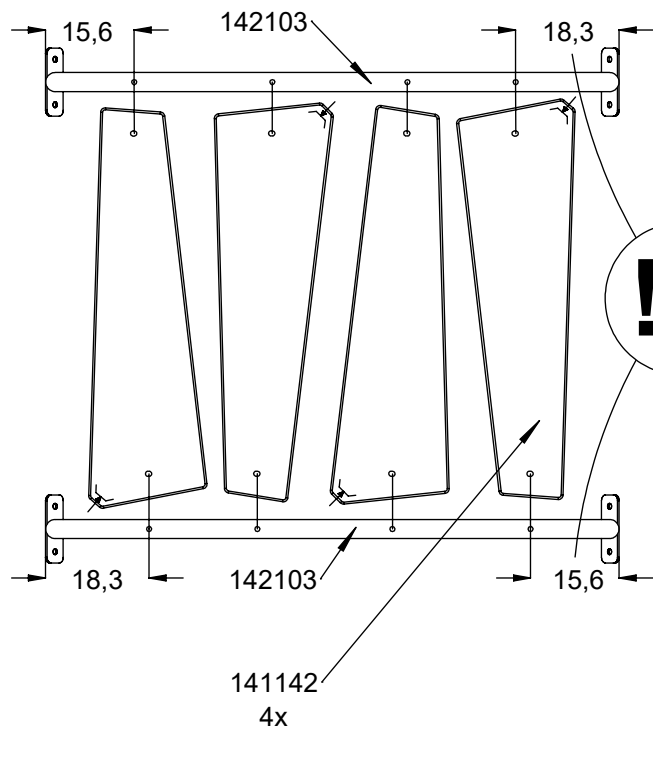


44x

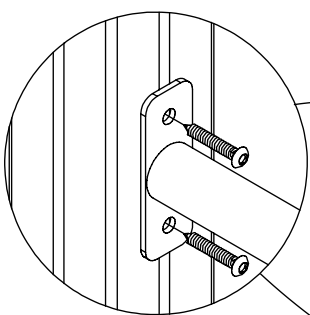
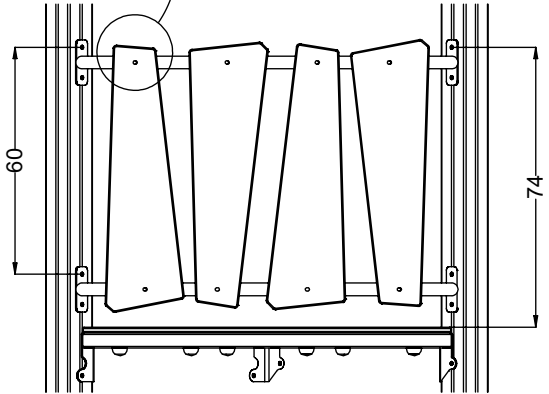
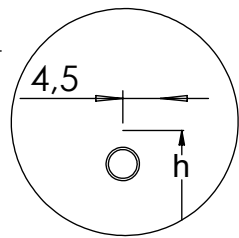
8x50sxi

[cm]

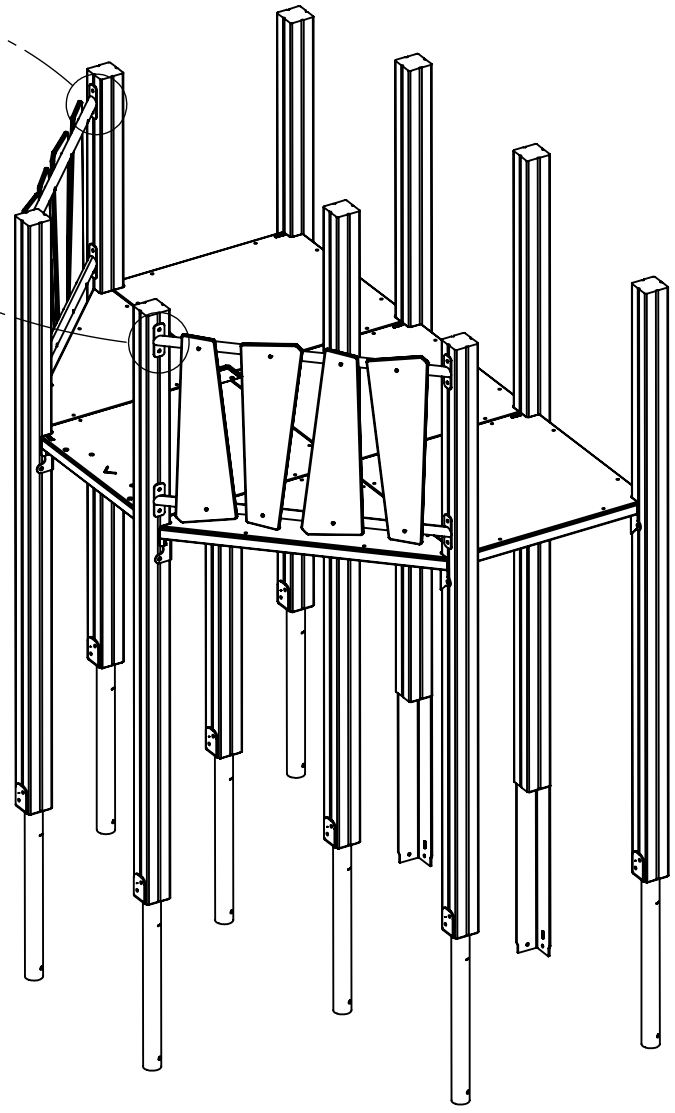
vinci
play



2x WD2

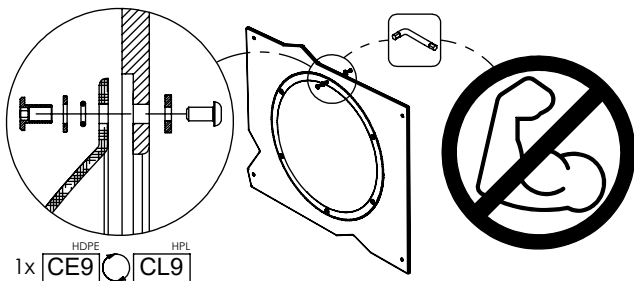


16x 8x50sxi

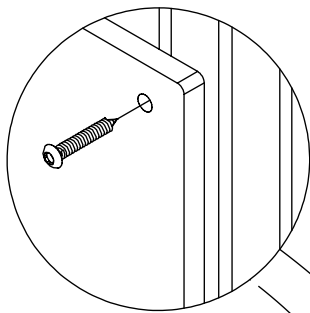
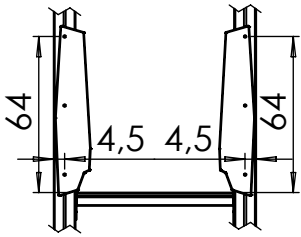
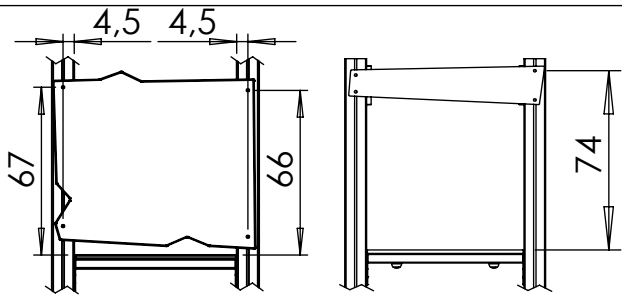


[cm]

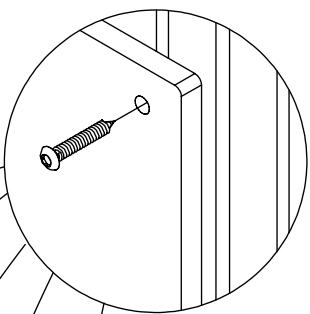
vinci
play



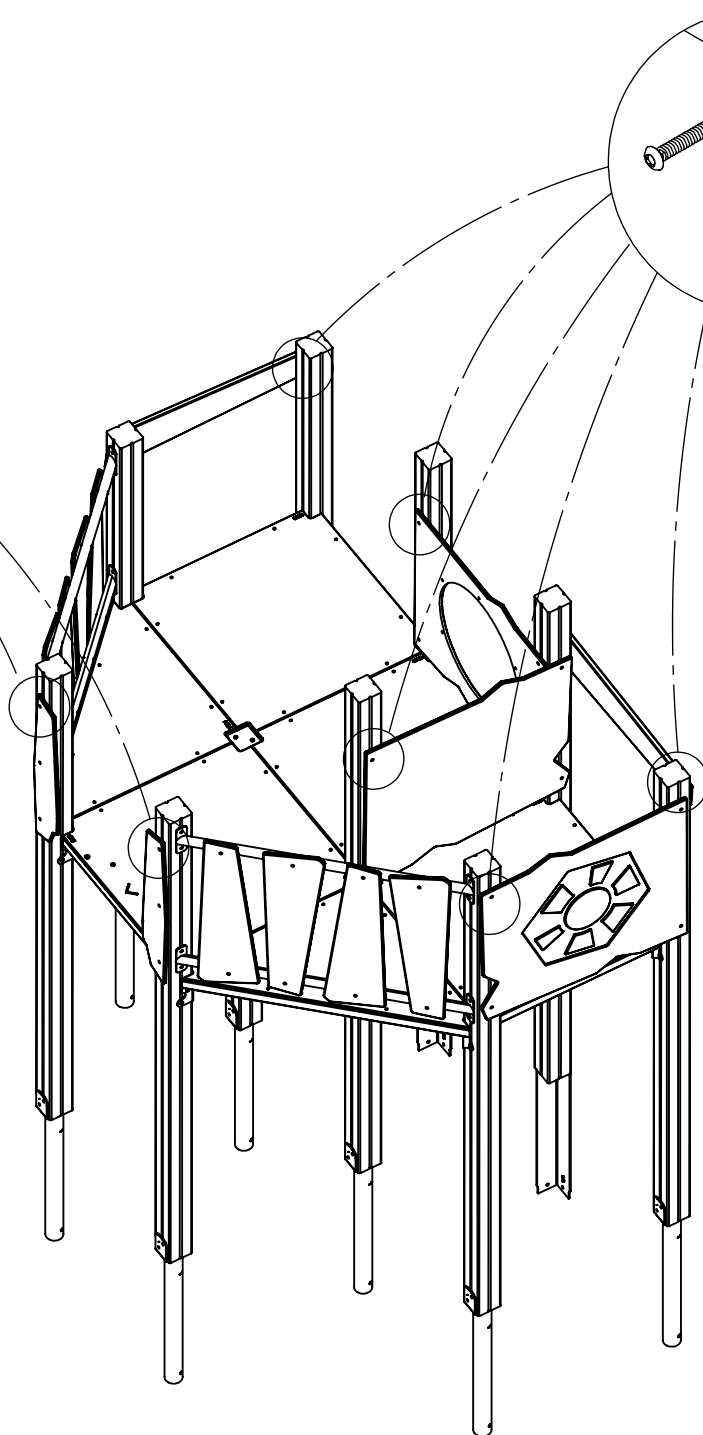
1x CE9 CL9



6x 8x50sxi



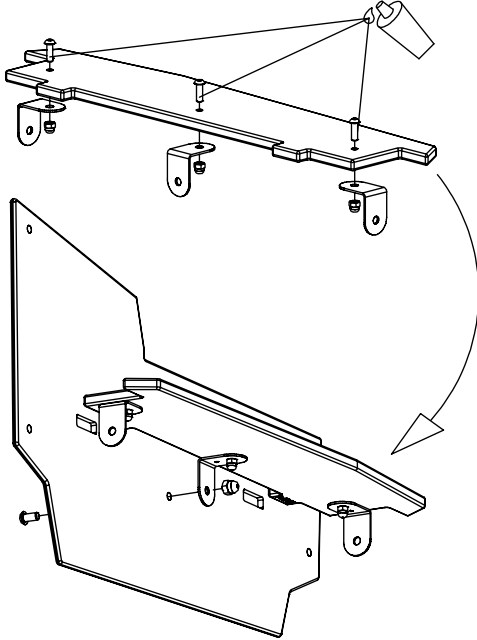
20x 8x50sxi



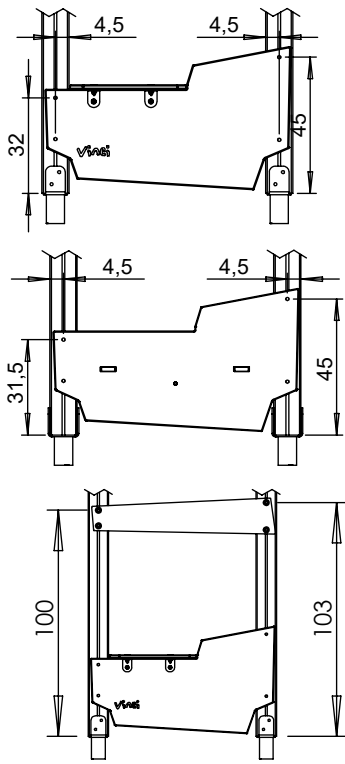
[cm]

vinci
play

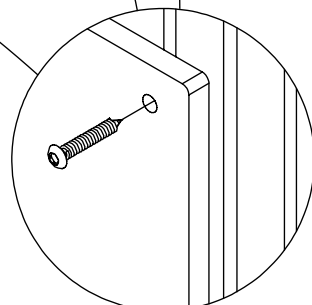
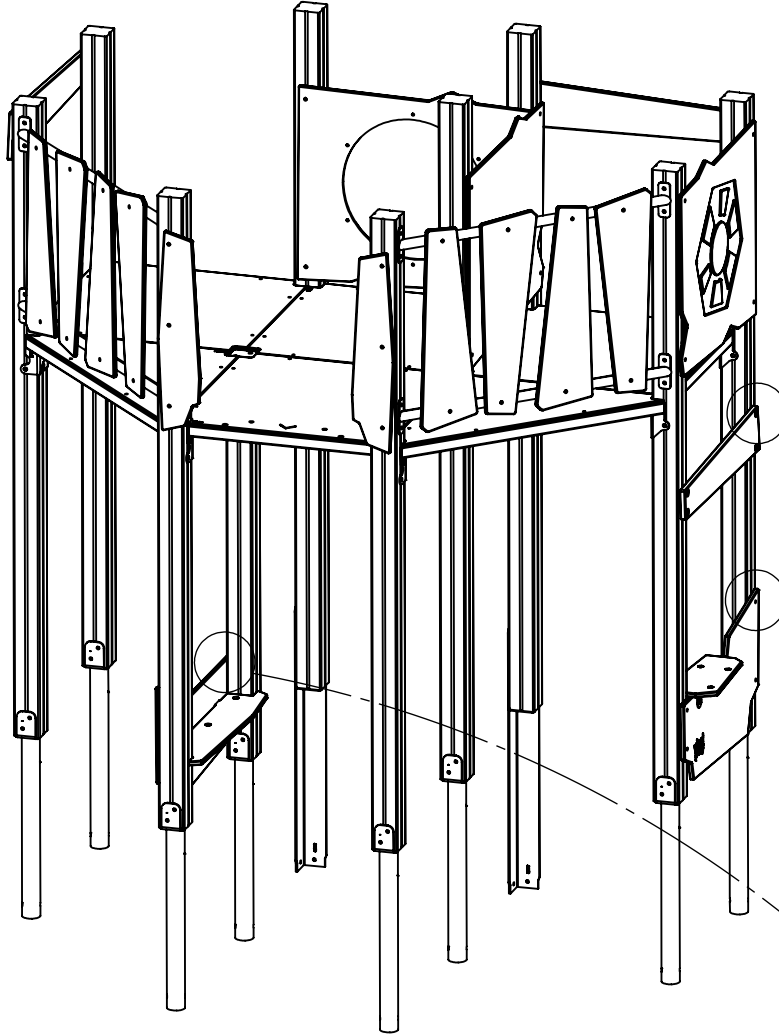
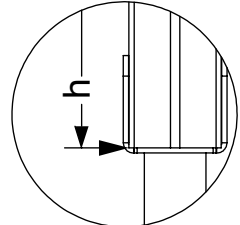
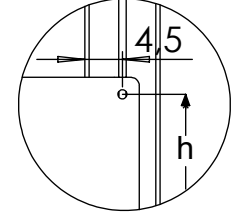
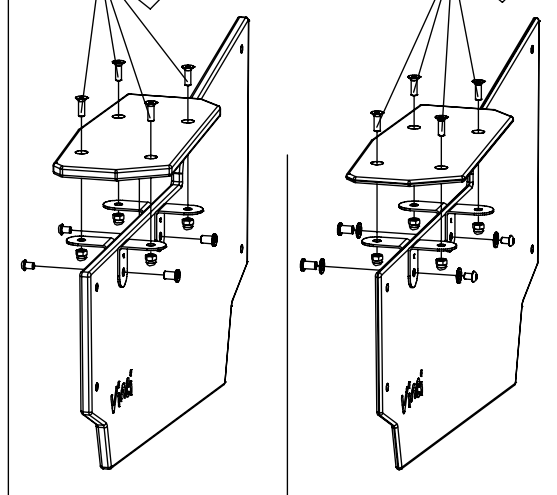
PLYWOOD
WD40 ○ HPL
WD41



HDPE
WD112 ○ HPL
WD137



HDPE
CE6 ○ HPL
CL6



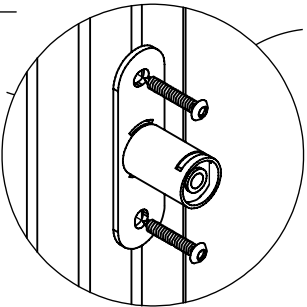
14x 8x50sxi

[cm]

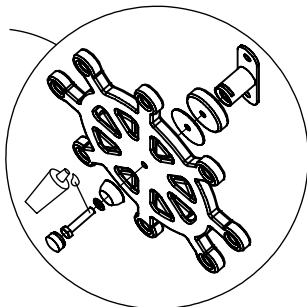
vinci
play

4.5

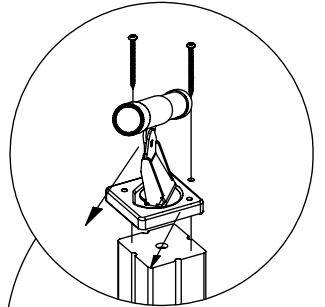
74



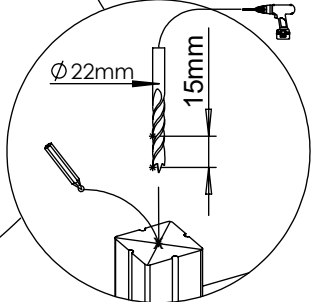
2x 8x50sxi



1x E150

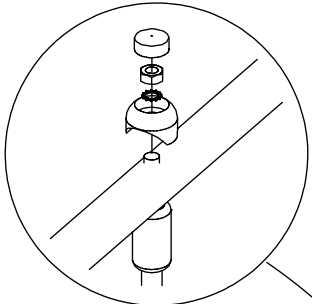


2x 6x80sxt

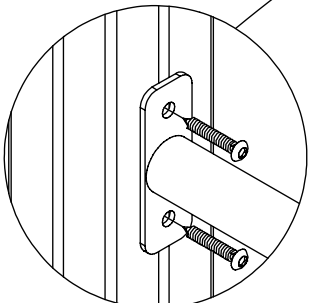


Ø22mm

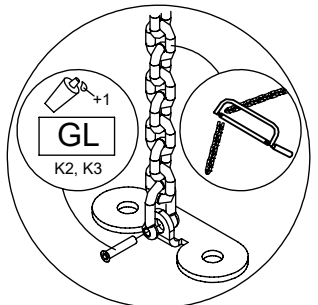
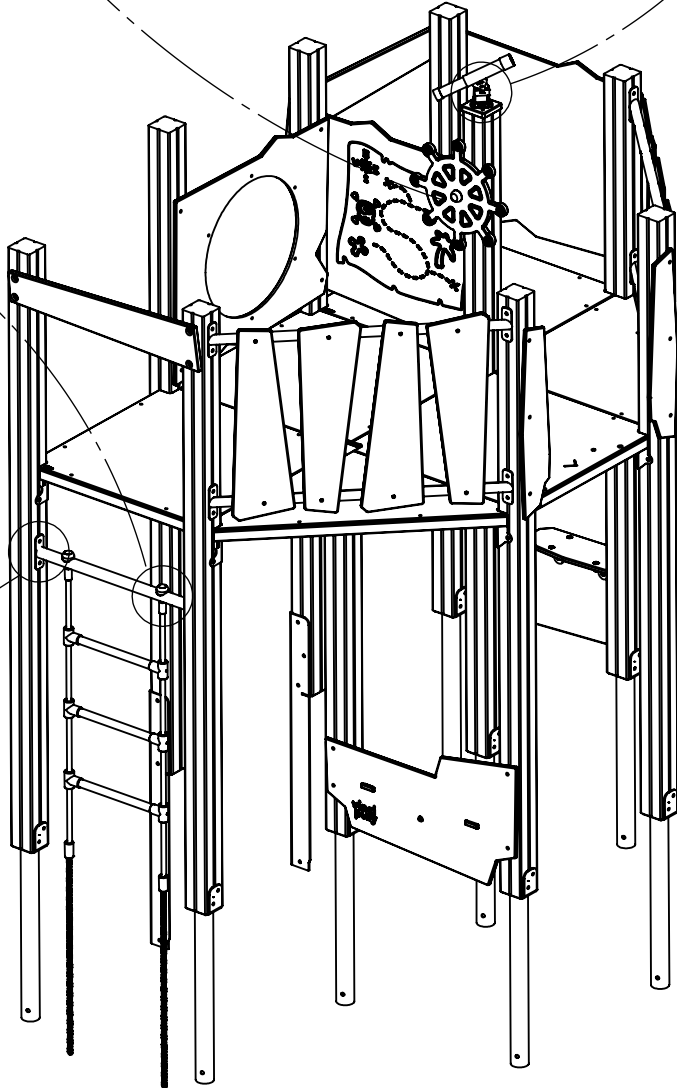
15mm



1x WD14-2



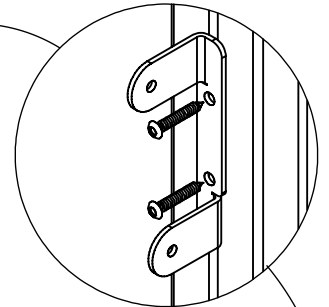
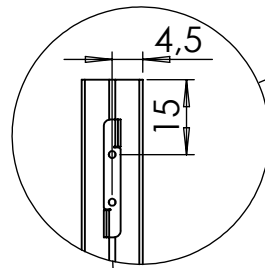
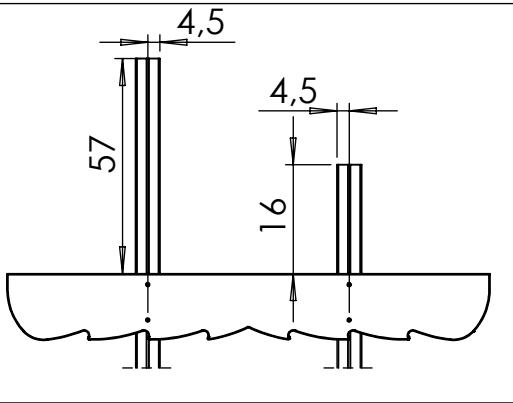
4x 8x50sxi



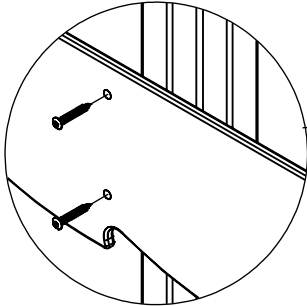
1x WD52

[cm]

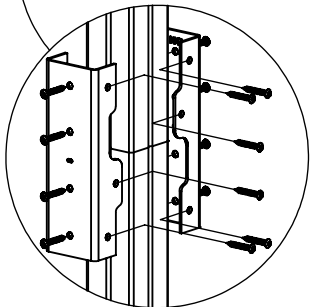
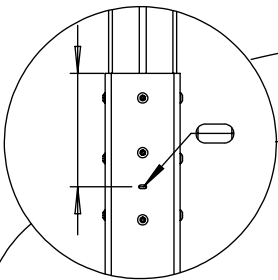
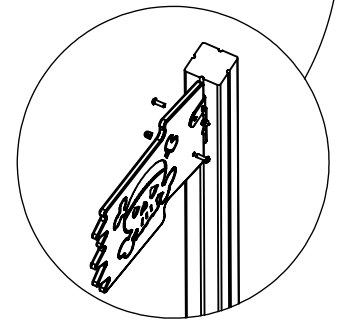
vinci play



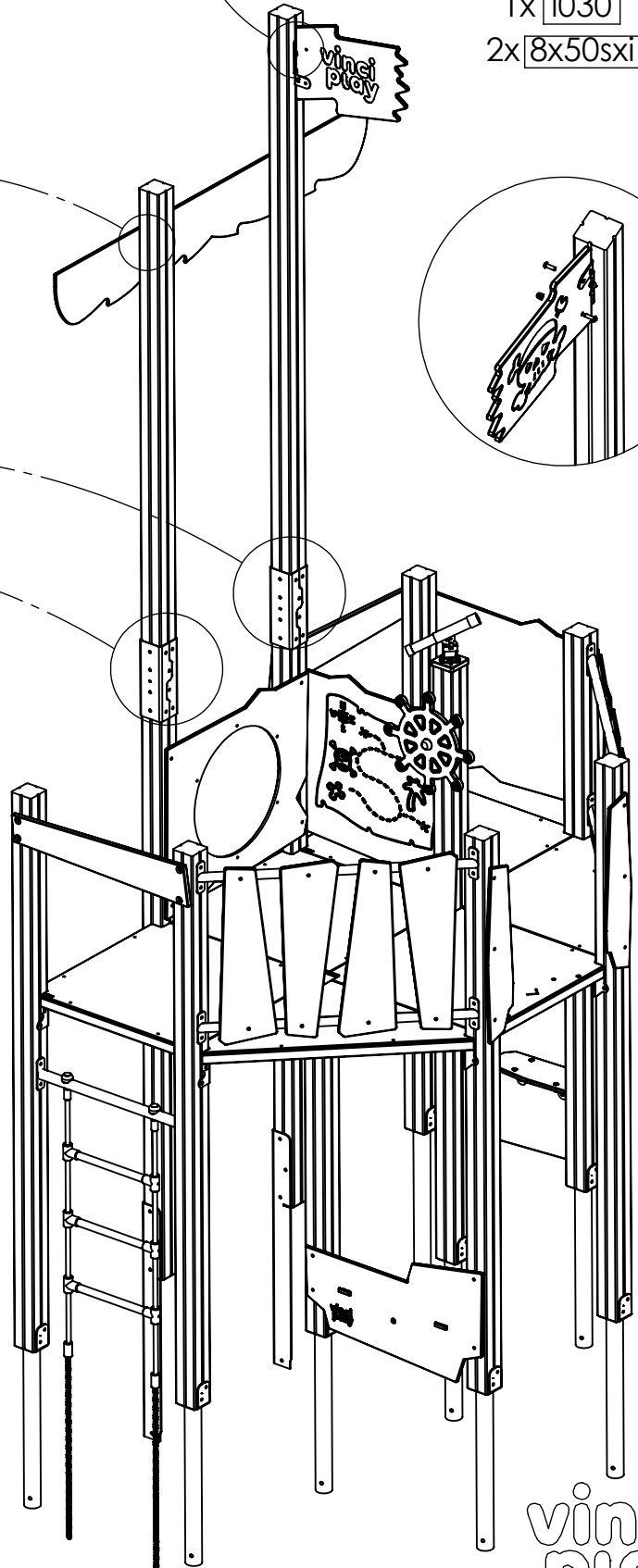
1x [i030]
2x [8x50sxi]



4x [8x50sxi]

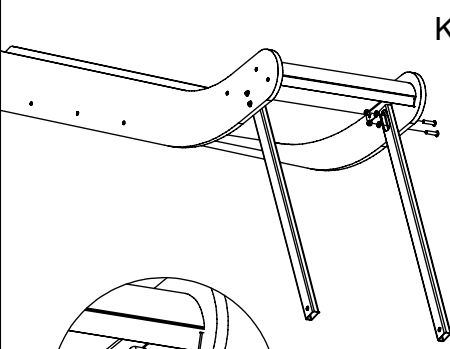


40x [8x50sxi]



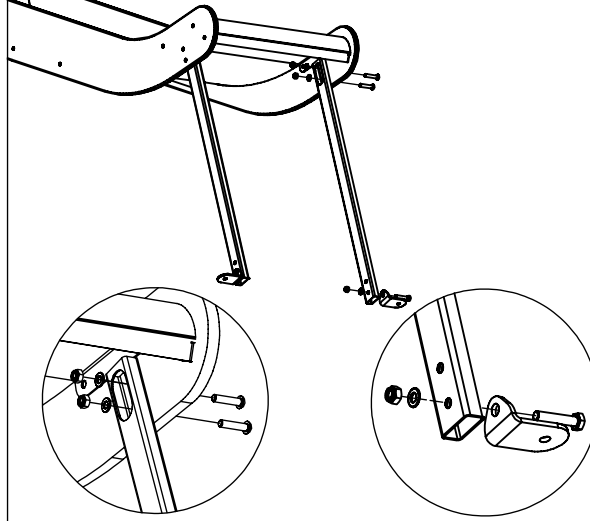
vinci
play

K1



1x E34

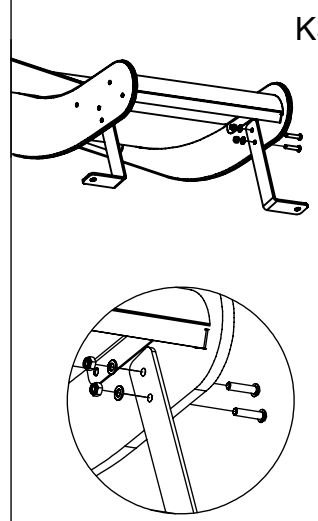
K2



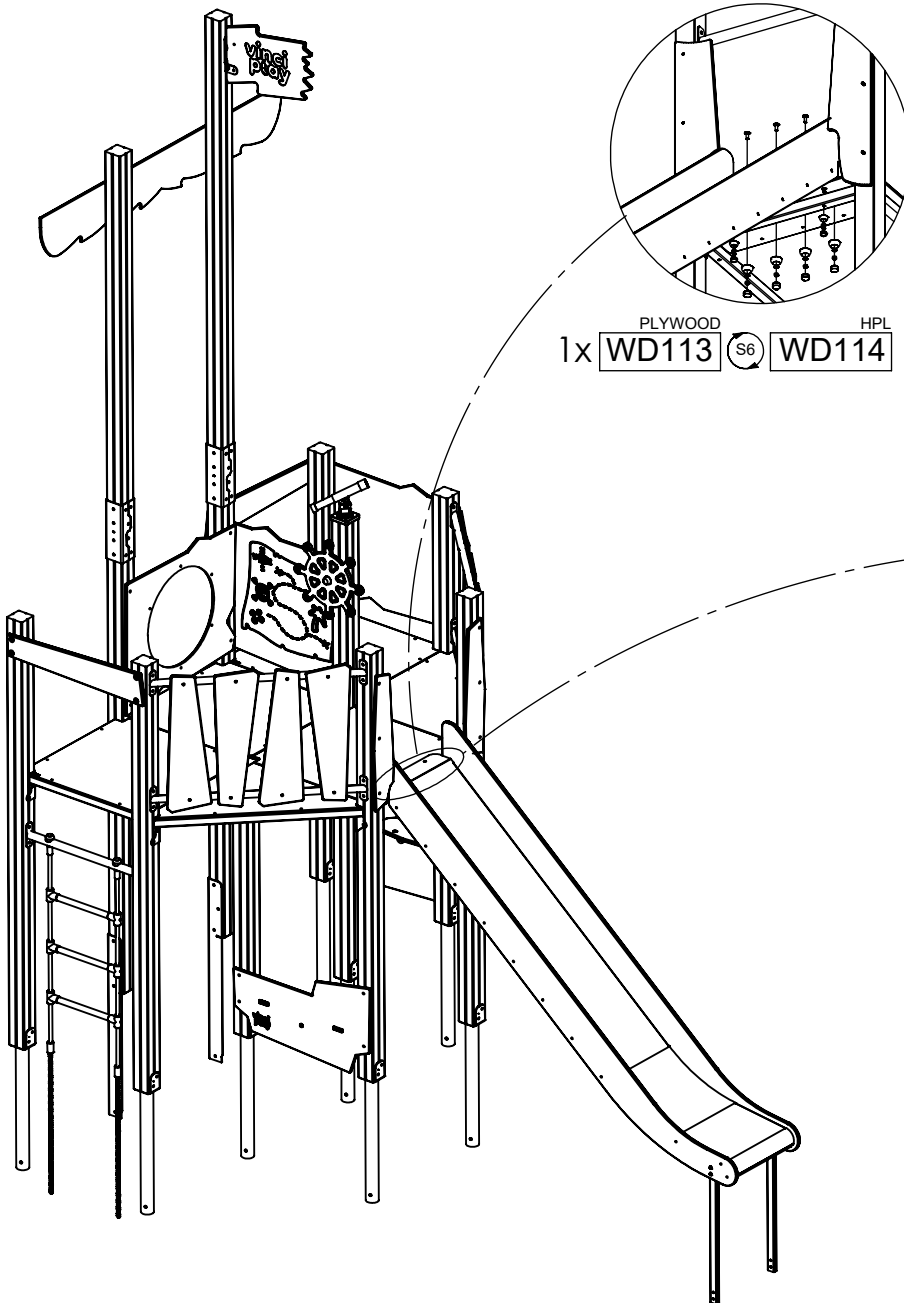
1x E35

1x E35

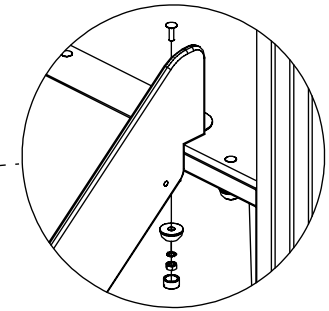
K3



1x E34



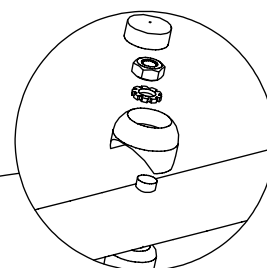
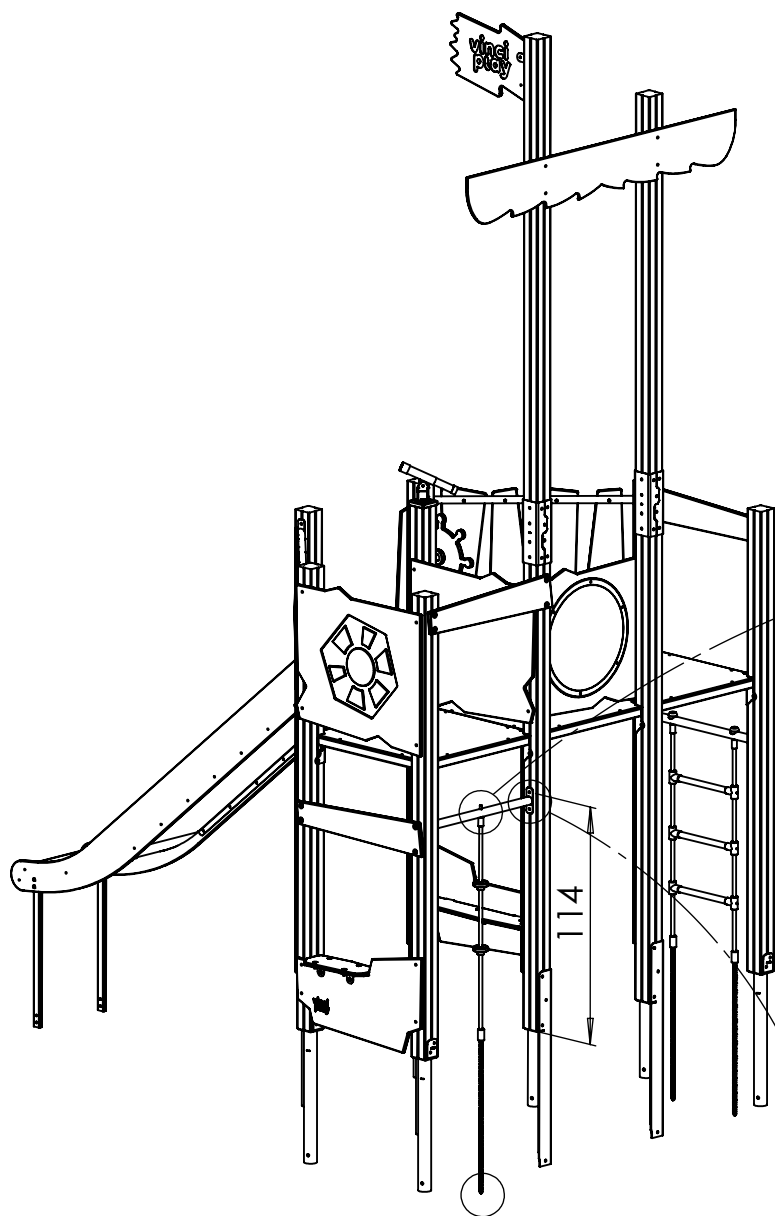
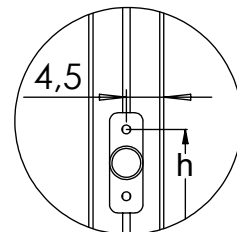
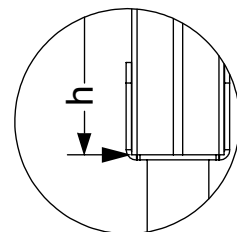
PLYWOOD 1x WD113 S6 HPL WD114



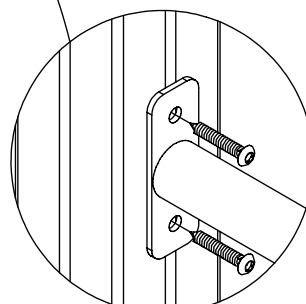
PLYWOOD 1x WD28 S1 HPL WD29

[cm]

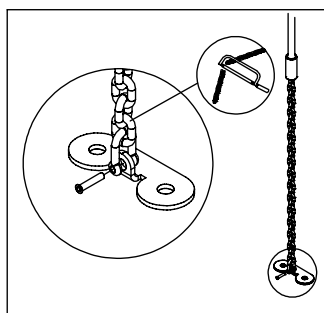
vinci play



1x **WD14-1**



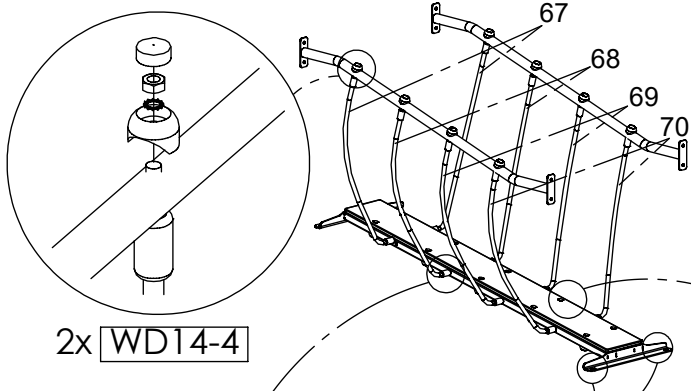
4x **8x50sxi**



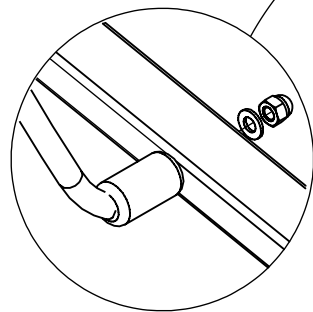
1x **WD52**

[cm]

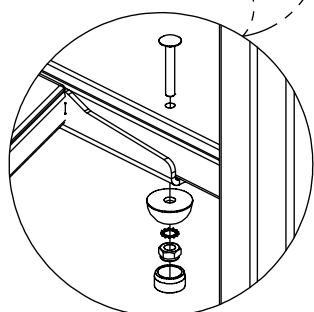
vinci
play



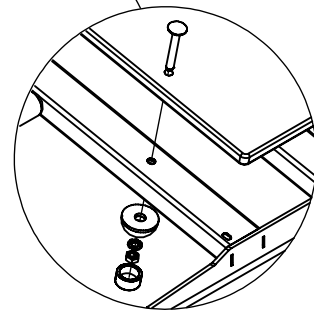
2x WD14-4



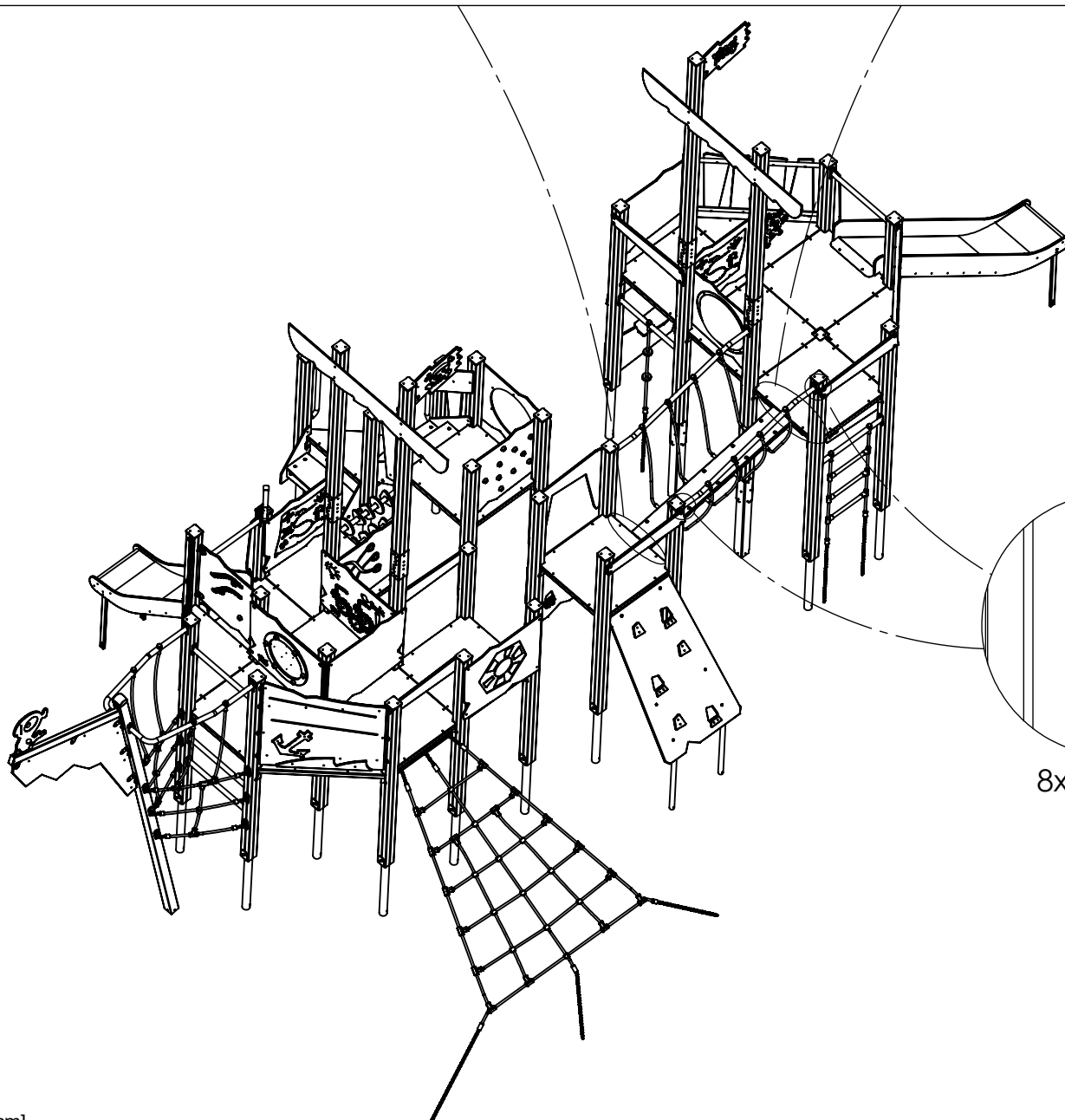
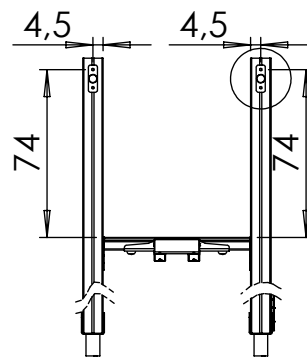
1x E10



2x PLYWOOD WD42 HPL WD43



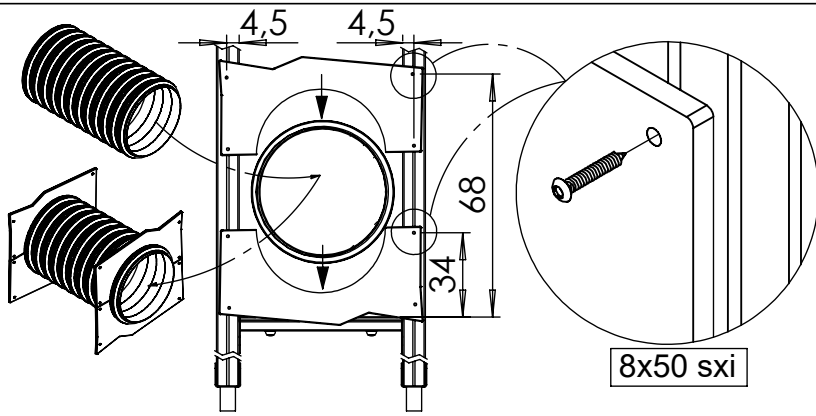
1x PLYWOOD PS52 HPL PH52



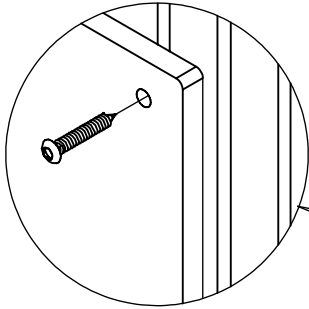
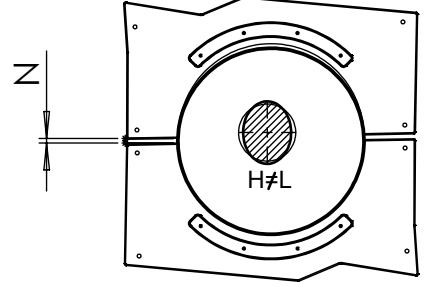
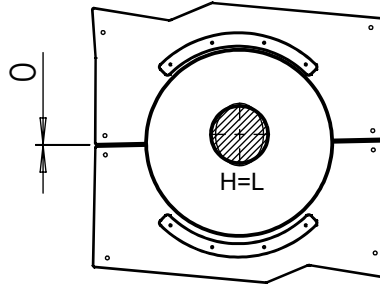
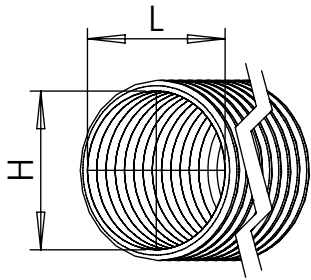
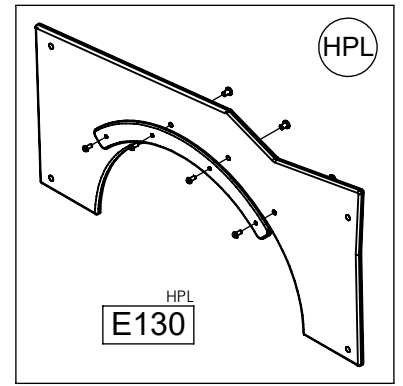
8x 8x50sxi

[cm]

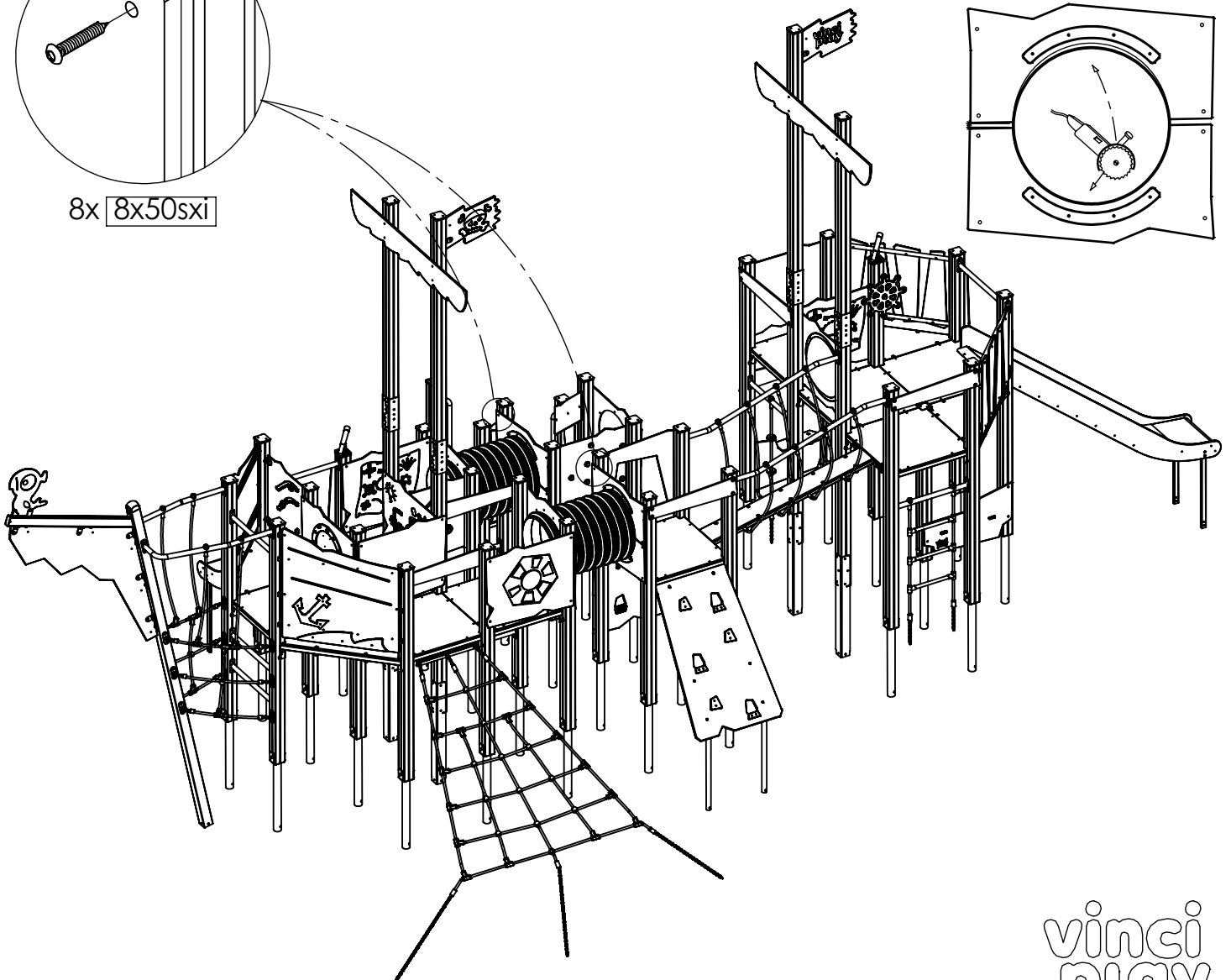
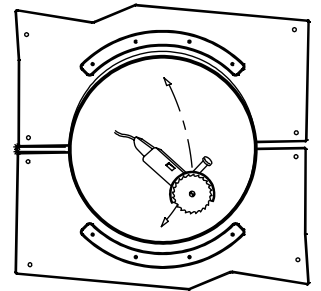
vinci
play



8x50 sxi

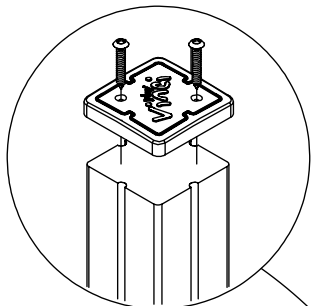


8x 8x50sxi

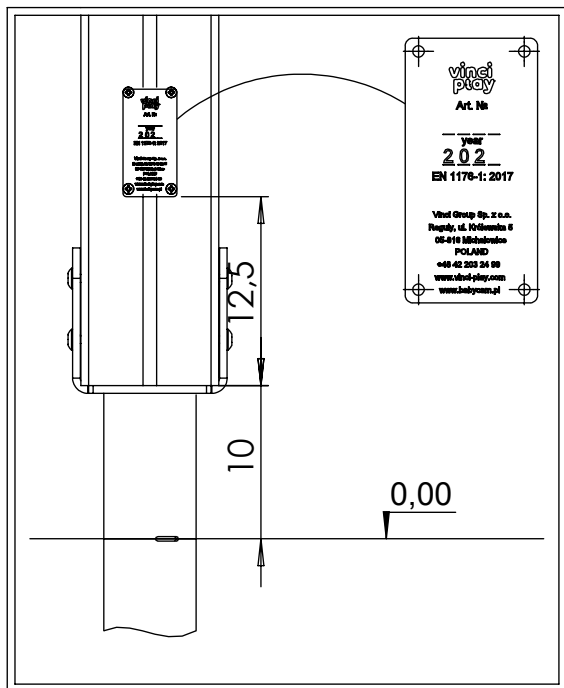
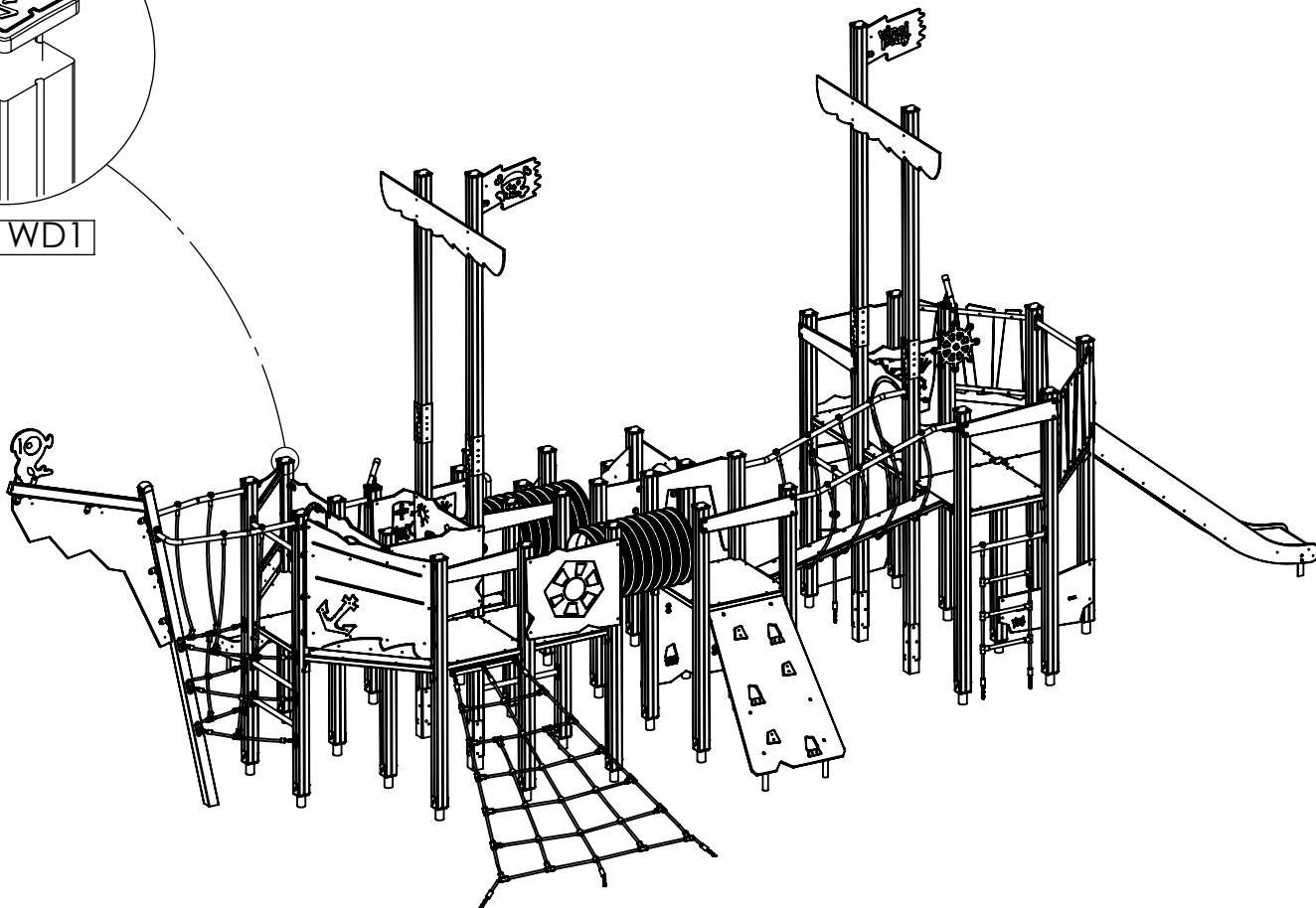


[cm]

vinci
play



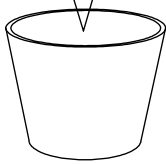
32x WDT



V001

Part No:
000000-
00000

000000-00000



[cm]

vinci
play