



FUNDICIÓ DÚCTIL BENITO
Tel. 93 852 10 00

Bike Rack

DESIGNER: Departamento I + D de F.D.B. 1998

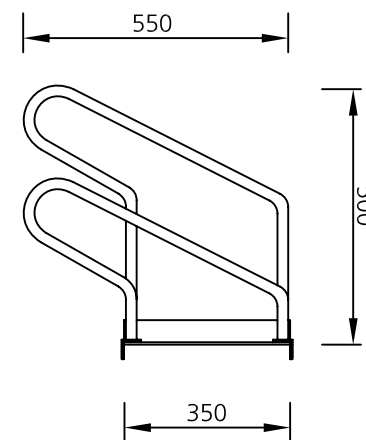
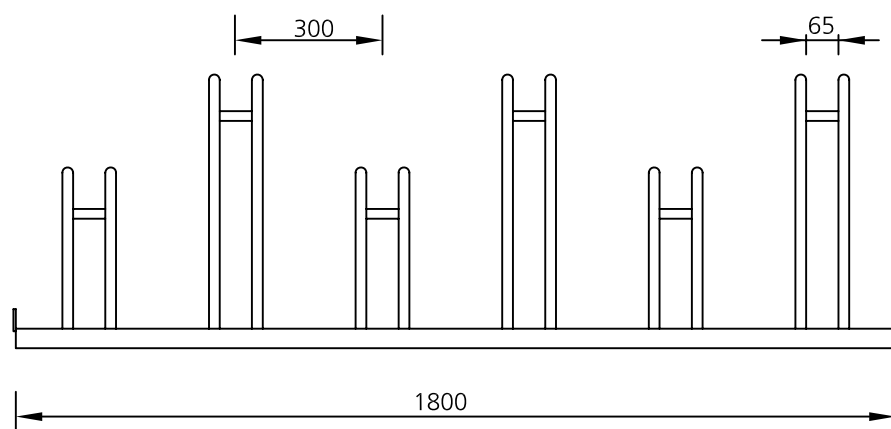
MANUFACTURER: © Fundicio Ductil Benito

DIMENSIONS:

SCALE: 1/15

VBF06

REFERENCE



MATERIAL: Made of metal.
FINISH: Hot deep galvanisation.
ANCHORAGE: M8 expansion bolts for anchoring to the ground.

If it is needed, ask special sizes and different width wheels.